

# YAMAHA

## Multitrack Cassette Recorder

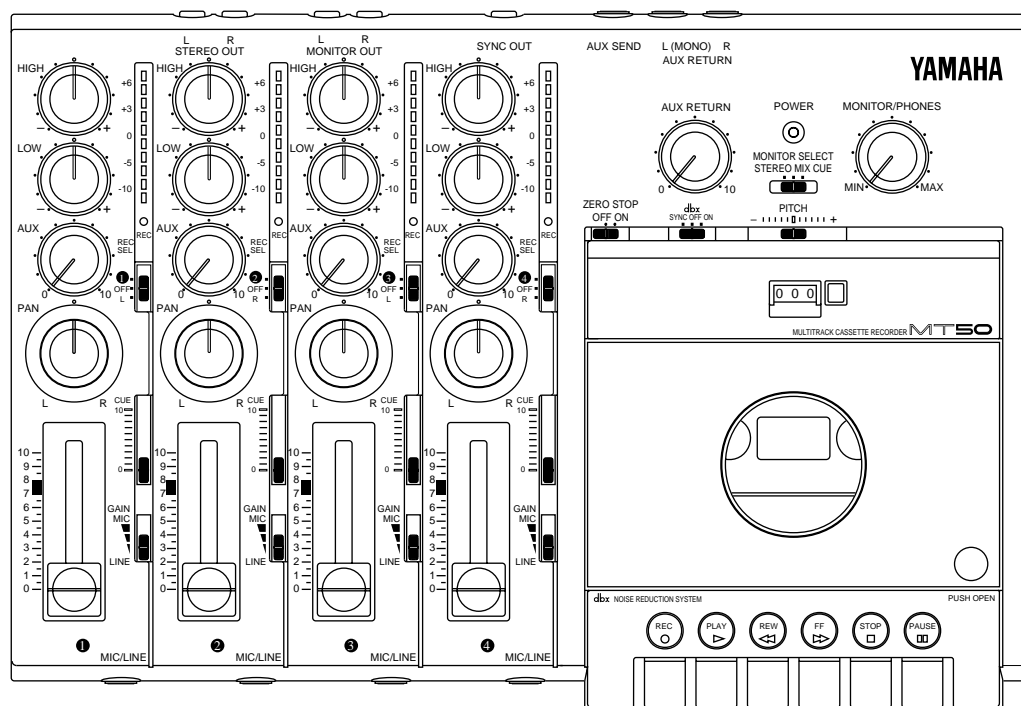
# MT50

User's Guide

Manuel de l'utilisateur

Bedienungsanleitung

Guía del Usuario



## **FCC INFORMATION (U.S.A.)**

1. **IMPORTANT NOTICE: DO NOT MODIFY THIS UNIT!**  
This product, when installed as indicated in the instructions contained in this manual, meets FCC requirements. Modifications not expressly approved by Yamaha may void your authority, granted by the FCC, to use the product.
2. **IMPORTANT:** When connecting this product to accessories and/or another product use only high quality shielded cables. Cable/s supplied with this product **MUST** be used. Follow all installation instructions. Failure to follow instructions could void your FCC authorization to use this product in the USA.

\* This applies only to products distributed by YAMAHA CORPORATION OF AMERICA.

Dette apparat overholder det gældende EF-direktiv vedtrørende radiostøj.

Cet appareil est conforme aux prescriptions de la directive communautaire 87/308/CEE.

Diese Geräte entsprechen der EG-Richtlinie 82/499/EWG und/oder 87/308/EWG.

This product complies with the radio frequency interference requirements of the Council Directive 82/499/EEC and/or 87/308/EEC.

Questo apparecchio è conforme al D.M.13 aprile 1989 (Direttiva CEE/87/308) sulla soppressione dei radiodisturbi.

Este producto está de acuerdo con los requisitos sobre interferencias de radio frecuencia fijados por el Consejo Directivo 87/308/CEE.

**YAMAHA CORPORATION**

---

# Precautions

Read through the following precautions before operating your MT50.

## Safety precautions

- Make sure the AC adaptor's cord is not located in a position where it is likely to be walked on or pinched by other equipment.
- Do not expose the MT50 to direct sunlight, extremes of temperature, humidity, dust, vibration, or severe shocks.
- The ambient temperature where the MT50 is located should be between 10°C and 35°C (50°F and 95°F).
- Use only the AC adaptor supplied with the MT50. Do not use another manufacturer's AC adaptor.
- The AC adaptor should be connected only to an AC power outlet of the type stated on the AC adaptor or in this *User's Guide*.
- Before connecting the AC adaptor to the MT50, disconnect the adaptor from the AC outlet. Always connect the AC adaptor to the MT50, then plug the AC adaptor into the AC outlet.
- Grip the plug of the AC adaptor firmly when removing it from an AC outlet. Do not pull the adaptor's cord.

## Handling precautions

- To reduce the risk of electric shock, do not open the MT50.
- To reduce the risk of fire or electric shock, do not expose the MT50 to rain or moisture.
- In an extremely humid environment, condensation may form on the inside and outside of the MT50. If condensation does occur, leave the MT50 powered on, but do not use it until the condensation has cleared.

## Maintenance

- Use a soft, dry cloth to clean the MT50.
- If the MT50 should require more thorough cleaning, use a soft, lightly moistened cloth. Stubborn marks can be removed using a mild detergent. Do not use abrasive or solvent based cleaners such as alcohol and benzine.

## Service and repair

- Refer all servicing to qualified personnel.
- If any of the following incidents occur, the MT50 should be serviced by qualified personnel:

The AC adaptor's cord or plug is damaged.

Metal objects or liquids get inside the MT50.

The MT50 is exposed to rain.

The MT50 is dropped or the enclosure is damaged.

The MT50 does not operate normally or you notice a marked change in performance.

© 1994 Yamaha Corporation. All rights reserved.

All trademarks are the property of their respective holders.

---

# Contents

<b>1</b>	<b>Welcome to the MT50</b> .....	<b>1</b>
	About this User's Guide .....	1
	What is the MT50? .....	1
	Choosing Cassette Tapes .....	1
	About Multitrack Recording .....	2
	Are Four Tracks Enough? .....	2
	A Few Suggestions .....	2
<b>2</b>	<b>Getting to Know the MT50</b> .....	<b>3</b>
	Connections .....	7
<b>3</b>	<b>Basic Recording</b> .....	<b>8</b>
	Loading Cassettes into the MT50 .....	8
	Power ON/OFF .....	8
	Preparation .....	8
	Step 1 — Recording the Drums .....	9
	Step 2 — Recording the Bass .....	10
	Step 3 — Recording the Guitar .....	11
	Step 4 — Recording the Vocals .....	12
	Step 5 — Mixing Down .....	13
	Preparation .....	13
	Balancing Levels .....	13
	Panning .....	14
	Applying EQ .....	14
	Adding Effects .....	14
	Mixdown Recording .....	14
	Setting example .....	15
<b>4</b>	<b>Advanced Recording</b> .....	<b>16</b>
	One-Take Recording .....	16
	Ping-Pong Recording .....	16
	Punch-In/Out Recording .....	16
	Synchronization .....	16
	One-Take Recording .....	17
	Ping-Pong Recording .....	21
	Punch In/Out Recording .....	23
	Synchronization .....	25
	<b>Appendix</b> .....	<b>26</b>
	Troubleshooting .....	26
	MT50 Maintenance .....	27
	Specifications .....	29
	General Specifications .....	29
	Block Diagram .....	30
	Dimensions .....	30
	<b>Glossary</b> .....	<b>31</b>

# 1

## Welcome to the MT50

Thank you for choosing the Yamaha MT50 Multitrack Cassette Recorder. The MT50 is an easy-to-use four-track cassette tape recorder that will allow you to capture your music at a very high level of quality. To take best advantage of the MT50's multitrack features, please read this manual thoroughly.

### About this User's Guide

This *User's Guide* consists of four main chapters.

- Chapter 1: Welcome to the MT50
- Chapter 2: Getting to Know the MT50
- Chapter 3: Basic Recording
- Chapter 4: Advanced Recording

“Chapter 2: Getting to Know the MT50” explains the MT50's controls and connections. “Chapter 3: Basic Recording” explains basic setup and the power-on procedure and contains a step-by-step tutorial for overdub recording and mixdown. “Chapter 4: Advanced Recording” explains some advanced MT50 recording techniques, such as one-take recording, ping-pong recording, punch in/out recording, and MIDI tape synchronization.

If you're new to the world of multitrack recording, read Chapter 2 thoroughly. The Appendix provides technical information and a glossary.

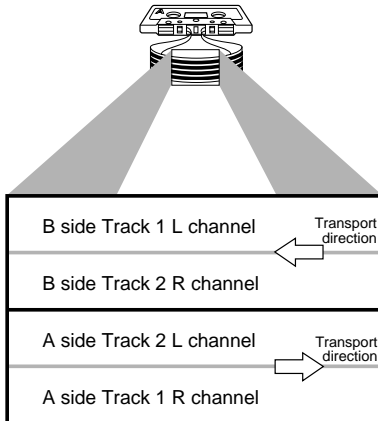
### What is the MT50?

A standard hi-fi cassette recorder uses only two tracks (i.e., left and right) and both tracks are recorded simultaneously. The MT50, on the other hand, can record four tracks on a standard audio cassette. Even more importantly, you can record and play back these four tracks individually. You can record all four tracks simultaneously, or one at a time (a technique called overdub recording). The MT50 uses only one side of a standard audio cassette; in effect, there is no B side. If you turn the cassette over, you'll hear the four tracks play backwards. This is because the MT50 uses the full width of the tape to record four tracks. The MT50 uses dbx noise reduction to reduce tape hiss and keep your recordings clean and crisp. Once you've recorded your four tracks, you can mixdown into stereo using the MT50's flexible mixer, with EQ, pan, and an aux send for adding effects.

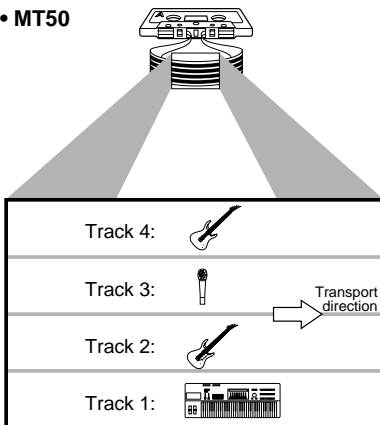
### Choosing Cassette Tapes

For best performance use high-quality Type II (High Bias 70  $\mu$ s EQ) chrome cassettes of 90 minutes or less, such as TDK SA, Maxell UD-XLII, and Sony UX-S. Do not use metal tapes or 120 minute tapes. At normal speed a 60-minute cassette provides about 15 minutes of recording time. That's because the tape runs at twice the speed of a standard cassette recorder and you use only side A.

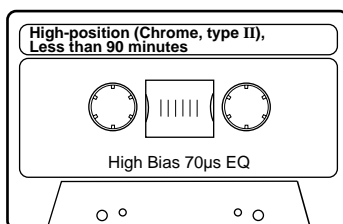
#### • Standard Cassette Deck



#### • MT50



\* *dbx noise reduction system was manufactured based on a patent license from THAT Corporation. dbx is a trademark of Carillon Electronics Corporation..*



Tape	Rec. Time
90 min.	Approx. 22.5 min.
60 min.	Approx. 15 min.
30 min.	Approx. 7.5 min.

## About Multitrack Recording

Multitrack recording simply refers to recording on more than one track (a track is a physical strip on a recording tape). Invented by Les Paul in the 1950's, multitrack recording constituted a revolutionary breakthrough in the recording arts. Suddenly, you could record multiple instruments on separate tracks on a tape and mix them together later, making adjustments to each track independently.

The MT50 gives you this incredible capability in a compact, portable unit that you can use to make multitrack recordings almost anywhere--at the rehearsal studio with the band, or in your bedroom. If you combine the MT50 with other music technologies such as MIDI and digital effects processing, you can make some great-sounding recordings.

## Are Four Tracks Enough?

The MT50 is a four-track tape recorder: its recording heads create four separate tracks on a tape.

You will also notice that the left side of the unit is composed of four groups or "modules" of identical controls. These modules control four separate mixer channels with faders, tone, pan, and auxiliary send controls.

This combination of four inputs, four mixer channels, and four tracks gives you an enormous amount of flexibility. You can create a signal that runs from any input to any track on the tape. (In other words, there is no need to record input module 1 to track 1 on the tape; input 1 can be routed to tracks 2, 3, or 4.)

You can overdub your own recordings, listening to one part while recording another.

You can also transfer recorded takes from up to three tracks to an unrecorded track. Then you can record over the initial tracks, and perhaps repeat the process. Using this technique--called ping-pong recording--you can effectively expand your four track studio into a virtual ten-or-more track studio!

## A Few Suggestions

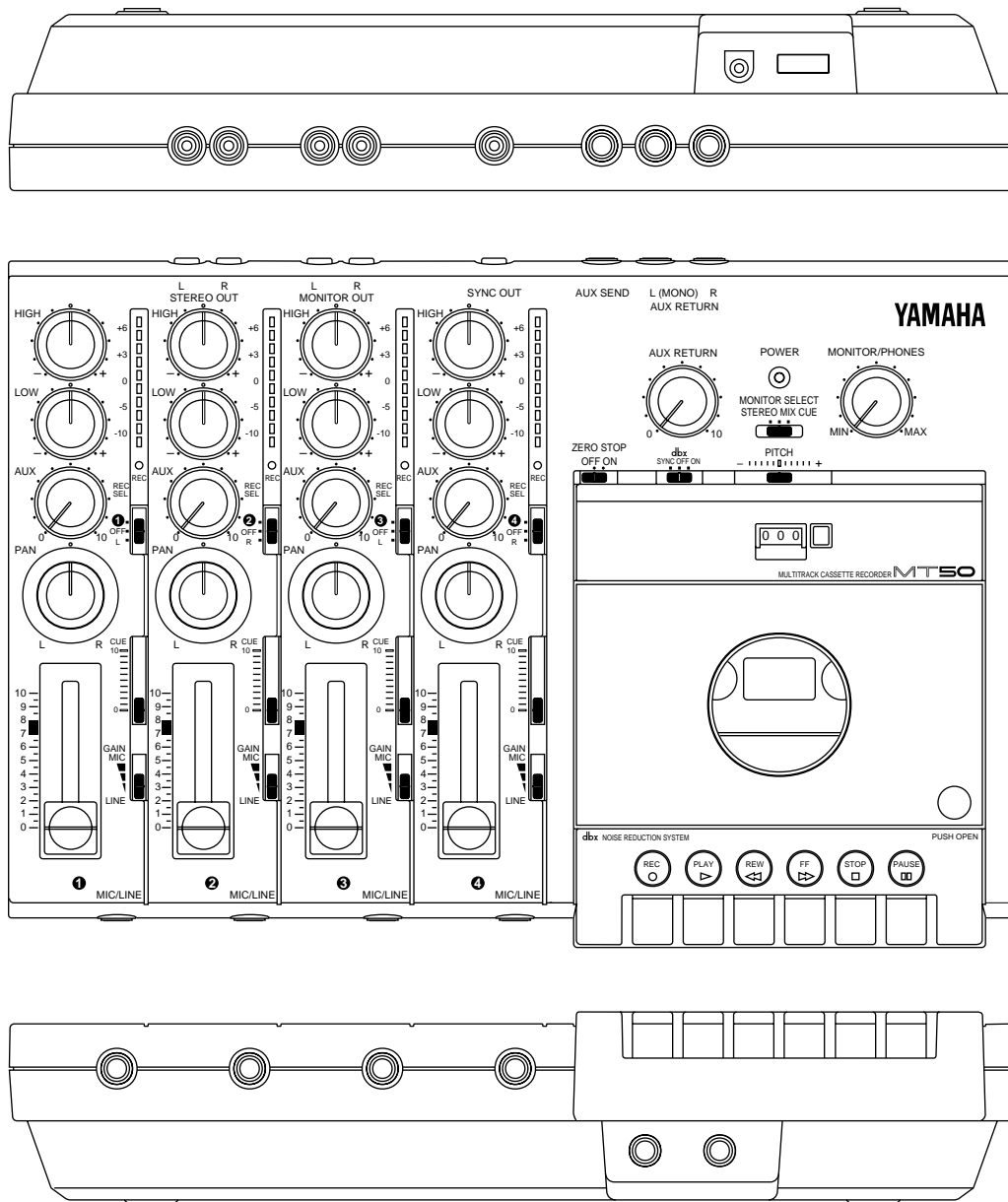
- Avoid rheostats (dimmer switches for electric lights), air conditioners, and fluorescent or neon lights. They all add hum to your recordings.
- If you use microphones to record, it is helpful to record in a room that sounds good: in other words, an appropriate acoustic environment. Also, you can experiment with the placement of your microphones; minor adjustments can deeply affect the sound quality.
- Use high quality, shielded cables.
- If you have an analog or digital reverb effect unit, you will probably want to use it. However, use it sparingly. Too much reverb can quickly muddy your sound. Consider saving reverb until the final mixdown, so you apply it evenly to the entire mix

## 2

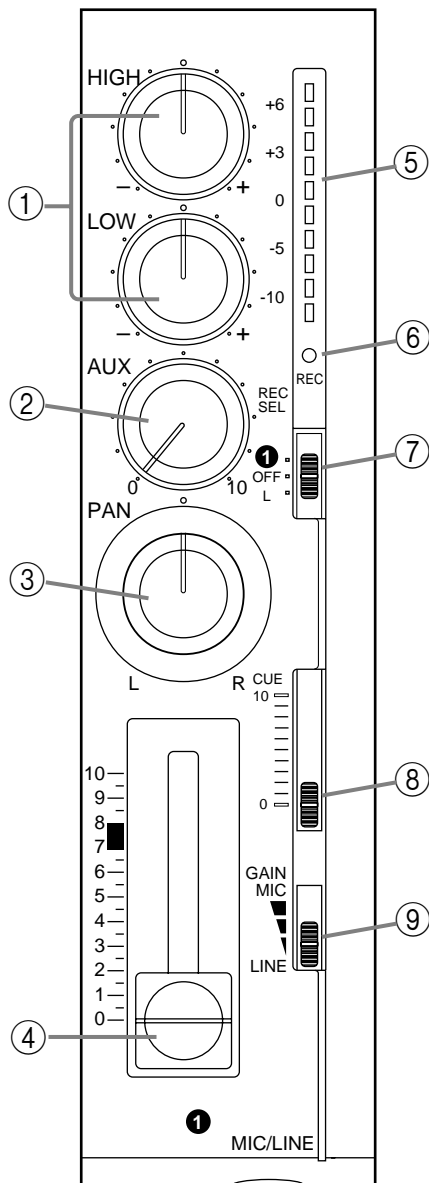
# Getting to Know the MT50

This chapter takes you on a guided tour of the MT50 and explains what the controls and connections do, and how to use them.

First the module controls, then the general controls, are illustrated and explained. Finally, the MT50's connections are covered. Refer to the illustrations below and throughout this chapter to identify the MT50's controls and connections. This will make it easier for you to complete the tutorial in "Chapter 3: Basic Recording."



*Note: Controls 1 through 9 are the same for all four input modules.*

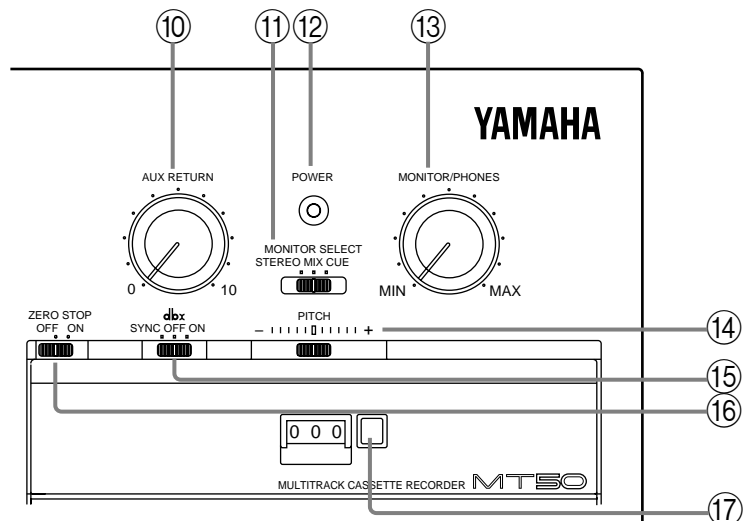


! For the technically minded, the **HIGH** control has a center frequency of 12kHz and the **LOW** control, 80Hz. Both controls offer up to 12dB of cut and boost.

- ① **HIGH and LOW equalization controls:** These controls adjust the tone (EQ). When something is connected to the MIC/LINE input, these controls affect the tone of the input signal (i.e., the signal to be recorded). When nothing is connected to the MIC/LINE input, these controls affect the tone of the playback signal (i.e., the tape signal fed into the stereo mix).
- ② **AUX control:** This control sets the level of the signal fed to the AUX SEND output, which is used to feed an external effects processor. The MT50's aux send signal is sourced after the fader. To feed a channel's signal to an external effects processor via the aux send, you must turn up its AUX control and raise its fader.
- ③ **PAN control:** This control positions the playback of a sound in the stereo mix (i.e., between the left and right channels). Turning to the right pans a signal to the right channel; turning to the left pans a signal to the left channel. For center position, an equal amount of signal is fed to both the left and right outputs.
- ④ **Fader:** When something is connected to the MIC/LINE input, the fader sets the recording level (i.e., the level of the input signal recorded to tape). When nothing is connected to the MIC/LINE input, this fader sets the playback level (i.e., the level of the tape signal fed to the stereo mix). For best performance, the fader should be positioned between 7 and 8.
- ⑤ **Level meter:** This LED meter shows the recording and playback level. The recording level should be set so that the +6 LED lights occasionally at the maximum input level. The fader sets the recording level.
- ⑥ **REC indicator:** This indicator shows the recording mode.
  - Off** — REC SEL switch set to OFF.
  - Flashing** — REC SEL switch set to one of the "on" positions (i.e., set to 1, 2, 3, 4, L, or R, in which case the track is ready to record).
  - Lit** — Recording in progress or recording paused.
- ⑦ **REC SEL switch:** This switch selects the signal to be recorded.
  - Off** — Recording is not active.
  - 1 (2, 3, 4)** — The MIC/LINE input signal is recorded.
  - L (R)** — The left (right) stereo mix signal is recorded. Left signals can be recorded to tracks 1 and 3. Right signals can be recorded to tracks 2 and 4. Use this setting for ping-pong recording.
- ⑧ **CUE slider:** This control sets the CUE level. CUE allows you to adjust the volume of the monitor independently of the fader settings. This control is effective only when the MONITOR SELECT switch is set to either MIX or CUE.
- ⑨ **GAIN switch:** This switch sets the MIC/LINE input gain for optimum performance, depending on what you connect to the MIC/LINE input.
  - MIC** — microphones, low-level devices.
  - Middle** — electric guitar, electric bass.
  - LINE** — synthesizer, drum machine, CD player, high-level devices.



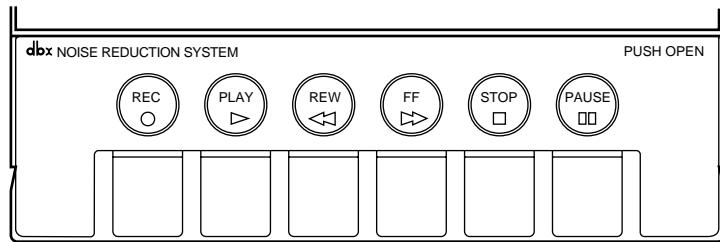
- ⑩ **AUX RETURN control:** This control sets the level of the AUX RETURN input signal (i.e., the level of the processed signal from an external effects processor) back into the stereo mix.
- ⑪ **MONITOR SELECT switch:** This switch determines the signal source for the PHONES and the MONITOR OUT.  
**Stereo** — This setting selects the L and R signals controlled by the Pan control (the level of these signals is adjusted by the faders).  
**Cue** — The signal source is CUE (controlled by the CUE sliders). Use this for overdub recording.  
**Mix** — The signal source is the stereo mix and CUE. Use this for punch-in/out recording.
- ⑫ **POWER indicator:** This indicator lights up when the MT50 is powered-on and ready for use.
- ⑬ **MONITOR/PHONES control:** This control is used to adjust the PHONES and MONITOR OUT levels.



- ⑭ **PITCH slider:** This control is used to adjust the tape speed plus or minus 10%. The center position is normal speed (9.5 cm/sec). In general, set this slider to the center position.
- ⑮ **dbx switch:** “dbx” is a sophisticated noise reduction system that can help you make cleaner-sounding recordings. This switch is used to turn the dbx noise reduction ON and OFF. The switch has three positions:  
**OFF** — dbx noise reduction is OFF.  
**ON** — dbx noise reduction is ON for all four tracks.  
**SYNC** — dbx noise reduction is ON for tracks 1, 2, and 3, but not 4. Use this setting when track 4 is striped with the FSK signal for synchronized operation.

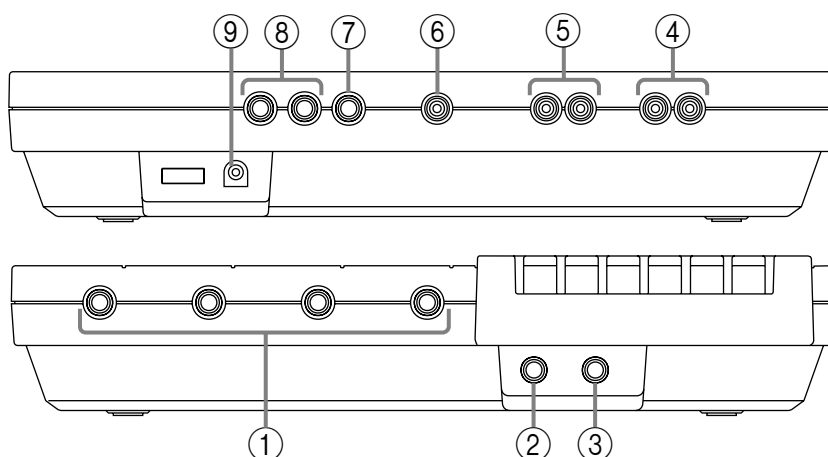
*Note:* If you recorded a tape with dbx noise reduction set to either ON or SYNC, make sure that ON or SYNC is used for playback too. Do not change this setting half way through a recording session.

- ⑩ **ZERO STOP switch:** When set to ON, rewind stops automatically at approximately 999 (the REW button remains depressed).
- ⑪ **Tape counter and reset button:** The tape counter indicates the tape position, making it easy to locate specific points in your songs. The reset button resets the tape counter to 000.
- ⑫ **Tape control buttons:** From left to right, their functions are to record (REC); to play back the tape (PLAY); to rewind the tape (REW); to stop the tape (STOP); and to pause either playback or recording (PAUSE).



## Connections

- ① **MIC/LINE input jacks:** Microphones, instruments, and line-level sources are connected here for recording.
- ② **PHONES jack:** A pair of stereo headphones is connected here to enable you to monitor the recording or playing back of tracks.
- ③ **PUNCH I/O jack:** An optional footswitch, such as the Yamaha FC4 or FC5, is connected here for punch-in/out recording.
- ④ **STEREO OUT jacks:** During mix down, signal is output from these outputs to the master recorder. Connect these outputs to the inputs of the master recorder.
- ⑤ **MONITOR OUT jacks:** The monitor signal is output from these L/R jacks. Connect a pair of speakers with built-in amplifiers.
- ⑥ **SYNC OUT jack:** This jack outputs the FSK signal to synchronize the MT50 and a MIDI sequencer or drum machine. Connect a MIDI-FSK convertor such as the Yamaha YMC10.
- ⑦ **AUX SEND jack:** The aux send signal is output at this jack. Connect this jack to the input on an external effects processor, such as the Yamaha FX770 or REV100.
- ⑧ **AUX RETURN jacks:** The effects signal is returned here. Connect this to the output on an external effects processor. Use the L(MONO) input jack for mono return signals. Use both the L(MONO) and R jacks for stereo return signals.
- ⑨ **DC 12V POWER connector:** Connect the AC adaptor here.



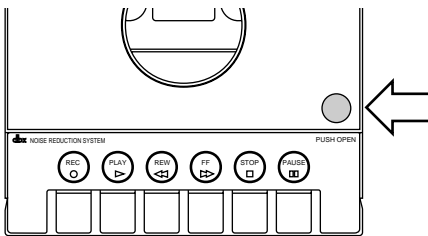
# 3

## Basic Recording

This chapter explains how to perform overdub recording. Overdub recording is the basis of all multi-track recording. It enables you to record track-by-track, while listening to previously recorded tracks. In the following example, we will use a drum machine, bass, guitar, and vocals. You can, of course, use any instruments you prefer.

Here's our track list.

Track #	Instrument	Other Info
1	Drums	RYZZ drum machine. Song #10 "I love you"
2	Bass	Dave's bass with chorus effects pedal
3	Guitar	My strat through marsh-ball amp
4	Vocal	Sandra with FM58 microphone



**Warning:** Before making any connections, power OFF all your equipment.

**Warning:** The AC adaptor should be connected only to an AC outlet of the voltage type stated on the adaptor.

### Loading Cassettes into the MT50

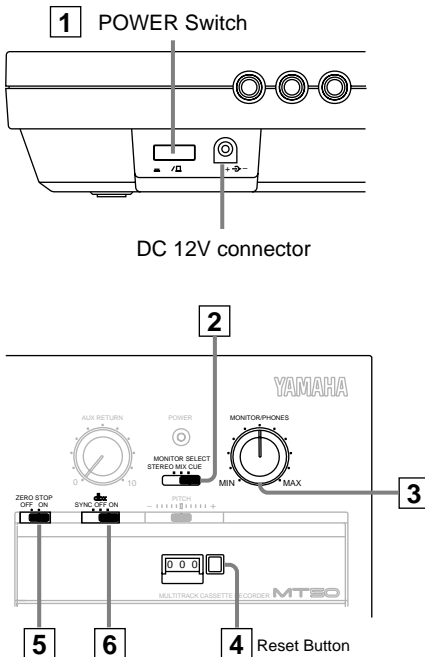
1. Carefully insert the cassette.
2. Connect the supplied AC adaptor to the DC 12V connector.
3. Plug the AC adaptor into a suitable AC outlet.
4. Connect a pair of stereo headphones to the PHONES jack, or connect the MONITOR OUT to speakers with built-in amps.

### Power ON/OFF

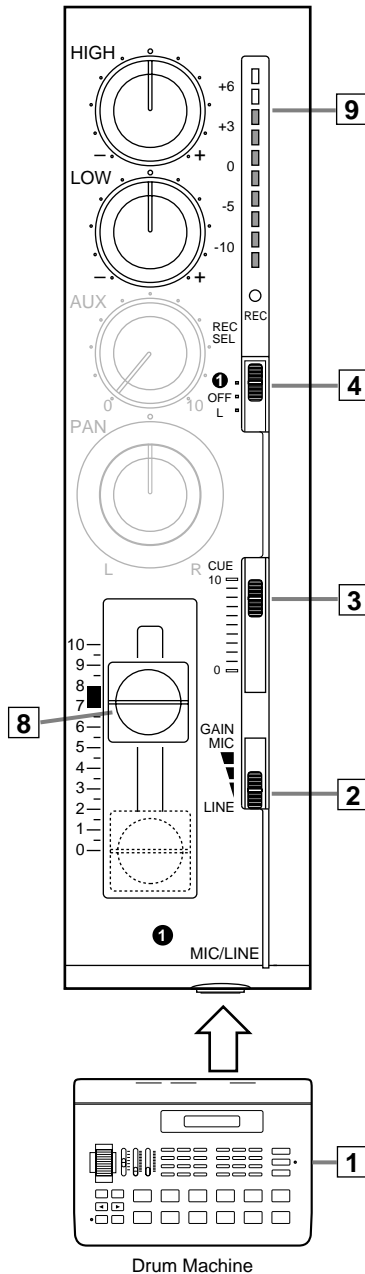
1. Press the POWER switch to power ON the MT50.  
The POWER indicator lights up.

### Preparation

2. Set the MONITOR SELECT switch to CUE.
3. Set the MONITOR/PHONES control to about halfway. You can always readjust later.
4. Press the reset button to reset the tape counter to 000.
5. Set the ZERO STOP switch to ON.
6. Set the dbx switch to ON.



## Step 1 — Recording the Drums



1. Connect the drum machine to MIC/LINE input 1.

2. Set Module 1's GAIN switch to LINE.

3. Set Module 1's CUE slider to about 8.

4. Set Module 1's REC SEL switch to 1.

The REC indicator starts flashing.

5. Press the PAUSE button.

6. Press the REC button.

The REC indicator lights up.

7. Start the drum machine

8. Raise Module 1's fader gradually.

You should be able to hear the drum machine and Module 1's level meter should light up.

9. Set the fader so that the +6 light comes on occasionally at the maximum input level.

*Note:* If the drum machine volume is very low you can not achieve the optimum recording level with the maximum fader setting, set the fader to 0, and set the GAIN switch to the middle position (for instruments). Raise the fader again and set as appropriate.

The module fader is used to set the recording level and should be set in conjunction with the level meter. Use the CUE slider and MONITOR/PHONES control to adjust the monitoring levels. These controls affect only the monitor signals.

10. Press the PAUSE button to start recording.

11. Start the drum machine.

12. When the drum part is finished, press STOP to stop recording.

13. Press REW to rewind the tape.

It will stop automatically at approximately 999, because we set ZERO STOP to ON.

14. Set Module 1's REC SEL switch to OFF.

The REC indicator goes off.

15. Press PLAY to listen to the drum track.

If you like the track, go to "Step 2 — Recording the Bass" once you finish this procedure. If you don't like it, re-record it.

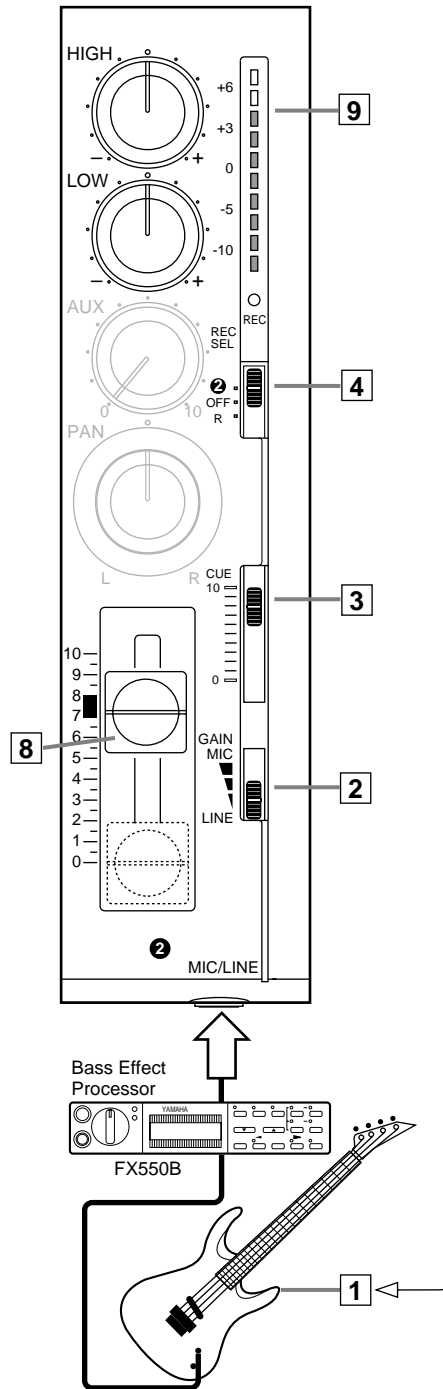
16. Disconnect the drum machine.

17. Set Module 1's fader to 0.

18. Press REW to rewind the tape to 000.

**!** The easiest song to record is one that starts with a drum intro. If your song starts with drums, bass, and synth all on the first bar, you'll need to record a count-in.

## Step 2 — Recording the Bass



### 1. Connect the bass to MIC/LINE input 2.

*Note:* Connecting an instrument with a high output impedance such as an electric guitar or bass to the MT50 may increase noise and distortion and preclude high quality recordings.

*If this happens, connect a direct box or effect unit between the instrument and the MT50 to reduce the impedance.*

### 2. Set Module 2's GAIN switch to LINE.

### 3. Set Module 2's CUE slider to about 8.

### 4. Set Module 2's REC SEL switch to 2.

The REC indicator starts flashing.

### 5. Press the PAUSE button.

### 6. Press the REC button.

The REC indicator lights up.

### 7. While strumming the bass, raise Module 2's fader gradually.

You should be able to hear the bass and the level meter should light up.

### 8. Set the fader so that the +6 light is on occasionally at the maximum input level.

### 9. In order to set the CUE levels, press the PAUSE button to start recording. (This is only a temporary recording.)

### 10. While listening to the drum track, play the bass and set Module 1 and 2's CUE sliders so that you can hear the drums and bass clearly.

### 11. Press REW to rewind the tape to 000.

### 12. Press the REC button to start recording.

The REC indicator lights up.

### 13. Play your bass part while listening to the drum track.

### 14. When your bass part is finished, press STOP to stop recording.

### 15. Press REW to rewind the tape to 000.

### 16. Set Module 2's REC SEL switch to OFF.

The REC indicator goes off.

### 17. Press PLAY to listen to the drum track and new bass track.

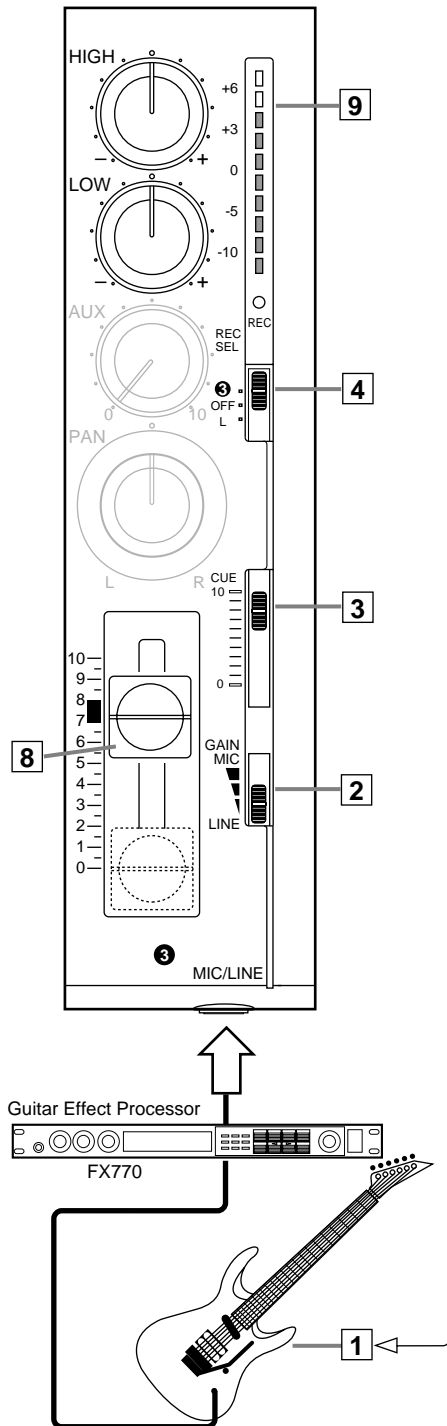
If you like the track, go to "Step 3 — Recording the Guitar" once you finish this procedure. If you don't like it, re-record it.

### 18. Disconnect the bass.

### 19. Set Module 2's fader to 0.

### 20. Press REW to rewind the tape to 000.

## Step 3 — Recording the Guitar



### 1. Connect the guitar to MIC/LINE input 3.

**Note:** Connecting an instrument with a high output impedance such as an electric guitar or bass to the MT50 may increase noise and distortion and preclude high quality recordings.

As explained in Step 1 on page 10, connect a direct box or effect unit between the instrument and the MT50 to reduce the impedance.

### 2. Set Module 3's GAIN switch to LINE.

### 3. Set Module 3's CUE slider to about 8.

### 4. Set Module 3's REC SEL switch to 3.

The REC indicator starts flashing.

### 5. Press the PAUSE button.

### 6. Press the REC button.

The REC indicator lights up.

### 7. While strumming the guitar, raise Module 3's fader gradually.

You should be able to hear the guitar and the level meter should light up.

### 8. Set the fader so that the 0 light is on most of the time and the +6 light comes on occasionally.

### 9. In order to set the CUE levels, press the PAUSE button to start recording. (This is only a temporary recording.)

### 10. While listening to the drum and bass tracks, play the guitar and set Module 1, 2, and 3's CUE sliders so that you can hear the drums, bass, and guitar clearly.

### 11. Press REW to rewind the tape to 000.

### 12. Press the REC button to start recording.

The REC indicator lights up.

### 13. Play your guitar part while listening to the drum and bass tracks.

### 14. When your guitar part is finished, press STOP to stop recording.

### 15. Press REW to rewind the tape to 000.

### 16. Set Module 3's REC SEL switch to OFF.

The REC indicator goes off.

### 17. Press PLAY to listen to the drum track, bass track, and new guitar track.

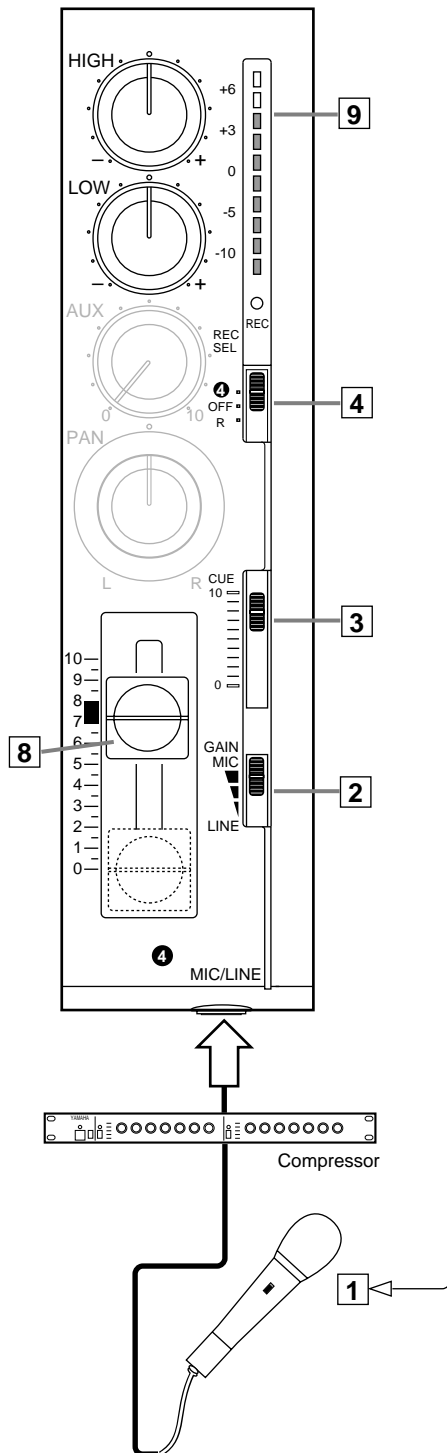
If you like the track, go to "Step 4 — Recording the Vocals" once you finish this procedure. If you don't like it, re-record it.

### 18. Disconnect the guitar.

### 19. Set Module 3's fader to 0.

### 20. Press REW to rewind the tape to 000.

## Step 4 — Recording the Vocals

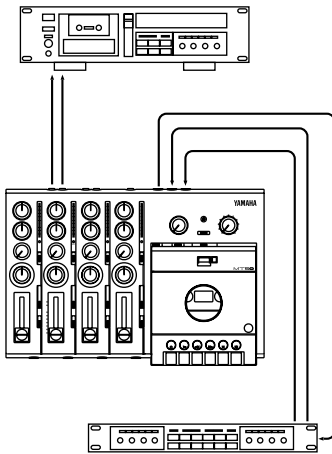
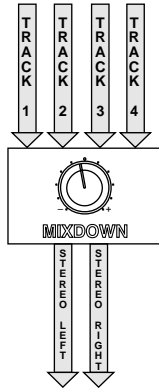


1. **Connect the microphone to MIC/LINE input 4.**
2. **Set Module 4's GAIN switch to MIC.**
3. **Set Module 4's CUE slider to about 8.**
4. **Set Module 4's REC SEL switch to 4.**  
The REC indicator starts flashing.
5. **Press the PAUSE button.**
6. **Press the REC button.**  
The REC indicator lights up.
7. **While singing into the microphone, raise Module 4's fader gradually.**  
You should be able to hear the vocal and the level meter should light up.
8. **Set the fader so that the 0 light is on most of the time and the +6 light is on occasionally.**
9. **In order to set the CUE levels, press the PAUSE button to start recording. (This is only a temporary recording.)**
10. **While listening to the drum, bass, and guitar tracks, sing into the microphone and set the CUE sliders on Modules 1, 2, 3, and 4 so that you can hear all sounds clearly.**
11. **Press REW to rewind the tape to 000.**
12. **Press the REC button to start recording.**  
The REC indicator lights up.
13. **Sing your vocal part while listening to the other tracks.**
14. **When you've finished, press STOP to stop recording.**
15. **Press REW to rewind the tape to 000.**
16. **Set Module 4's REC SEL switch to OFF.**  
The REC indicator goes off.
17. **Press PLAY to listen to the drum track, bass track, guitar track, and new vocal track.**  
If you like the track, go to "Step 5 — Mixing Down" once you finish this procedure. If you don't like it, re-record it.  
At this point, we are finished recording.
18. **Disconnect the microphone.**
19. **Set Module 4's fader to 0.**
20. **Press REW to rewind the tape to 000.**

! *Use a compressor to even out the vocal level.*

! *Watch out for feedback. Don't place your microphone too close to your speakers.*





## Step 5 — Mixing Down

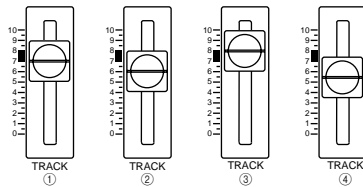
Mixing-down is the process of combining all four tracks into one. This mix can then be recorded to a stereo cassette recorder or DAT machine. The MT50 is your multitrack recorder; the second tape recorder serves as the “master recorder.” During the mix-down, you can tailor the tone of each sound using the two-band EQ, pan sounds left and right, and balance the fader levels.

### Preparation

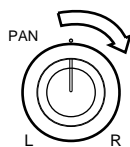
1. Connect the **STEREO OUT** on the MT50 to the input on your master cassette recorder.
2. Set the input levels on your master recorder as appropriate.
3. You can connect the stereo outputs of your master recorder to a hi-fi amplifier, and connect a pair of speakers to the amplifier, to monitor the mix.  
  
Alternatively, you can use a pair of stereo headphones or a pair of speakers with built-in amplifiers. The best choice is a pair of speakers with a flat response, uncolored by boosted bass or treble settings.
4. You can connect a multi-effects processor, such as the Yamaha REV100 or FX770, between the **AUX SEND** and **AUX RETURN** jacks .
5. Set the **MONITOR SELECT** switch to **STEREO**.
6. Make sure that nothing is connected to the **MIC/LINE** inputs.
7. Set the **dbx** and **ZERO STOP** switches as appropriate. If you’re continuing from the previous recording steps, they are set OK.

### Balancing Levels

Before recording the stereo mix to tape, it’s best to rehearse it a few times first, and then record it when you’re happy with the overall sound.



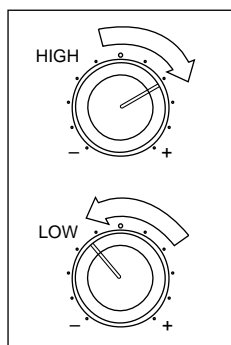
1. Set all faders to about 7.
2. Press **PLAY** to start playback.
3. Using the faders, adjust the levels to create a balanced mix. Nothing too loud, nothing too quiet.
4. Use the **MONITOR/PHONES** level control to adjust the monitoring volume to an optimal level.



## Panning

Panning allows you to position sounds in the stereo mix (i.e., between the left and right speakers). There are no hard and fast rules about positioning instruments in the stereo image. Experiment! Some early Beatles recordings achieved remarkable effects by panning vocals, for example, hard right, while bass and guitar were panned hard left.

1. Turn the PAN control to the left to position a sound to the left, and to the right to position a sound to the right.



## Applying EQ

The two-band equalizer enables you to boost or cut both high and low frequencies. Make sure you can hear desirable high frequencies, such as the hi-hats in the drum track. Don't let low frequencies, such as the bass track, become too "boomy," or overwhelm the mix.

1. Use the HIGH control to boost and cut high frequencies.
2. Use the LOW control to boost and cut low frequencies.

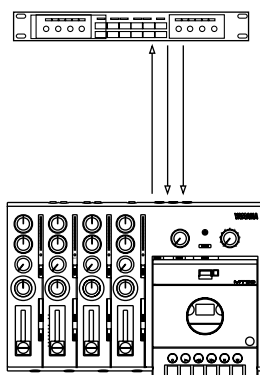
## Adding Effects

If you have an effects processor, such as the Yamaha REV100 or FX770, you can connect it to the MT50 and apply effects to recorded sounds.

1. Connect the AUX SEND to the effects processor's input.
2. Connect the AUX RETURN to the effects processor's outputs.

If you have a stereo effects processor, connect both the L(MONO) and R AUX RETURN connectors. If your effects processor has a mono output, connect to the L(MONO) connector.

3. Turn up an AUX control to send a sound to the effects processor.
4. Turn up the AUX RETURN control to add the processed sounds to the stereo mix.



## Mixdown Recording

Once you're happy with the mix, you're ready to record it to the master recorder.

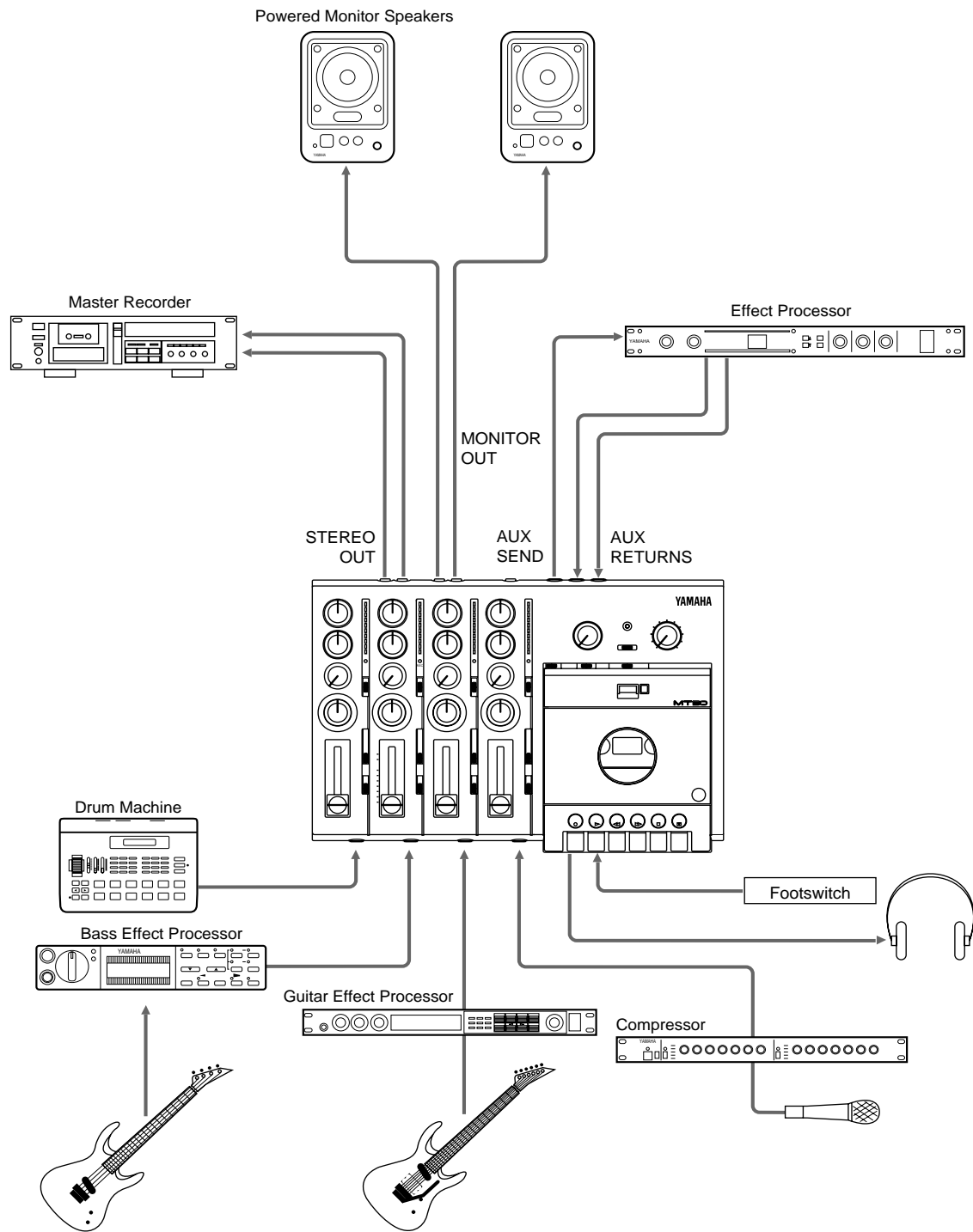
1. Set your master recorder ready to record.
2. Play the MT50 and set the recording level on the master recorder.
3. Stop MT50 and rewind the tape back to approximately 999.
4. Start recording on the master recorder.
5. Press PLAY on the MT50 to start playback.

The stereo mix is recorded to the master recorder.

6. At the end of the song, stop the MT50 and master recorder.
7. Rewind the master recorder and play your masterpiece.

**!** To prevent accidentally erasing your original recording, remove the write-protect tabs from both sides of the audio cassette you used in your MT50.

# Setting example



# 4

## Advanced Recording

---

This chapter explains how to perform advanced multi-track recording techniques on your MT50. The MT50 is so flexible that you can perform sophisticated recording techniques with relative ease on a single, compact machine. Here's a little of what you can do.

### One-Take Recording

This recording technique is used to record several instruments at the same time. It is extremely helpful for recording live performances. You can record the instruments direct and apply reverb and other effects during mix-down at a recording studio.

You can also use this technique to record four instruments live to two tracks, leaving a couple tracks free. Or, you could record a complex drum part, miking three drums in the kit separately. Later you could mix the tracks into a very sophisticated rhythm part, and ping-pong it to the open track. Finally, you can also use this technique to retain the stereo placement of MIDI-programmable stereo devices.

### Ping-Pong Recording

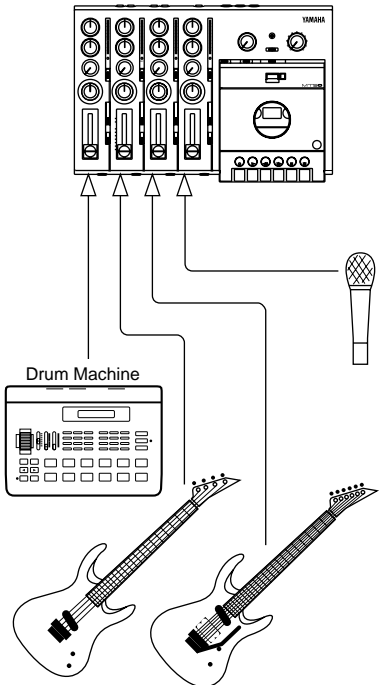
Ping-Pong Recording takes its name from the parlor game that features a little white bouncing ball. It allows you to combine previously recorded tracks by mixing them together and recording (or "bouncing") them to an unrecorded track. Whereas basic overdub recording allows you to record four times, this technique enables you to record, in theory, an unlimited number of tracks. This is because each time you ping-pong, you make tracks available for additional recording. Due to the limitations of magnetic tape, however, you can record only several times before the tracks will deteriorate due to generational loss. (In other words, recording again and again will wear down the tape so much that your tracks will lose their punch).

### Punch-In/Out Recording

This technique is used to re-record short sections, correct mistakes, or add new sections to silent passages. You play your part while punching in and out to start and stop the recorder. If you have a footswitch, you can punch in and out using your foot. This keeps your hands free for making music. It's a great way to create a fantastic guitar solo. You can keep re-recording difficult passages until you get things just right!

### Synchronization

By recording an FSK signal onto track 4, you can synchronize the MT50 with a drum machine or MIDI sequencer. With this technique, you don't need to record MIDI instruments to tape. You save tracks because the an FSK signal triggers the MIDI instruments, effectively expanding your song's arrangement. This technique requires a MIDI to FSK converter, such as the Yamaha YMC10.



## One-Take Recording

The MT50 enables you to record up to four instruments at the same time. This is useful for recording a live band, as discussed previously. Simply record the instruments directly into input modules 1 through 4 and add effects during mixdown.

1. **Connect an instrument to MIC/LINE inputs 1 through 4.**
2. **Set the GAIN switches for Modules 1 through 4 as appropriate.**
3. **Set each module's CUE slider to about 8.**
4. **Set each module's REC SEL switch to its number (1, 2, 3, or 4).**  
The REC indicator starts flashing for each module.
5. **Press the PAUSE button.**
6. **Press the REC button.**  
The REC indicator lights up.
7. **Start up the band.**
8. **Raise each module's fader gradually.**  
You should be able to hear the band; each module's level meter should light up.
9. **Set the fader on each module so that the 0 light is on most of the time and the +6 light comes on occasionally.**  
The module fader is used to set the recording level and should be set in conjunction with the level meter. Use the CUE slider and MONITOR/PHONES control to adjust the monitoring levels. These controls affect only the monitor signals.
10. **Press the PAUSE button when you are ready to start recording.**
11. **Start up the band.**
12. **When the tune is finished, press STOP to stop recording.**
13. **Press REW to rewind the tape.**
14. **Mix down as described on page 13.**

You can add effects to each channel separately, adjust the pan controls, and balance the faders to achieve your desired results. You can also add reverb to the entire mix for a polished, professional-sounding recording.

## Advanced One-Take Recording Techniques

What happens if you want to record musical instruments or electronic devices that output stereo sound? With only four tracks, your options get used up in a hurry!

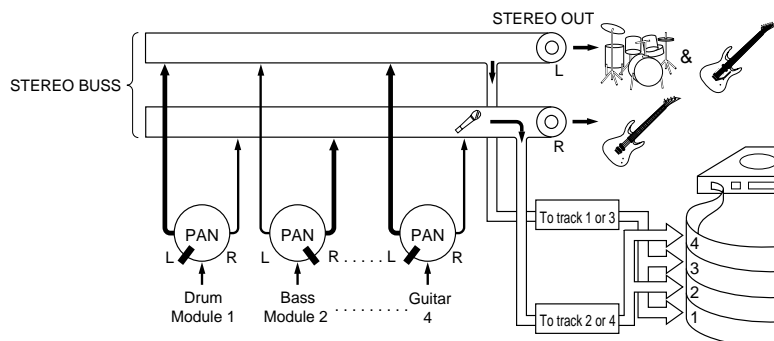
There is another problem. Any spatial nuances--the subtle things you might want to do with positioning sounds in the left-to-right stereo image--can be lost if you have only one track reserved for your drum machine.

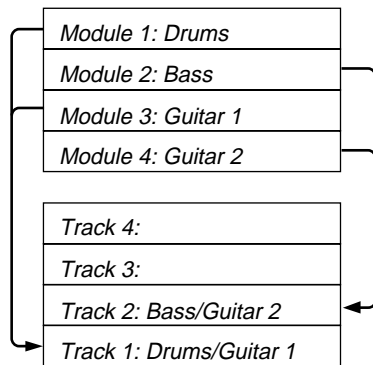
The special one-take recording capabilities of the MT50 explained below allow you to accomplish some pretty slick tricks to solve these problems. These techniques involve the MT50's sophisticated ability to control the placement of sound in the stereo image, and its ability to bounce multiple left and right tracks to a stereo two-track mix.

This might sound complicated, but it's easy to do. It basically involves just two controls: the Record Select (REC SEL) switch and the PAN control. For example:

- You can record four instruments at the same time, but use up only two tracks in the process.
- Many drum machines, sequencers, and synthesizers output stereo sound. Perhaps you spent a lot of time programming a drum machine so that different drum sounds (bass, snare, etc.) are panned left or right in the stereo image. This can make a recorded drum part far more dynamic. Using this technique, you can preserve the stereo placement of a previously-programmed drum machine or synthesizer without running out of tracks.
- Perhaps you want to create stereo guitar effects using, for example, a stereo chorus connected to two guitar amplifiers with different tonal characteristics or delay times. You might then record this stereo output to two tracks so the left and right channels of your guitar solo have a different tone. If you bounce the solo to a single track, you would lose the left-and-right placement of your guitar's two tones, essentially undoing your efforts. Using this technique, you can preserve the stereo nuances of your solo.

The following diagram illustrates how signals from each PAN control are routed to the stereo bus (the two thick horizontal pipes in the diagram) and output via the STEREO OUT jacks. That is, each PAN control functions as a "turn indicator" directing signals onto the stereo bus. The following pages will explain how to record four musical instruments on two tracks, and how to keep a stereo image of two instruments on a recording. As the diagram shows, the L output is sent to tracks 1 and 3, and the R output is sent to tracks 2 and 4.





! In this example, we pan hard right and hard left. This is just to keep things simple. Experiment with stereo placement. Try panning partially right or partially left to create an interesting stereo image.

## Recording Four Instruments to Two Tracks in One Take

Say you want to record drums, bass, rhythm guitar, and lead guitar at the same time while leaving a couple tracks open for later use.

1. **Connect the drum mike to the MIC/LINE input of Module 1; bass to Module 2; rhythm guitar to Module 3; and lead guitar to Module 4.**
2. **Adjust the GAIN switches, monitor controls, and input faders as discussed in “Chapter 3: Basic Recording.”**
3. **Set the REC SEL switch for each module, as follows:**

Set the REC SEL switch for Module 1 to “L.”

Set the REC SEL switch for Module 2 to “R.”

Set the REC SEL switch for Module 3 to “OFF.”

Set the REC SEL switch for Module 4 to “OFF.”

In this set-up, Tracks 3 and 4 will not be recorded. Track 1 will record the left stereo channel. Track 2 will record the right stereo channel.

4. **Set the PAN controls for each instrument’s stereo placement:**

Set the PAN control for Module 1 to “L.”

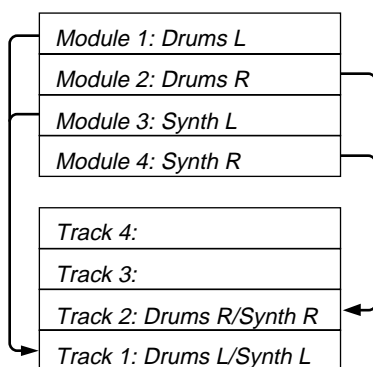
Set the PAN control for Module 2 to “R.”

Set the PAN control for Module 3 to “L.”

Set the PAN control for Module 4 to “R.”

5. **Press the REC button and start up the band!**

The instruments you connected to inputs 1 and 3 will be combined on Track 1. The instruments you connected to Inputs 2 and 4 will be combined on Track 2. Tracks 3 and 4 are available for additional recording.



**!** You can record up to three different stereo musical instruments by connecting the third stereo instrument to the AUX RETURN jacks.

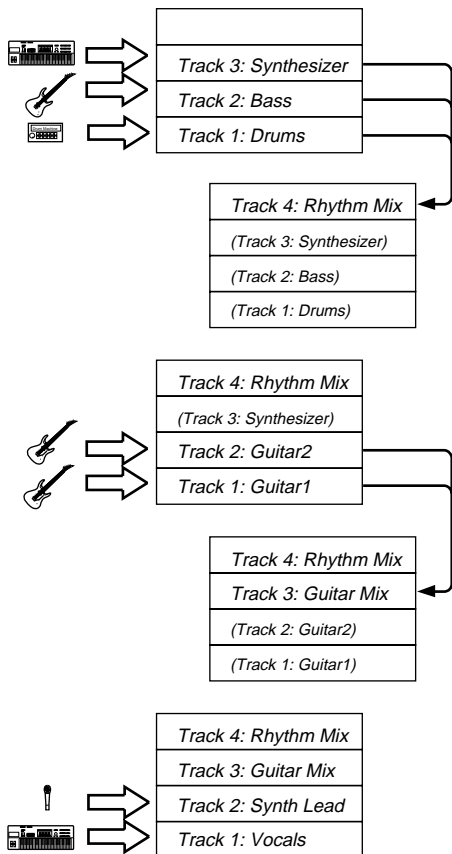
## Preserving the Stereo Image of Two Instruments

1. Connect one stereo instrument to the MIC/LINE inputs for Modules 1 and 2 (L output to Module 1, R output to Module 2).
2. Connect another stereo instrument to the MIC/LINE inputs for Modules 3 and 4 (L output to Module 3, R output to Module 4).
3. Adjust the GAIN switch, monitor controls, and input faders as discussed in “Chapter 3: Basic Recording.”
4. Set the REC SEL switch for each module, as follows:
  - Set the REC SEL switch for Module 1 to “L.”
  - Set the REC SEL switch for Module 2 to “R.”
  - Set the REC SEL switch for Module 3 to “OFF.”
  - Set the REC SEL switch for Module 4 to “OFF.”
5. Set the PAN controls to retain each instrument’s stereo placement in the mix, as follows:
  - Set the PAN control for Module 1 to “L.”
  - Set the PAN control for Module 2 to “R.”
  - Set the PAN control for Module 3 to “L.”
  - Set the PAN control for Module 4 to “R.”
6. Press the REC button and start playing both stereo instruments.
 

The left channel of each stereo instrument will be mixed to Track 1. The right channel for each instrument will be mixed to Track 2. Tracks 3 and 4 will be available for additional recording.



! The procedure to the right stops after we ping-pong Tracks 1, 2 and 3 onto Track 4. However, there is no need to stop there, as the following illustration suggests. By repeatedly bouncing tracks, you can make your MT50 sound like a ten (or more) track recording studio!



! You cannot apply effects to or adjust the balance of the tracks mixed in ping-pong recording. We recommend you to make any necessary adjustments before ping-pong recording.

## Ping-Pong Recording

Ping-Pong Recording allows you to bounce previously-recorded tracks to an unrecorded track. Using this technique, you can create a recording with more than four tracks.

This section explains two applications: example 1, mixing Tracks 1, 2, and 3 to Track 4; and example 2, overdubbing a new sound source during ping-pong recording.

This will free up Tracks 1, 2, and 3 for additional instruments, solos, or vocals.

### Example 1:

- 1. Begin by recording a different instrument on each of Tracks 1, 2, and 3.**

For example, you could record drums, bass, and synthesizer (or substitute other instruments). See Chapter 3: Basic Recording for more information. Don't forget to set the ZERO STOP switch.

- 2. Rewind the tape to the start of the song.**

- 3. Disconnect any instruments that may be connected to the MIC/LINE inputs for Tracks 1, 2 and 3.**

- 4. Set the MONITOR SELECT switch to CUE.**

- 5. Set the MONITOR/PHONES control to about half-way.**

Adjust it later if the monitors are too loud or too soft.

- 6. Turn the PAN controls for Modules 1, 2, and 3 all the way to the right (R).**

The signal from Modules 1, 2, and 3 is routed to stereo bus output R.

- 7. Set the REC SEL switch for Modules 1, 2, and 3 to OFF.**

We don't want to record anything over our previously-recorded tracks.

- 8. Set the REC SEL switch for Module 4 to R.**

The REC indicator for Module 4 is flashing.

In this way, you can record Tracks 1, 2, and 3 onto Track 4.

- 9. Set the faders for Modules 1, 2, and 3 to about 7.**

- 10. Set the CUE level of Module 4 to about 7.**

- 11. Press the REC button to start a temporary recording.**

- 12. Adjust the recording level of Track 4, while balancing the volume level of Tracks 1-3.**

Use the module 1, 2, and 3 faders to adjust the level balance so that the level meter +6 of Module 4 will light up momentarily.

- 13. Once you have determined the correct position for the input fader for Module 1-3, repeat the process for the final ping-pong.**

You can use this process over again to combine and mix three tracks into one. Unfortunately, the sound quality will deteriorate rapidly after a couple of bounces. Using this technique, the MT50 can function as though it had far more than four tracks!

You can perform ping-pong recording of Tracks 1, 2, and 3, and simultaneously overdub an instrument connected to Module 4.

The procedure is almost the same as that described above (1-13), except for the following steps:

**Example 2:**

**3'. Connect an instrument to Module 4.**

**6'. Turn the PAN control for Module 4 all the way to the right (R).**

**12'. Adjust the recording level of Track 4 so that the +6 level meter for Module 4 lights up momentarily, while balancing the volume level of Tracks 1-4 using the faders.**

**!** Lower the faders of the tracks you do not want to include in the mix when ping-pong recording.

*Note:* Avoid ping-pong recording to an adjacent track (for example, bouncing track 2 to track 1 or track 3) as much as possible. Otherwise, cross-talk (signal leak at the recording head) may cause feedback

When you are ping-pong recording to an adjacent track, set the recording level carefully. Do not boost the *HIGH EQ* too much.

We also recommend that you set the *dbx ON* to avoid feedback as much as possible.

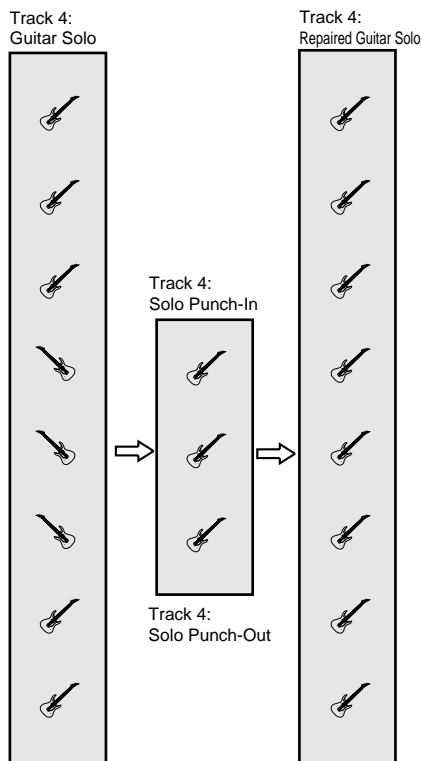
## Punch In/Out Recording

This technique is used to re-record mostly to correct mistakes by re-recording a short section of tape on one track.

For example, say you just played a great guitar solo over some basic rhythm tracks, but you flubbed a couple of notes in Bar 4. The solo was recorded to Track 4. (Other instruments occupy Tracks 1, 2, and 3.)

You could punch-in at the start of Bar 4, play your part again (this time hitting every note perfectly!) and punch out at the end of Bar 4. When you listen to the playback of the solo, the punch-in edits are flawless! Nobody will ever know that you didn't play the part perfectly the first time.

You can punch in and out with or without a footswitch. This section explains both methods, but we recommend that you use the footswitch since you can operate it with your foot.



! **Make sure you re-play enough of the solo to make it flow smoothly.**

! **Practice playing along with your guitar solo a few times through the end of Bar 4 to get ready for the actual punch-in. Work on your timing, and try to make the new performance of Bar 4 blend in smoothly with the existing take. When you are satisfied, rewind the tape.**

*Yamaha supplies an optional footswitch, FC-5. Note that using a footswitch other than Yamaha's may cause mistiming.*

### Punch in/out recording using a footswitch:

1. **Connect a footswitch to the PUNCH I/O jack.**
2. **Set the REC SEL switches for Modules 1, 2, and 3 to OFF.**
3. **Set the REC SEL switch for Modules 4 to "4."**  
The REC INDICATOR for Track 4 will start flashing.
4. **Set the MONITOR SELECT switch to MIX.**
5. **Make sure the MONITOR/PHONES control is set as it was before.**
6. **Make sure the input fader for Modules 4 is set to the same level as it was during the original take of your guitar solo.**

If you record the punch-in at a different volume level, it will not blend into the previously-recorded track and your edit will be obvious.

7. **Press the PLAY button to play the song for the actual punch-in.**
8. **Play along with your guitar solo, or get ready to start in tempo at the start of Bar 4.**  
Tapping your foot can help a lot!
9. **At the start of Bar 4, press the footswitch to start recording over Track 4. Play Bar 4 of your solo. At this time, the REC indicator of Module 4 lights up.**

The timing is critical. If you start too early, you will erase recorded material before Bar 4--the stuff you want to keep!

10. **At the end of Bar 4, step on the footswitch. The REC indicator of Module 4 flashes.**

Again, the timing is critical. If you step on the footswitch to stop recording too late, you will erase material after Bar 4.

### Punch in/out recording without using a footswitch:

The basic procedure is the same as that with a footswitch, except for the following steps:

- 1'. **(No connection.)**
- 9'. **Set the REC SEL switch while holding down the PLAY button to 4 at the beginning of Bar 4, start recording on Track 4 and play the instrument.**
- 10'. **At the end of Bar 4, set the STOP to OFF.**

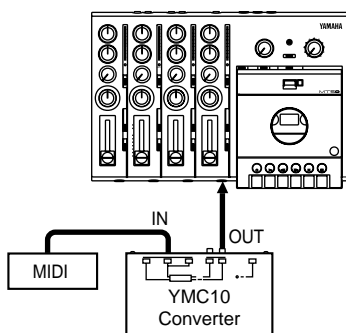
### Using a Tracking Sheet

The following illustration shows how to fill out a Tracking Sheet. You can write down the instrument played on each track and mark the settings of the panpots and faders for future reference. A blank Tracking Sheet appears in the Appendix. Photocopy it for repeated use. The information can prove valuable later when you want to recreate a particular sound.

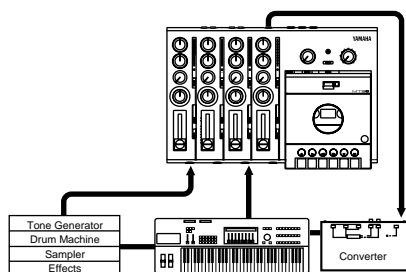
A	Track	Instrument	Other Info	High	Low	Aux	Pan	Fader	Start	Stop	To Track
	1	Drum Machine	Program 012					7	000	350	B-4
	2	Bass	Alembic through Ampeg					7	000	350	B-4
	3	Rythm Guitar	Gibson ES-225, Mesa Boogie					7	064	350	B-2
	4	Lead Guiiar	'57 Strat, tweed Princeton					8	172	280	B-2

B	Track	Instrument	Other Info	High	Low	Aux	Pan	Fader	Start	Stop	To Track
	1										
	2	Guita mix	ES-225 and Strat						064	350	
	3										
	4	Drum/Bass	Rhythm track						000	350	



! You can take the sound output from the MIDI instrument and record it on any open track, syncing the MIDI performance with your own!



! To make sure a sync recording is done correctly:

Note the following items to make sure sync recording is done correctly.

- Set the FSK signal recording level of track 4 between 0 and +3dB.
- When the dbx switch is set to "SYNC", do not record any musical on track 4.
- Try not to record music on an adjacent track (track 3) during sync recording (when playing back the FSK signal on track 4).

## Synchronization

By recording a timecode onto Track 4, you can synchronize the MT50 with a MIDI sequencer or drum machine.

(FSK stands for Frequency Shift Keying, in case you were wondering. It is a type of MIDI performance tempo data. The track that contains the FSK signal is a little like the conductor of an orchestra who controls the tempo for your sequencers or drum machines.)

If this applies to your sequencer or drum machine, purchase Yamaha YMC 10 MIDI FSK converter and connect it between your MIDI sequencer or drum machine and the MT50.

1. **Connect the Tape Sync Out from YMC 10 to the MIC/LINE input of Module 4.**
2. **Set the sync clock on your MIDI device to "Internal."**
3. **Set the input fader of Module 4 to about 8**
4. **Set the dbx switch to the SYNC or OFF position.**  
When the dbx switch is set to SYNC, Tracks 1, 2, and 3 are set to dbx ON. Track 4 is set to OFF.
5. **Set the REC SEL switch for Modules 1, 2, and 3 to "OFF." Set the REC SEL switch for Module 4 to "4."**  
The REC indicator for Module 4 is flashing.
6. **Press the REC button.**  
The REC indicator lights up.
7. **Play your sequencer or drum machine and record FSK signal for the duration of your song.**
8. **When finished, remove the cable from Module 4.**
9. **Rewind the tape.**
10. **Connect the MT50's Sync Out jack to the YMC10 Tape Sync In jack.**
11. **Set up your MIDI sequencer or drum machine for sync playback.**  
(Set the sync clock on MIDI device to "MIDI"). See the manual that came with the sequencer or drum machine for more information.
12. **Press the PLAY button on the MT50.**  
Your MIDI sequencer or drum machine will be triggered by the sync signal output from the MT50.
13. **Play along with the MIDI parts using your guitar, voice, piano, etc., and record them using the basic techniques discussed earlier.**

# Appendix

## Troubleshooting

If you're having trouble operating MT50, or it doesn't seem to be working as it should, look up the symptoms in the following table and see what to do.

Symptom	What to Do
<b>MT50 cannot be powered ON.</b>	Make sure the AC adaptor is connected to a suitable AC outlet.
	Make sure the AC adaptor is connected to MT50's DC 12V connector.
	Make sure the POWER switch on MT50's rear panel is set to ON.
	If MT50 still cannot be powered ON, please contact your Yamaha dealer.
<b>Cannot record.</b>	Make sure there's a cassette loaded.
	Make sure the tape's not wound all the way to the end.
	Make sure that the cassette's record protect tabs are intact.
	Check to see if the REC SELECT switch is set correctly.
<b>Recordings sound noisy or distorted.</b>	When recording, make sure you set the fader so that the 0 light is on most of the time and the +6 light is on occasionally. If the signal level is too low, the recording may sound noisy. If it is too high, distortion may occur.
<b>Recordings sound dull, suffer from wow and flutter, or are of poor quality.</b>	Be sure to use high-quality Type II (High Bias 70 $\mu$ s EQ) chrome cassettes.
	Clean the tape head and mechanism. See "MT50 Maintenance" on page 27.
	Try a new cassette.
<b>Cannot play.</b>	Make sure the cassette is loaded correctly.
	Make sure the tape's not wound all the way to the end.
<b>Recordings playback at the wrong pitch.</b>	Make sure you have not changed the position of the PITCH slider since recording.
<b>Cannot send signal to external effects processor, or the effects processor does not correctly apply an effect.</b>	Turn up the channel's AUX control and raise the fader. Check the AUX RETURN level.
<b>No sound from headphones.</b>	Turn up the MONITOR/PHONES control. Make sure the MONITOR SELECT switch is set correctly.
<b>When overdubbing, you can't hear the instrument you're playing.</b>	Raise the fader for the input module. Make sure the MONITOR SELECT switch is set to CUE. Raise the CUE slider.
<b>Tape sync does not function correctly.</b>	Make sure the recording level of the FSK signal is set to about +3dB. Make sure that you are not using an overly-worn tape. Check your sequencer's manual for information. If you are using a MIDI-to-FSK converter, make sure it is connected correctly.

## MT50 Maintenance

The MT50 requires regular maintenance to remain in top operating condition. If you perform the following simple maintenance procedures at regular intervals, your MT50 will be a faithful musical companion for many years.

- Clean the recording head, capstans, and rollers. (See the “Precautions” at the start of this user’s guide.)
- Demagnetize the recording head at regular intervals.

### Cleaning the Recording Head and Components

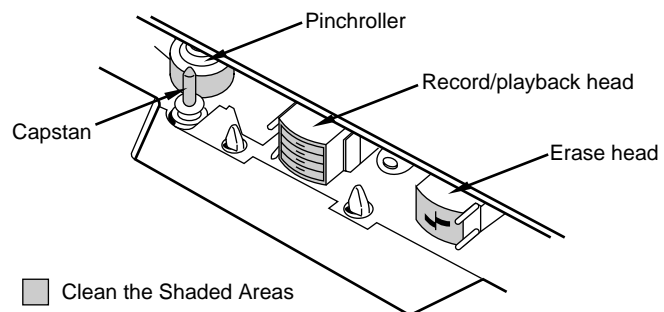
The recording heads are the delicate components that touch the recording tape. Over time they tend to become coated with an oxide residue and need to be cleaned. (Otherwise, you’ll soon notice a lack of high frequencies in your recordings.)

The surrounding components--called capstans and rollers--also tend to become coated with residue and dust particles. (This increases the wow and flutter of your recordings.)

To clean the recording head and capstan, use a head-cleaning kit. These kits generally include specially-made cotton swabs and an isopropyl alcohol-based cleaning solution, and are available at audio and electronics shops. Follow the directions on the kit, carefully wiping the recording head and the capstan with a swab soaked in cleaning solution.

It is best to clean the rollers with a non-alcohol based rubber cleaning solution, which is often included in the cleaning kits. Alcohol tends to dry out and corrode the rubber part of the roller.

Clean these components often, after no more than ten hours of recording use. If the head becomes dirty, the MT50 may sound distorted or noisy. In severe cases, the MT50 may not be able to playback or record at all. If you expect optimal results from a recording session, it is best to clean the heads before the session.



## **Demagnetizing the Recording Head**

As the recording tape passes over the recording head, it tends to impart a tiny amount of magnetism to the head. The head collects this magnetism over a period of time, slowly becoming magnetized. You need to demagnetize the head using a commercially-available head demagnetizer. (These are also available at most audio and electronics shops.) Read the directions on the demagnetizer carefully. If you do not use the demagnetizer correctly, you could seriously damage the recording head. Also, keep recorded tapes away from the demagnetizer when it is in use; the demagnetizer can accidentally erase your tapes!

It is best to demagnetize the recording head after no more than ten hours of recording use. If you are planning a special session, it is a good idea to clean and demagnetize the head before the session to ensure the best sounding results.



# Specifications

## General Specifications

Tape Transport	Tape Type	C46-90 cassette (Type II High Bias 70 $\mu$ s EQ)
	Track Format	4 tracks
	Head System	4-channel record/playback (hard permalloy head)
		4-channel erase (ferrite head)
	Motor	DC servo
	Tape Speed	9.5 cm/sec
	Pitch Control	$\pm 10\%$
	Wow & Flutter	0.12% W. RMS
Rewind Time	C60 tape $\rightarrow$ Approx. 120 seconds	
Mixer Specs	Frequency Response	MIC IN to STEREO OUT, LINE IN to STEREO OUT, LINE IN to PHONES OUT: 20 Hz-20 kHz +1, -4 dB
	S/N Ratio	MIC IN to STEREO OUT: 68 dB, IHF-A (GAIN: MIC)
		LINE IN to STEREO OUT: 70 dB, IHF-A (GAIN: LINE)
	EQ	LOW: $\pm 12$ dB, 80 Hz, shelving
HIGH: $\pm 12$ dB, 12 kHz, shelving		
Recorder Specs	Frequency Response	40 Hz-16 kHz +3, -5 dB (dbx* OFF)
	S/N Ratio (@3% THD)	85 dB (dbx* ON, IHF-A)
	Distortion	1.5% (400 Hz, -10 dB recording level)
	Erasure Ratio	55 dB (1 kHz, 0 dB recording level, dbx* OFF)
	Noise Reduction	dbx*
Connections	MIC/LINE	Input impedance: 10k $\Omega$
		Nominal input level: -10, -30, -50 dB (fader nominal)
		Min. input level: -56 dB (gain control MIC, fader max)
		Max. input level: +6 dB (gain control LINE, fader nominal)
	AUX RETURN L/R	Input impedance: 10k $\Omega$
		Nominal input level: -10 dB (AUX RETURN control nominal) Min. input level: -16 dB (AUX RETURN control max)
	STEREO OUT L/R	Output impedance: 1k $\Omega$ Nominal load impedance: 10k $\Omega$ Nominal output level: -10 dB (10k $\Omega$ load)
	AUX SEND	
MONITOR OUT L/R		
SYNC OUT		
PHONES (stereo)	Nominal load impedance: 8-40 $\Omega$ Max. output level: 30mW (40 $\Omega$ load)	
General	Power Supply	AC adaptor (PA-1206)
	Dimensions (W $\times$ H $\times$ D)	337 $\times$ 69.3 $\times$ 231 mm
	Weight	1.7 kg
	Option	FC5 Footswitch for punch-in/out recording

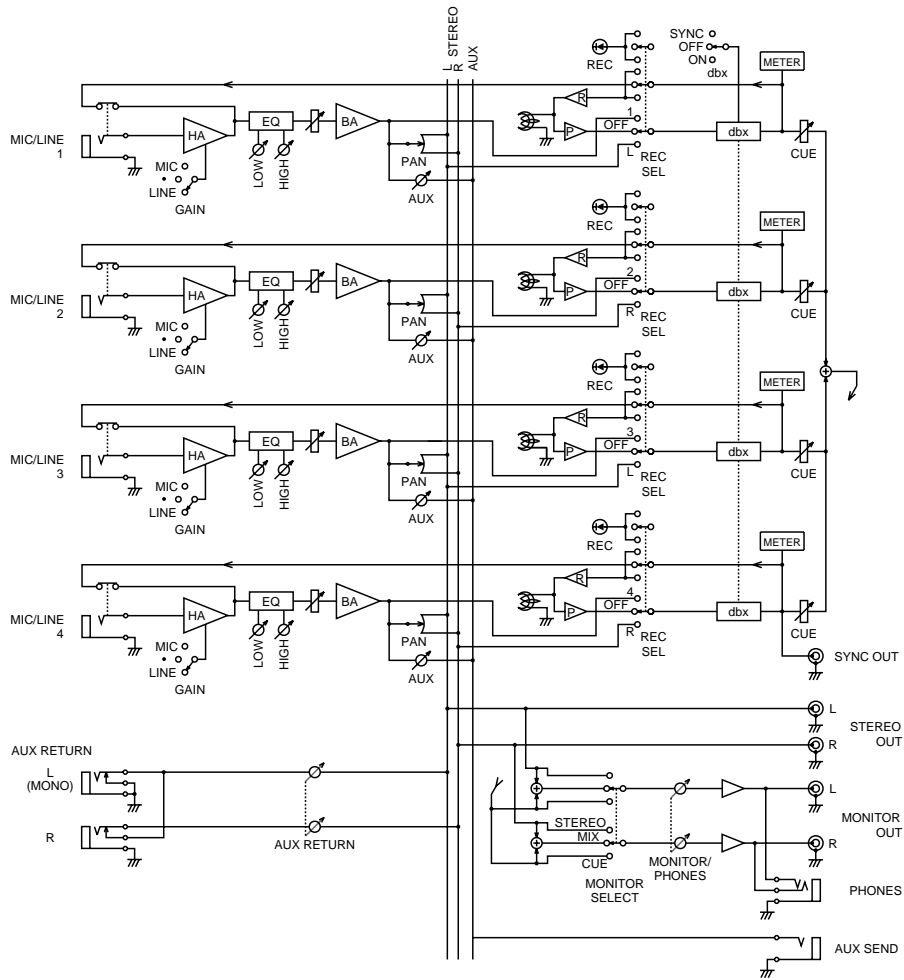
0 dB = 0.775 V rms

\* dbx noise reduction system was manufactured based on a patent license from THAT Corporation.

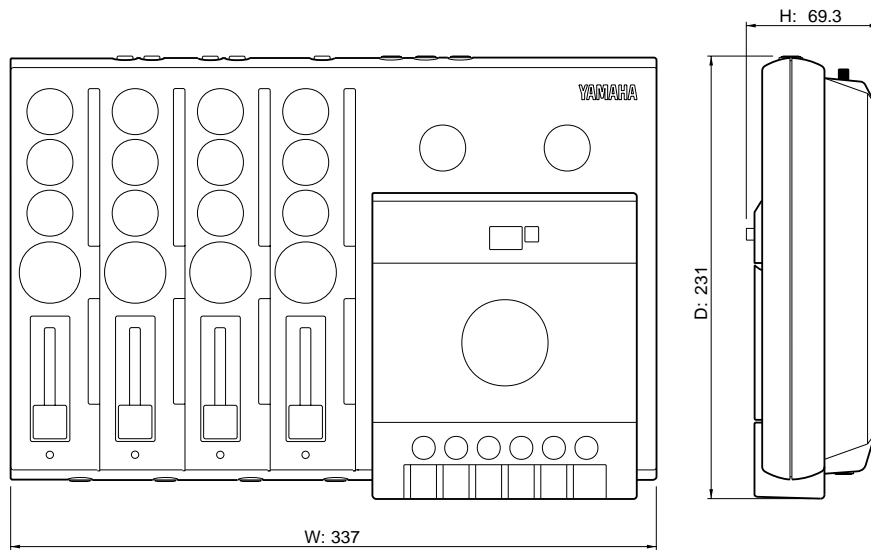
dbx is a trademark of Carillon Electronics Corporation.

All specifications subject to change without notice.

## Block Diagram



## Dimensions



---

# Glossary

---

**AUX RETURN (Auxiliary Return)** — The AUX RETURN control determines the amount of signal that is fed back to the MT50 via the AUX RETURN input connectors (generally after processing by an external effects unit connected to the AUX SEND).

**AUX SEND (Auxiliary Send)** — Each module includes an AUX SEND control, which determines the amount of signal fed to the AUX SEND output connector (generally for processing by an external effects unit).

**Capstan** — The slender, pin-like component adjacent to the roller. The tape passes between the capstan and roller.

**CUE slider** — Each module includes a CUE slider, which controls the amount of signal fed to the CUE signal path. The MONITOR SELECT switch includes a setting for CUE monitoring.

**DAT (Digital Audio Tape)** — Audio tape that records a digital, as opposed to analog, signal on a magnetic recording tape. DAT machines are often used as master recording units.

**dbx noise reduction** — Tape recording is always noisy. MT50 uses dbx noise reduction to reduce noise and keep your recordings clean and crisp.

**Demagnetizer** — A hand-held device shaped like a small wand attached to an electric cord. The demagnetizer removes the magnetic field that routinely builds up on a recording head and is an integral part of maintaining any tape recorder.

**Equalization (EQ)** — The process of adjusting (boosting or cutting) the high and low frequency ranges for optimal sound. Each module contains both a HIGH and LOW equalization control, which function much like the bass and treble controls on a stereo hi-fi system.

**Fader** — Each module contains a fader, which is a large slider that controls the input level during recording and the output level during playback.

**FSK (Frequency Shift Keying)** — A device that translates MIDI clock data into frequencies that can be recorded for synchronization purposes.

**GAIN switch** — Various musical instruments and devices output different levels of signal. Gain is a measure of electronic input over output. Each module includes a GAIN switch that can be set to line, instrument, or microphone levels.

**Head** — The delicate metal component that touches the magnetic recording tape, imparting the signal to be recorded.

**Instrument level** — The level of gain output by such devices as an electric bass or guitar. Set the GAIN switch to about halfway for an instrument-level.

**Line level** — The level of gain output by such devices as a synthesizer, drum machine, CD player, etc. The lowest setting of the GAIN switch.

**Master recorder** — A second tape recorder used during the mixdown process. The master recorder can be any two-track stereo recorder, such as a standard cassette, reel-to-reel, or DAT recorder.

**MIC/LINE input** — Each module includes a MIC/LINE input to connect a musical instrument or electronic device for recording.

**MIDI (Musical Instrument Digital Interface)** — A digital data format standardized to ensure compatibility between electronic musical instruments from different manufacturers.

**Mixdown** — The recording process by which you combine multiple tracks (often four) into a stereo mix.

**Module** — The MT50 includes four modules, which are the groups or columns of identical controls on the left side of the MT50.

**MONITOR/PHONES control** — Controls the amount of signal fed to the speakers through the left and right MONITOR OUT jacks or to the Headphone jack.

**Multitrack** — Audio recording in which a multitrack tape recorder creates multiple independent tracks (four on the MT50) on magnetic tape allowing for control and processing of individual instruments or signals.

**One-Take recording** — Recording several instruments simultaneously (four on the MT50) for later mixdown. Excellent for recording a live band.

**Overdub recording** — Recording one track while listening to another track or tracks. Excellent for individuals recording multiple instruments in sequence, such as a song demo

**Pan** — Controls that shift a signal to the left or right side of a stereo image. From the word “panoramic.” Each module includes a PAN control.

**Pitch** —The relative frequency of a musical sound; its highness or lowness. The PITCH slider controls the pitch of a recorded playback by fine-tuning the speed at which the tape rolls over the head.

**Ping-Pong recording** — Also known as bouncing. The transfer of a recording from one track to another to effectively increase the number of tracks available for recording.

**Post fader** — MT50’s aux sends are configured post fader, which means that the aux send signal is sourced after the fader. To feed a signal to an external effects processor via the aux send, turn up the AUX control and raise the fader. The advantage is that you can fade both channel and aux send signals simultaneously. Compare with *Pre-fader*.

**Pre-fader** — A signal that is sourced before the fader, therefore, the fader has no control on the signal.

**Punch-In/Out recording** — A recording technique used primarily to correct mistakes by re-recording over a short section of a track.

**Roller** — The small, rubber wheel near the capstan that smooths the movement of the tape over the head.

**Stereo mix** — A two-track mix with left and right stereo channels. The finished product of a mixdown session.

**Striping the tape** — Applying a timecode to the tape for synchronization purposes. On the MT50, you apply the timecode to Track 4.

**Synchronization** — The technique of coordinating external MIDI instruments and the playback of the MT50 via a timecode.

**Track** — A physical band on a recording tape created by a recording head. The MT50 creates four tracks on one side of a standard audio cassette.

**Tracking sheet** — A chart that lists what is to be recorded on each track and in what order.

**Multitrack Cassette Recorder**

**MT50**

**Manuel de l'utilisateur**

---

# Précautions

Veillez lire les précautions suivantes avant de manipuler votre MT50.

## Sécurité

- Assurez-vous que le câble d'alimentation n'est pas placé dans un endroit où l'on risque de marcher dessus ou de l'écraser sous d'autres appareils.
- Evitez d'exposer le MT50 au soleil, à des températures extrêmes, à une forte humidité, à la poussière ou à des chocs violents.
- La température ambiante de la pièce dans laquelle vous installez le MT50 doit être située entre 10°C et 35°C (50°F et 95°F).
- N'utilisez que l'adaptateur fourni avec le MT50. Evitez les adaptateurs d'une autre marque.
- L'adaptateur doit être branché à une prise du type précisé sur l'adaptateur lui-même ou dans ce *Manuel de l'utilisateur*.
- Avant de brancher l'adaptateur au MT50, débranchez-le de la prise d'alimentation. Il faut toujours d'abord brancher l'adaptateur au MT50 puis à une prise d'alimentation.
- Prenez toujours l'adaptateur fermement en main pour le débrancher de la prise d'alimentation. Ne tirez jamais sur le cordon.

## Manipulation

- Pour éviter tout risque d'électrocution, n'ouvrez pas le MT50.
- Afin de réduire le risque d'incendie et d'électrocution, évitez toute exposition du MT50 à une forte humidité ou à de la pluie.
- Dans un environnement fort humide, de la condensation peut se former sur les parois intérieures et extérieures du MT50. S'il y a de la condensation, laissez le MT50 sous tension sans l'utiliser. Attendez que la condensation ait entièrement disparu.

## Entretien

- Utilisez un chiffon doux et sec pour nettoyer le MT50.
- Si le MT50 nécessite un nettoyage plus approfondi, servez-vous d'un chiffon doux, légèrement humide. Pour les traces plus tenaces, utilisez un détergent doux. Evitez les détergents plus agressifs et ceux à base de solvants tels que l'alcool et le benzène.

## Dépannage et réparations

- Pour tout entretien ou réparation, veuillez vous adresser à un personnel qualifié.
- Si vous avez un des problèmes suivants, veuillez vous adresser à un personnel qualifié:

La prise ou le câble de l'adaptateur est endommagé.

Des objets métalliques ou du liquide ont pénétré dans le MT50.

Le MT50 est resté sous la pluie.

Le MT50 est tombé ou son boîtier est endommagé.

Le MT50 ne fonctionne pas normalement ou vous avez remarqué un changement prononcé de ses performances.

© 1994 Yamaha Corporation. Tous droits réservés.

Toutes les marques sont la propriété de leurs détenteurs respectifs.

---

# Table des matières succincte

<b>1</b>	<b>Introduction au MT50</b> .....	<b>1</b>
	En ce qui concerne ce manuel .....	1
	Qu'est-ce que le MT50? .....	1
	Choix des cassettes .....	2
	Enregistrement multipiste .....	2
	Avez-vous assez avec quatre pistes? .....	2
	Quelques suggestions .....	3
<b>2</b>	<b>Présentation du MT50</b> .....	<b>4</b>
	Bornes .....	8
<b>3</b>	<b>Enregistrement élémentaire</b> .....	<b>9</b>
	Chargement de cassette dans le MT50 .....	9
	Mise sous tension .....	9
	Préparation .....	9
	Etape 1 — Enregistrement de la batterie .....	10
	Etape 2 — Enregistrement de la basse .....	11
	Etape 3 — Enregistrement de la guitare .....	12
	Etape 4 — Enregistrement du chant .....	13
	Etape 5 — Mixage .....	14
	Préparation .....	14
	Balance des niveaux .....	14
	Panoramique .....	15
	Egalisation .....	15
	Ajouter des effets .....	15
	Enregistrement du mélange .....	15
	Exemple d'utilisation .....	16
<b>4</b>	<b>Enregistrement avancé</b> .....	<b>17</b>
	Enregistrement en une prise .....	17
	Enregistrement ping-pong .....	17
	Enregistrement par insertion .....	17
	Synchronisation .....	18
	Enregistrement en une prise .....	18
	Enregistrement ping-pong (fusion de pistes) .....	22
	Correction (Punch In/Out) .....	24
	Synchronisation .....	26
	<b>Appendice</b> .....	<b>27</b>
	Dépannage .....	27
	Entretien du MT50 .....	28
	Caractéristiques techniques .....	30
	Caractéristiques générales .....	30
	Schéma .....	31
	Dimensions .....	31
	<b>Glossaire</b> .....	<b>32</b>

# 1

## Introduction au MT50

Nous vous remercions d'avoir opté pour le Multitrack Cassette Recorder MT50 de Yamaha. Le MT50 est un enregistreur à cassette quatre pistes au maniement simple. Il vous permet de procéder à des enregistrements de qualité exceptionnelle. Afin d'en tirer le maximum, nous vous invitons à lire attentivement ce manuel.

### En ce qui concerne ce manuel

Ce *Manuel de l'utilisateur* consiste en quatre chapitres principaux.

- Chapitre 1: Introduction au MT50
- Chapitre 2: Présentation du MT50
- Chapitre 3: Enregistrement élémentaire
- Chapitre 4: Enregistrement avancé

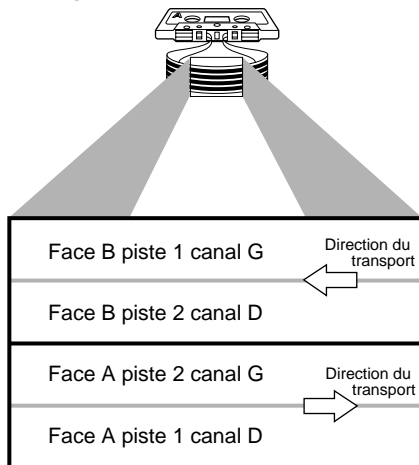
Le "Chapitre 2: Présentation du MT50" détaille les commandes et les branchements du MT50. Le "Chapitre 3: Enregistrement élémentaire" décrit une installation élémentaire ainsi que la procédure de mise sous tension; il donne en outre, pas à pas, les opérations à faire pour enregistrer les pistes une par une et les mixer. Quant au "Chapitre 4: Enregistrement avancé", il décrit quelques techniques d'enregistrement plus avancées du MT50, telles que l'enregistrement en une prise, la technique "ping-pong", l'enregistrement par insertion et la synchronisation de bande MIDI.

Si vous faites vos premiers pas dans le domaine de l'enregistrement multi-piste, lisez attentivement le chapitre 2. L'appendice vous propose en outre des informations techniques ainsi qu'un glossaire.

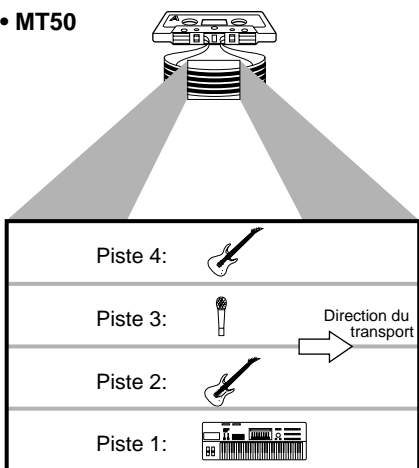
### Qu'est-ce que le MT50?

Un enregistreur de cassette standard n'utilise que deux pistes (à savoir, la gauche et la droite); ces deux pistes sont enregistrées simultanément. Le MT50, par contre, fait appel à quatre pistes sur une cassette audio normale. Plus important, encore, vous pouvez enregistrer et reproduire ces quatre pistes individuellement. Vous pouvez soit enregistrer ces quatre pistes ensemble, soit une par une (enregistrement piste par piste). Le MT50 n'utilise qu'une face de la cassette audio puisqu'il fait appel aux quatre pistes en une fois. Il n'y a donc pas de face B. Si vous retournez la cassette, vous entendrez les quatre pistes jouées à l'envers. Le MT50 utilise toute la largeur de la bande de la cassette. Le MT50 fait appel au système de réduction de bruit dbx pour réduire le sifflement de la bande et garder toute la pureté de votre enregistrement. Une fois vos quatre pistes enregistrées, vous pouvez effectuer un mixage stéréo au moyen du mélangeur souple et flexible du MT50: il vous propose égalisation, panoramique et des bus Aux vous permettant d'ajouter des effets.

#### • Enregistreur à cassette standard



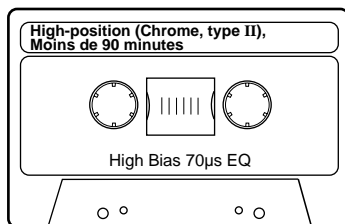
#### • MT50



! Le système dbx noise reduction a été produit conformément à un brevet de THAT Corporation.

dbx est une marque déposée de Carillon Electronics Corporation.





Bande	Temps d'enregistrement
90 min.	Approx. 22.5 min.
60 min.	Approx. 15 min.
30 min.	Approx. 7.5 min.

## Choix des cassettes

Pour un résultat optimal, nous vous recommandons des cassettes chrome high-quality Type II (High Bias 70  $\mu$ s EQ) de 90 minutes ou moins, telles que TDK SA, Maxell UD-XLII et Sony UX-S. N'utilisez pas de cassettes à bande métallique ou de 120 minutes. A vitesse normale, une cassette de 60 minutes vous offre environ 15 minutes d'enregistrement. En effet, la bande tourne à une vitesse deux fois supérieure à celle d'un enregistreur standard et vous ne disposez que de la face A.

## Enregistrement multipiste

L'enregistrement multipiste consiste simplement à enregistrer sur plus d'une piste (une piste est une partie physique de la bande d'enregistrement). Inventé par Les Paul dans les années '50, l'enregistrement multipiste a été une véritable révolution. Vous pouviez soudainement enregistrer divers instruments sur des pistes séparées d'une bande et les mixer ensuite en procédant à des réglages propres à chaque piste.

Le MT50 vous propose tout cela dans un boîtier extrêmement compact et portable, vous permettant d'enregistrer où bon vous semble: au studio avec le groupe ou dans votre chambre. Si vous combinez le MT50 avec d'autres technologies musicales telles que le traitement d'effets numériques et MIDI, vous produirez des enregistrements de niveau incomparable.

## Avez-vous assez avec quatre pistes?

Le MT50 est un enregistreur à quatre pistes: ses têtes d'enregistrement créent quatre pistes différentes sur la bande.

Vous aurez également remarqué que le côté gauche de l'appareil est composé de quatre groupes ou "modules" de commandes identiques. Ces modules commandent quatre canaux différents du mélangeur comprenant des commandes fader, tone, pan et aux send.

Cette combinaison de quatre entrées, quatre canaux de mélangeur et quatre pistes vous laisse une grande liberté. Vous pouvez créer un signal qui part de n'importe quelle entrée vers n'importe quelle piste sur la bande. (En d'autres termes, il est inutile d'enregistrer l'entrée du module 1 sur la piste 1 de la bande; l'entrée 1 peut être acheminée vers les pistes 2, 3, ou 4.)

Vous pouvez enregistrer piste par piste, en écoutant une partie tout en enregistrant une autre.

Vous pouvez également transférer des enregistrements effectués sur trois pistes différentes (maximum) sur une piste vierge. Cela vous permet d'enregistrer d'autres parties sur les pistes initiales et, éventuellement, de répéter la procédure. Cette technique – appelée ping-pong – vous permet d'étendre les possibilités de votre quatre-pistes et de le transformer en 10-pistes ou plus!

## Quelques suggestions

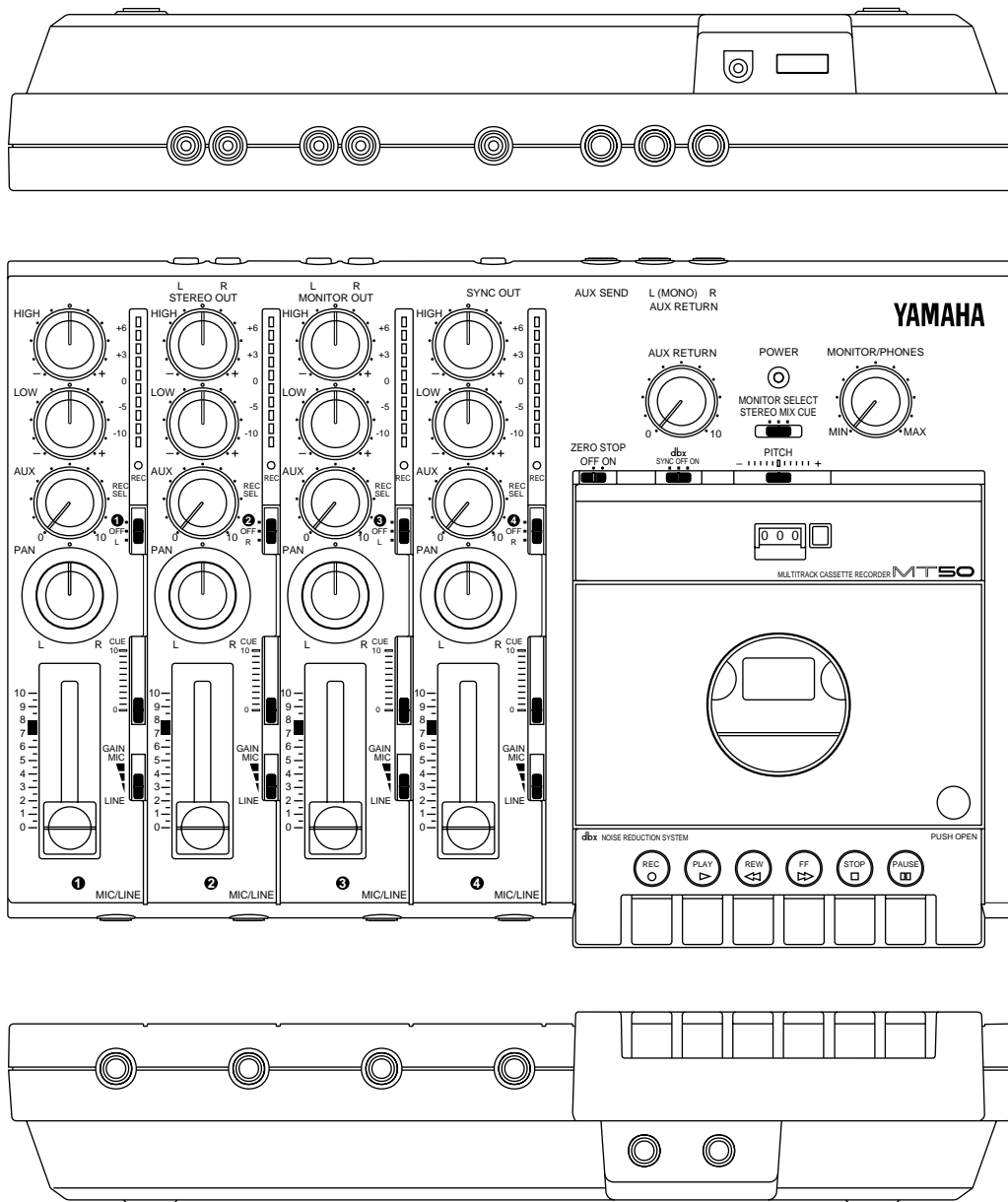
- Evitez les rheostats (les atténuateurs de lumière), les systèmes d'air conditionné ainsi que les néons ou les lampes fluorescentes. Tous ces appareils ajoutent un bruit à vos enregistrements.
- Si vous servez de microphones pour enregistrer, faites-le dans une pièce dont l'acoustique est bonne. Procédez à quelques tests pour savoir comment placer vos micros. Des réglages mineurs peuvent parfois changer considérablement la qualité du son.
- N'utilisez que des câbles blindés de haute qualité.
- Si vous disposez d'un processeur de réverbération analogique ou numérique, utilisez-le avec circonspection. Trop de réverbération peut brouiller le son. Il est parfois bon d'attendre le mixage final avant d'utiliser la réverbération pour que sa répartition soit plus égale.

# 2

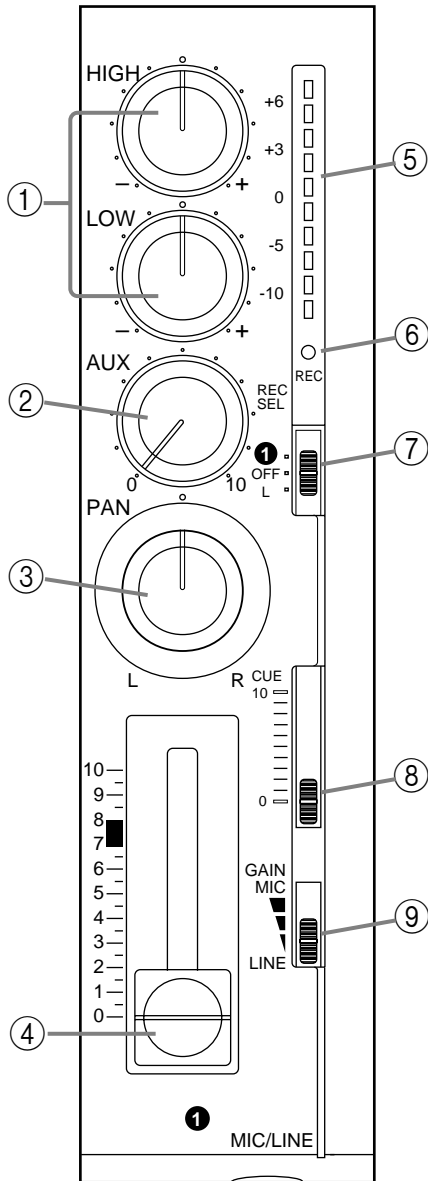
## Présentation du MT50

Ce chapitre vous emmène pour une visite guidée du MT50 et vous explique la fonction des diverses commandes et bornes ainsi que leur mode d'emploi.

Vous trouverez d'abord une description des commandes de module puis des commandes générales avant de passer aux bornes du MT50. Voyez les illustrations de ce chapitre pour repérer ces commandes et bornes. Cela vous facilitera la lecture du "Chapitre 3: Enregistrement élémentaire."



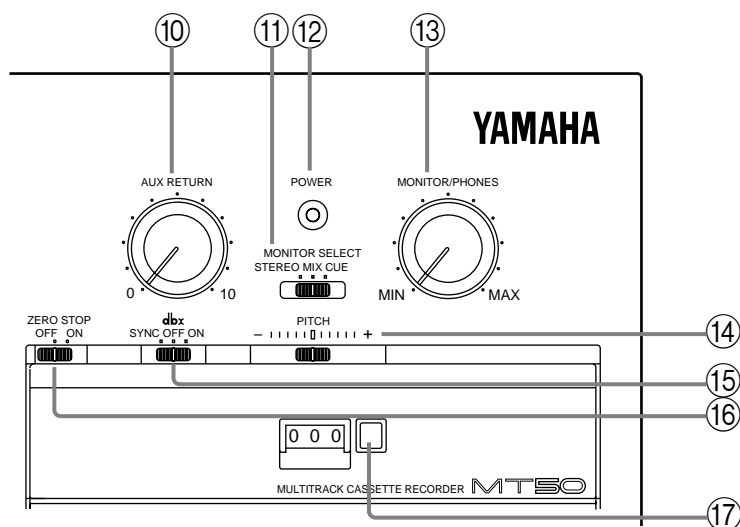
**Remarque:** Les commandes 1~9 sont identiques pour les quatre modules.



! Pour ceux qui aiment tout savoir: la commande HIGH a une fréquence centrale de 12kHz et la commande LOW, 80Hz. Les deux commandes sont pourvues d'un cut & boost allant jusqu'à 12dB.

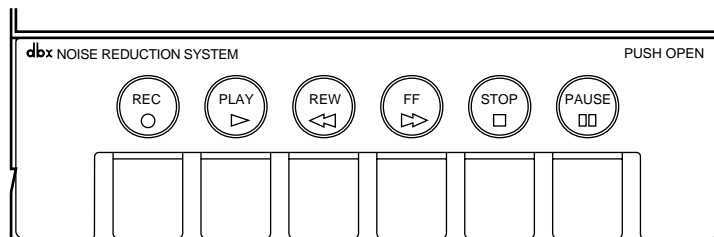
- ① **Commandes d'égalisation HIGH et LOW:** Ces commandes vous permettent de régler la tonalité (EQ). Si vous branchez quelque chose à l'entrée MIC/LINE, ces commandes modifient le signal entré (le signal à enregistrer). Lorsque rien n'est branché à cette entrée, ces commandes modifient le signal de reproduction (le signal de bande qui alimente le mix stéréo).
- ② **Commande AUX:** Cette commande règle le niveau du signal envoyé au bus AUX SEND qui alimente un processeur d'effet externe. Le signal Aux Send du MT50 est pris après le curseur. Pour envoyer un signal de canal à un processeur d'effet externe via le bus Aux Send, vous devez tourner sa commande AUX et faire monter son curseur.
- ③ **Commande PAN:** Cette commande vous permet de placer un son dans le mélange stéréo (entre les canaux droit et gauche). Si vous la tournez vers la droite, vous placez le signal dans le canal droit. Si vous la tournez vers la gauche, vous optez pour le canal gauche. Avec une position centrale, une part égale du signal est envoyée aux canaux gauche et droit.
- ④ **Curseur:** Si vous avez branché quelque chose à l'entrée MIC/LINE, le curseur détermine le niveau de l'enregistrement. Si rien n'est connecté à la borne MIC/LINE, ce curseur détermine le volume de reproduction (le volume du signal de la bande envoyé au mélange stéréo). Un réglage idéal se situe entre 7 et 8.
- ⑤ **Indicateur de niveau:** Cet indicateur montre le niveau d'enregistrement et de la reproduction. Idéalement, il devrait être tel que la diode +6 s'allume par intermittence pour indiquer le niveau d'entrée maximum. Le curseur (fader) permet de régler le niveau d'entrée.
- ⑥ **Témoin REC:** Ce témoin indique le mode d'enregistrement.
  - Eteint** — Le commutateur REC SEL est sur OFF.
  - Clignotant** — Le commutateur REC SEL est sur une des positions d'enregistrement (à savoir sur 1, 2, 3, 4, L ou R, ce qui signifie que la piste est prête pour l'enregistrement).
  - Allumé** — L'enregistrement est en cours ou en mode pause.
- ⑦ **Commutateur REC SEL:** Ce commutateur sélectionne le signal à enregistrer.
  - Eteint** — Pas d'enregistrement.
  - 1 (2, 3, 4)** — Le signal de la borne MIC/LINE est enregistré.
  - L (R)** — Le signal gauche (L), voire droit (R) du signal du mélange stéréo est enregistré. Les signaux gauches peuvent être enregistrés sur les pistes 1 et 3 et les signaux droits sur les pistes 2 et 4. Utilisez ce réglage pour l'enregistrement ping-pong.
- ⑧ **Commande CUE:** Cette commande détermine le niveau CUE, soit le volume du moniteur, indépendamment des réglages de curseurs. Cette commande n'est active que lorsque le commutateur MONITOR SELECT est réglé sur MIX ou CUE.

- ⑨ **Commutateur GAIN:** Ce commutateur règle le gain d'entrée MIC/LINE afin d'optimiser la performance en fonction de ce qui y est branché.
- MIC** — microphones, appareil à bas niveau.
  - Milieu** — guitare, basse électrique.
  - LINE** — synthétiseur, boîte à rythme, lecteur CD, appareils à haut niveau.
- ⑩ **Commande AUX RETURN:** Cette commande détermine le volume du signal d'entrée AUX RETURN (soit le niveau du signal traité par un processeur d'effet externe) au sein du mélange stéréo.
- ⑪ **Commutateur MONITOR SELECT:** Ce commutateur détermine le signal source pour la sortie PHONES et MONITOR OUT.
- Stereo** — Ce réglage sélectionne les signaux gauche et droit contrôlés par la commande Pan (le niveau de ces signaux est réglé avec les curseurs).
  - Cue** — Le signal source est CUE (contrôlé par les commandes CUE). Utilisez-le pour l'enregistrement piste par piste.
  - Mix** — Le signal source est le mélange stéréo et CUE. Utilisez-le pour insérer des passages.
- ⑫ **Témoin POWER:** Ce témoin s'allume lorsque le MT50 est sous tension et prêt à l'usage.
- ⑬ **Commande MONITOR/PHONES:** Cette commande sert à régler le niveau des sorties PHONES et MONITOR OUT.



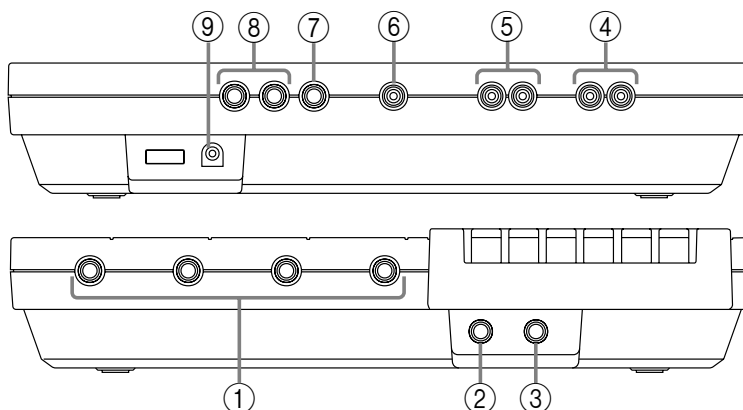
- ⑭ **Curseur PITCH:** Cette commande permet d'adapter la vitesse de la bande de plus ou moins 10%. La position centrale correspond à la vitesse normale (9.5 cm/sec). En général, ce curseur reste en position centrale.

- ⑮ **Commutateur dbx:** “dbx” est un système de réduction du bruit sophistiqué qui vous permet de faire des enregistrements plus clairs. Ce commutateur vous permet de l’activer et de le désactiver. Il a trois positions:
- OFF** — dbx désactivé.
  - ON** — dbx activé pour les quatre pistes.
  - SYNC** — dbx activé pour les pistes 1, 2 et 3 mais pas 4. Utilisez ce réglage lorsque la piste 4 contient un signal FSK pour une opération de synchronisation.
- Remarque:* Si vous enregistrez une bande avec le système dbx sur ON ou SYNC, veillez à utiliser le même réglage pour la reproduction. Ne changez pas le réglage au milieu d’une session d’enregistrement.
- ⑯ **Commutateur ZERO STOP:** Lorsqu’il est sur ON, le rebobinage s’arrête automatiquement vers 999 (le bouton REW reste enfoncé).
- ⑰ **Compteur de bande et bouton de remise à zéro:** Le compteur de bande indique la position de la bande, ce qui facilite la localisation d’endroits particuliers. Le bouton remet le compteur sur 000.
- ⑱ **Boutons de contrôle de la bande:** De gauche à droite, leur fonction est d’enregistrer (REC); de reproduire (PLAY); de rebobiner (REW); d’avancer (FF); d’arrêter la bande (STOP) et d’interrompre l’enregistrement ou la reproduction (PAUSE).



## Bornes

- ① **Bornes d'entrée MIC/LINE:** Vous pouvez y brancher microphones, instruments et autres sources de niveau ligne pour l'enregistrement.
- ② **Prise PHONES:** Vous pouvez y brancher un casque afin de contrôler l'enregistrement ou la reproduction des pistes.
- ③ **Borne PUNCH I/O:** C'est ici qu'il faut brancher un commutateur au pied disponible en option, tel que le Yamaha FC4 ou FC5, pour insérer un passage dans l'enregistrement.
- ④ **Bornes STEREO OUT:** Lors du mixage, le signal est envoyé à l'enregistreur maître via ces bornes. Reliez donc ces sorties aux entrées de l'enregistreur.
- ⑤ **Bornes MONITOR OUT:** Le signal moniteur est envoyé via ces bornes. Branchez-y une paire de haut-parleurs actifs.
- ⑥ **Borne SYNC OUT:** Cette borne envoie le signal FSK permettant de synchroniser le MT50 et un séquenceur ou une boîte à rythme MIDI. Branchez un convertisseur MIDI-FSK tel que le Yamaha YMC10.
- ⑦ **Borne AUX SEND:** Le signal aux send sort via cette borne. Vous pouvez y brancher l'entrée d'un processeur d'effet externe tel que le Yamaha FX770 ou REV100.
- ⑧ **Bornes AUX RETURN:** Le signal d'effet revient ici. Branchez-y la sortie d'un processeur d'effet externe. Utilisez la borne d'entrée L(MONO) pour des signaux mono et les deux entrées L(MONO) et R jacks pour des retours stéréo.
- ⑨ **Borne DC 12V:** Branchez ici l'adaptateur.



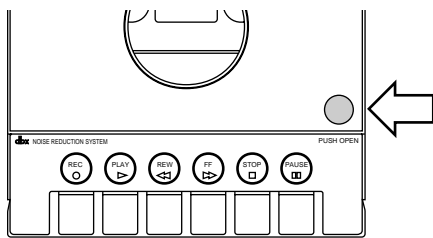
## 3

## Enregistrement élémentaire

Ce chapitre explique comment enregistrer piste par piste. Il s'agit de la base de tout enregistrement multipiste. Cela vous permet d'enregistrer une piste tout en écoutant celle(s) que vous aviez enregistrée(s) préalablement. Dans l'exemple suivant, nous utiliserons une boîte à rythme, une basse, une guitare et le chant.

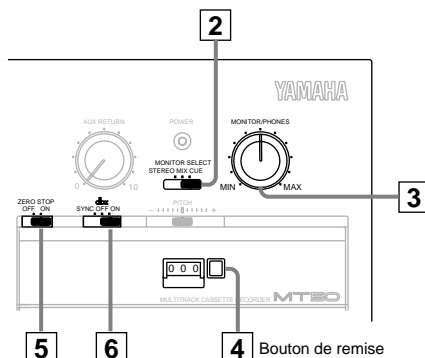
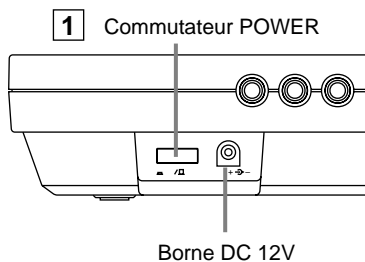
Voici notre plan d'affectation des pistes.

Piste	Instrument	Divers
1	Batterie	Boîte à rythme RYZZ. Morceau 10 "I love you"
2	Basse	Basse de Dave avec effets Chorusl
3	Guitare	Ma strat via un ampli marsh-ball
4	Chant	Sandra avec un micro FM58



! **Attention:** Avant de procéder à des raccordements, mettez tout votre matériel hors tension.

! **Attention:** Ne branchez l'adaptateur qu'à une prise dont la tension correspond à celle indiquée sur l'adaptateur.



### Chargement de cassette dans le MT50

1. Insérez soigneusement la cassette.
2. Reliez l'adaptateur à la borne DC 12V.
3. Branchez l'adaptateur à une prise d'alimentation.
4. Branchez un casque à la prise PHONES ou reliez les bornes MONITOR OUT à des enceintes actives.

### Mise sous tension

1. Appuyez sur le commutateur POWER pour mettre le MT50 sous tension.

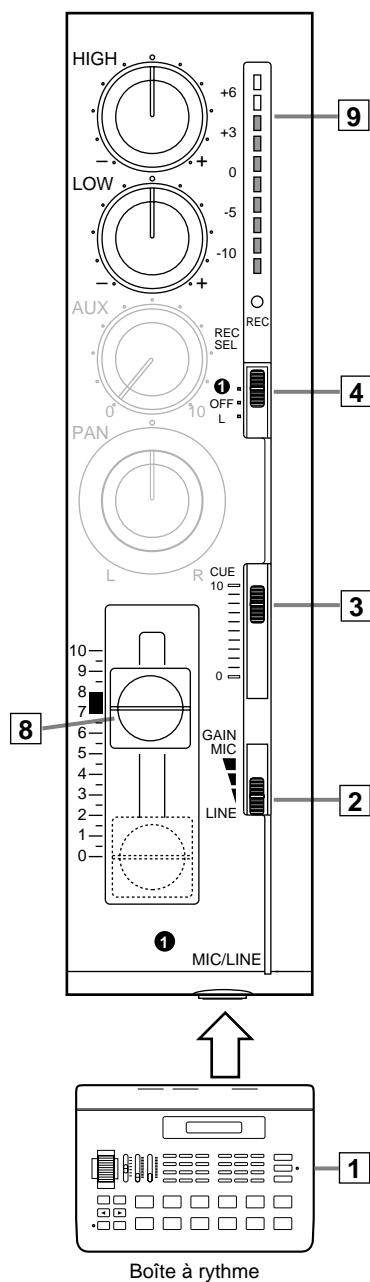
Le témoin POWER s'allume.

### Préparation

2. Réglez le commutateur MONITOR SELECT sur CUE.
3. Réglez les commandes MONITOR/PHONES à mi-course. Vous pouvez modifier ce réglage plus tard.
4. Appuyez sur le bouton de remise à zéro pour ramener le compteur de bande sur 000.
5. Réglez le commutateur ZERO STOP sur ON.
6. Réglez le commutateur dbx sur ON.



## Etape 1 — Enregistrement de la batterie



1. Branchez la boîte à rythme à l'entrée MIC/LINE 1.
2. Réglez le commutateur GAIN du module 1 sur LINE.
3. Réglez le commutateur CUE du module 1 sur 8.
4. Réglez le commutateur REC SEL du module 1 sur 1.  
Le témoin REC se met à clignoter.
5. Appuyez sur PAUSE.
6. Appuyez sur REC.  
Le témoin REC s'allume.
7. Lancez la boîte à rythme.
8. Augmentez progressivement le curseur (fader) du module 1.  
Vous devriez entendre la boîte à rythme et le l'indicateur de niveau du module 1 devrait s'allumer.
9. Réglez le curseur de telle sorte que la diode +6 s'allume par intermittence pour signaler le niveau d'entrée maximum.

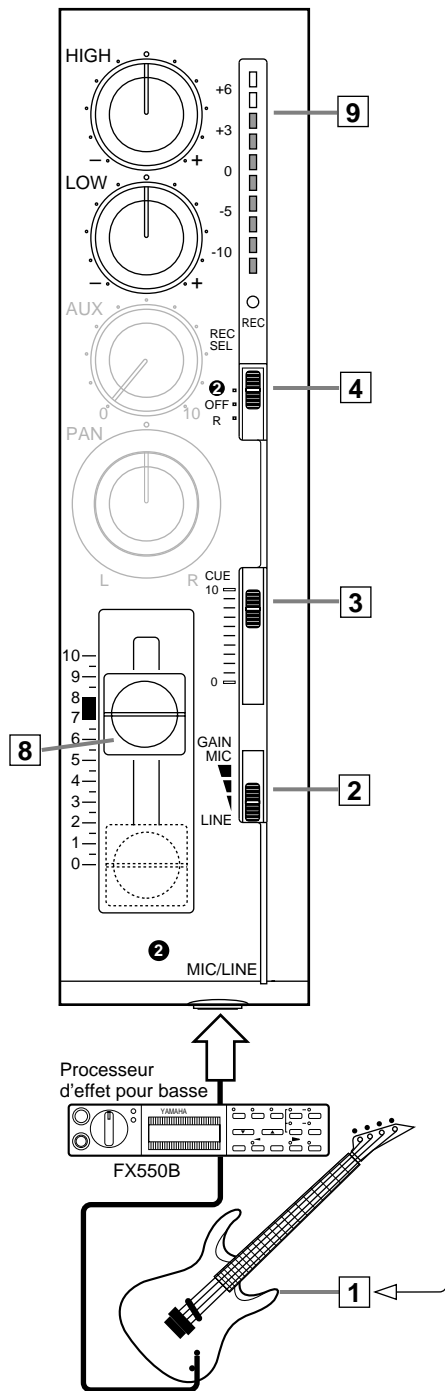
**Remarque:** Si le volume de la boîte à rythme est fort bas et si vous ne pouvez atteindre le niveau d'enregistrement idéal avec un curseur au maximum, réglez le curseur sur 0 et mettez la commande GAIN en position centrale (pour instruments). Relevez de nouveau le curseur jusqu'au niveau adéquat.

Le curseur du module sert à régler le niveau de l'enregistrement et doit être utilisé en gardant un oeil sur l'indicateur de niveau. Utilisez la commande CUE et MONITOR/PHONES pour régler le volume de contrôle. Ces commandes ne modifient que le volume d'écoute de contrôle.

10. Appuyez sur PAUSE pour lancer l'enregistrement.
11. Démarrez la boîte à rythme.
12. Une fois la partie batterie enregistrée, appuyez sur STOP pour arrêter l'enregistrement.
13. Appuyez sur REW pour rebobiner la bande.  
Elle s'arrêtera automatiquement sur 999 car vous avez mis ZERO STOP sur ON.
14. Réglez le commutateur REC SEL du module 1 sur OFF.  
Le témoin REC s'éteint.
15. Appuyez sur PLAY pour écouter la piste de batterie.  
Si vous êtes satisfait, passez à "Etape 2 — Enregistrement de la basse". Sinon recommencez l'enregistrement.
16. Débranchez la boîte à rythme.
17. Réglez le curseur du module 1 sur 0.
18. Appuyez sur REW pour ramener la bande à 000.

! Le morceau le plus facile à enregistrer est celui qui commence par une intro de batterie. Si votre morceau commence avec batterie, basse et synthé dès la première mesure, enregistrez un décompte.

## Etape 2 — Enregistrement de la basse



### 1. Branchez la basse à l'entrée MIC/LINE 2.

**Remarque:** Si vous branchez un instrument à haute impédance de sortie tel qu'une guitare ou une basse électrique au MT50, vous risquez d'augmenter le bruit et la distorsion et d'entacher la qualité de l'enregistrement.

Dans ce cas, branchez une boîte directe ou un processeur d'effet entre l'instrument et le MT50 pour réduire l'impédance.

### 2. Réglez le commutateur GAIN du module 2 sur LINE.

### 3. Réglez la commande CUE du module 2 sur 8 environ.

### 4. Réglez le commutateur REC SEL du module 2 sur 2.

Le témoin REC commence à clignoter.

### 5. Appuyez sur PAUSE.

### 6. Appuyez sur REC.

Le témoin REC s'allume.

### 7. Tout en grattant la basse, relevez progressivement le curseur du module 2.

Vous devriez entendre la basse et l'indicateur de niveau du module 2 devrait s'allumer.

### 8. Réglez le curseur de telle sorte que la diode 0 s'allume la plupart du temps et que la diode +6 s'allume par intermittence pour signaler le niveau d'entrée maximum.

### 9. Pour régler les volumes CUE, appuyez sur PAUSE pour lancer l'enregistrement. (Cet enregistrement n'est que provisoire.)

### 10. Tout en écoutant la piste de batterie, jouez de la basse et réglez les commandes CUE des modules 1 et 2 de sorte à entendre clairement la basse et la batterie.

### 11. Appuyez sur REW pour ramener le compteur sur 000.

### 12. Appuyez sur REC pour faire démarrer l'enregistrement.

Le témoin REC s'allume.

### 13. Jouez votre partie de basse tout en écoutant la piste de batterie.

### 14. Une fois la partie de basse enregistrée, appuyez sur STOP pour arrêter l'enregistrement.

### 15. Appuyez sur REW pour rebobiner la bande.

### 16. Réglez le commutateur REC SEL du module 2 sur OFF.

Le témoin REC s'éteint.

### 17. Appuyez sur PLAY pour écouter la piste de batterie et la nouvelle piste de basse.

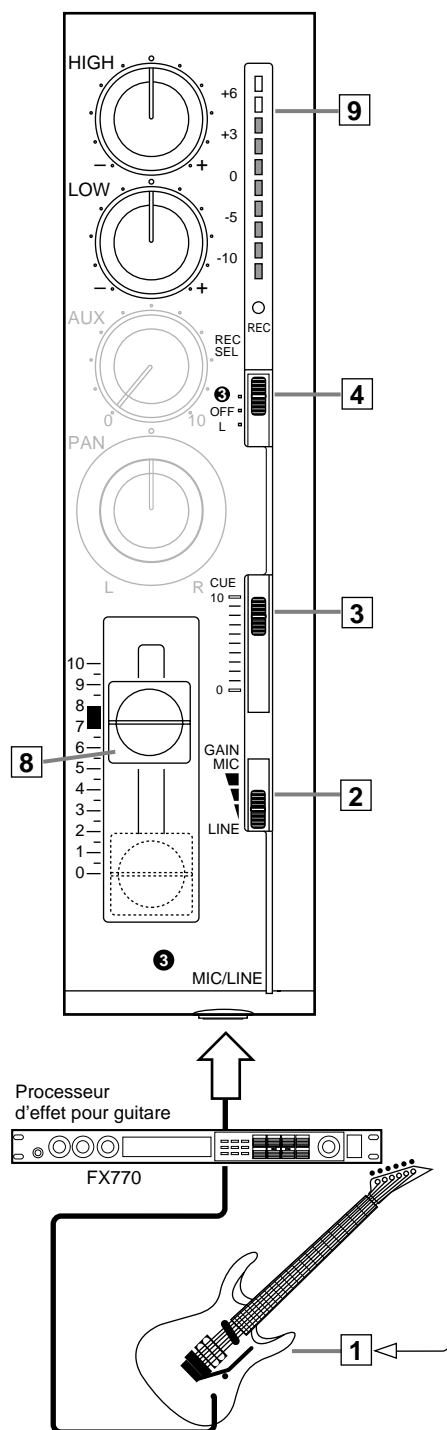
Si vous êtes satisfait, passez à "Etape 3 — Enregistrement de la guitare". Sinon recommencez l'enregistrement.

### 18. Débranchez la basse.

### 19. Réglez le curseur du module 2 sur 0.

### 20. Appuyez sur REW pour ramener la bande à 000.

## Etape 3 — Enregistrement de la guitare



### 1. Branchez la guitare à l'entrée MIC/LINE 3.

**Remarque:** Si vous branchez un instrument à haute impédance de sortie tel qu'une guitare ou une basse électrique au MT50, vous risquez d'augmenter le bruit et la distorsion et d'entacher la qualité de l'enregistrement.

Dans ce cas, branchez une boîte directe ou un processeur d'effet entre l'instrument et le MT50 comme nous l'avons expliqué pour l'Etape 1, page 11

### 2. Réglez le commutateur GAIN du module 3 sur LINE.

### 3. Réglez la commande CUE du module 3 sur 8 environ.

### 4. Réglez le commutateur REC SEL du module 3 sur 3.

Le témoin REC commence à clignoter.

### 5. Appuyez sur PAUSE.

### 6. Appuyez sur REC.

Le témoin REC s'allume.

### 7. Tout en grattant la guitare, relevez progressivement le curseur du module 3.

Vous devriez entendre la guitare et l'indicateur de niveau devrait s'allumer.

### 8. Réglez le curseur de telle sorte que la diode 0 s'allume la plupart du temps et que la diode +6 s'allume par intermittence.

### 9. Pour régler les volumes CUE, appuyez sur PAUSE pour lancer l'enregistrement. (Cet enregistrement n'est que provisoire.)

### 10. Tout en écoutant la piste de batterie et de la basse, jouez de la guitare et réglez les commandes CUE des modules 1, 2 et 3 de sorte à entendre clairement la basse, la batterie et la guitare.

### 11. Appuyez sur REW pour ramener le compteur sur 000.

### 12. Appuyez sur REC pour faire démarrer l'enregistrement.

Le témoin REC s'allume.

### 13. Jouez votre partie de guitare tout en écoutant la piste de batterie et de basse.

### 14. Une fois la partie de guitare enregistrée, appuyez sur STOP pour arrêter l'enregistrement.

### 15. Appuyez sur REW pour rebobiner la bande.

### 16. Réglez le commutateur REC SEL du module 3 sur OFF.

Le témoin REC s'éteint.

### 17. Appuyez sur PLAY pour écouter la piste de batterie, de basse et la nouvelle piste de guitare.

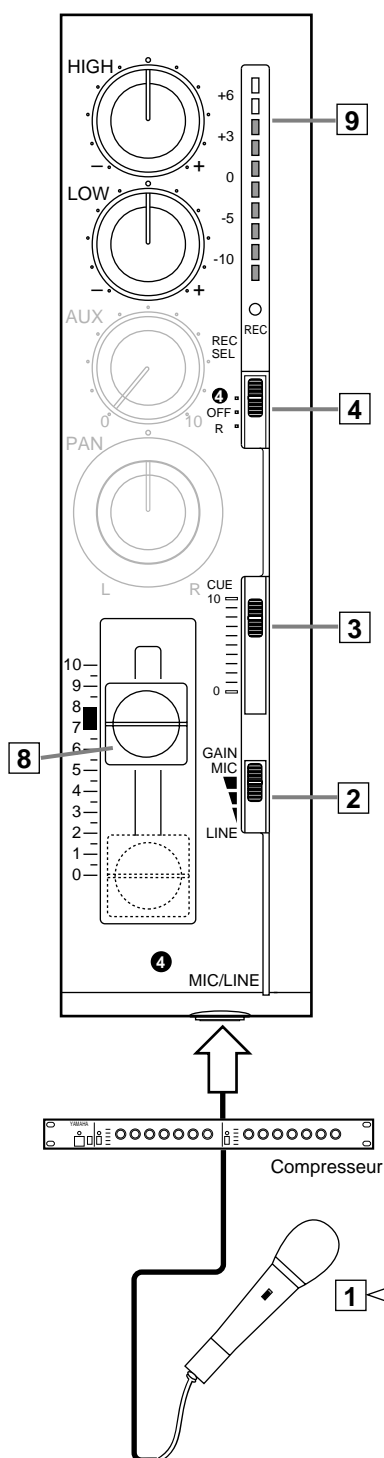
Si vous êtes satisfait, passez à l'étape suivante, "Etape 4 — Enregistrement du chant". Sinon recommencez l'enregistrement.

### 18. Débranchez la guitare.

### 19. Réglez le curseur du module 3 sur 0.

### 20. Appuyez sur REW pour ramener la bande à 000.

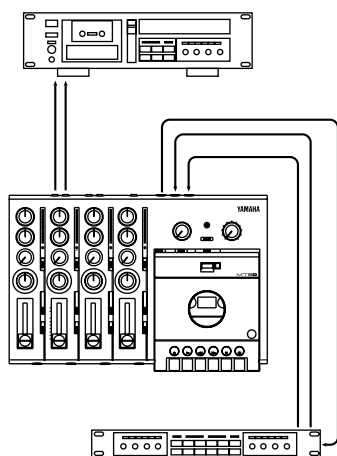
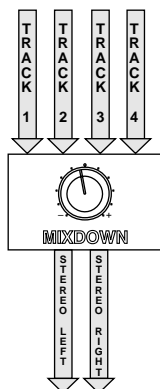
## Etape 4 — Enregistrement du chant



1. Branchez le microphone à l'entrée MIC/LINE 4.
2. Réglez le commutateur GAIN du module 4 sur MIC.
3. Réglez la commande CUE du module 4 sur 8 environ.
4. Réglez le commutateur REC SEL du module 4 sur 4.  
Le témoin REC commence à clignoter.
5. Appuyez sur PAUSE.
6. Appuyez sur REC.  
Le témoin REC s'allume.
7. Tout en chantant dans le micro, relevez progressivement le curseur du module 4.  
Vous devriez entendre le chant et l'indicateur de niveau devrait s'allumer.
8. Réglez le curseur de telle sorte que la diode 0 s'allume la plupart du temps et que la diode +6 s'allume par intermittence.
9. Pour régler les volumes CUE, appuyez sur PAUSE pour lancer l'enregistrement. (Cet enregistrement n'est que provisoire.)
10. Tout en écoutant la piste de batterie, de basse et de guitare, chantez dans le micro et réglez les commandes CUE des modules 1, 2, 3 et 4 de sorte à entendre clairement la basse, la batterie, la guitare et le chant.
11. Appuyez sur REW pour ramener le compteur sur 000.
12. Appuyez sur REC pour faire démarrer l'enregistrement.  
Le témoin REC s'allume.
13. Chantez votre partie tout en écoutant la piste de batterie, de basse et de guitare.
14. Une fois la partie de chant enregistrée, appuyez sur STOP pour arrêter l'enregistrement.
15. Appuyez sur REW pour rebobiner la bande.
16. Réglez le commutateur REC SEL du module 4 sur OFF.  
Le témoin REC s'éteint.
17. Appuyez sur PLAY pour écouter la piste de batterie, de basse, de guitare et la nouvelle piste de chant.  
Si vous êtes satisfait, passez à l'étape suivante, "Etape 5 — Mixage". Sinon recommencez l'enregistrement.
18. Débranchez le microphone.
19. Réglez le curseur du module 4 sur 0.
20. Appuyez sur REW pour ramener le compteur sur 000.

! Utilisez un compresseur pour égaliser le niveau du chant.

! Attention au feedback. Ne placez pas votre micro trop près de vos haut-parleurs.



## Etape 5 — Mixage

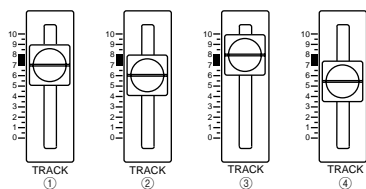
Le mixage consiste à combiner les quatre pistes pour n'en faire qu'une. Ce mélange peut ensuite être enregistré sur un enregistreur de cassette stéréo ou sur un appareil DAT. Le MT50 est votre enregistreur multipiste; le deuxième enregistreur fait fonction d'enregistreur "maître". Pendant le mixage, vous pouvez travailler le timbre de chaque son au moyen de l'égaliseur à deux bandes. Vous pouvez également placer ces différents sons dans l'image stéréo (droite/gauche) et régler les niveaux au moyen des curseurs.

## Préparation

1. Branchez la borne STEREO OUT du MT50 à l'entrée de votre enregistreur maître (cassette ou DAT).
2. Réglez les niveaux d'entrée sur votre enregistreur maître.
3. Vous pouvez brancher les sorties stéréo de votre enregistreur maître à un amplificateur hi-fi auquel vous aurez relié une paire de haut-parleurs.  
Vous pouvez également vous servir d'un casque ou d'une paire d'enceintes actives. Idéalement, optez pour des haut-parleurs ayant une réponse linéaire qui ne sont pas teintés par une accentuation du grave et de l'aigu.
4. Vous pouvez brancher un processeur multi-effet tel que le Yamaha REV100 ou FX770 entre les bornes AUX SEND et AUX RETURN.
5. Réglez le commutateur MONITOR SELECT sur STEREO.
6. Assurez-vous que rien n'est branché aux bornes MIC/LINE.
7. Réglez les commutateurs dbx et ZERO STOP. Si vous venez de procéder aux étapes d'enregistrement précédentes, ils sont bien réglés.

## Balance des niveaux

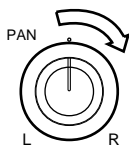
Avant d'enregistrer le mélange stéréo, essayez divers réglages afin d'obtenir exactement le son global que vous désirez.



1. Réglez tous les curseurs sur 7 environ.
2. Appuyez sur PLAY pour lancer la reproduction.
3. Servez-vous des curseurs pour régler les niveaux et obtenir un mélange bien équilibré où rien n'est trop fort ni trop bas.
4. La commande de niveau MONITOR/PHONES vous permet de régler le volume de l'écoute de contrôle.

## Panoramique

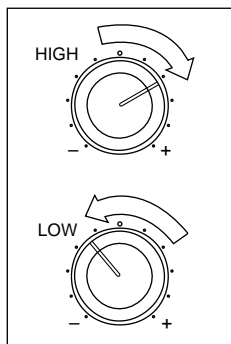
Le panoramique vous permet de placer le son dans l'image stéréo (à savoir, entre le haut-parleur gauche et le haut-parleur droit). Il n'y a pas de règle bien précise en ce qui concerne le placement des instruments. Expérimentez! Certains enregistrements des Beatles ont un effet particulier en plaçant le chant à l'extrême droite et la guitare et la basse à l'extrême gauche.



1. **Tournez la commande PAN vers la droite pour placer un son à droite et vers la gauche pour le placer à gauche.**

## Egalisation

L'égaliseur à deux bandes vous permet d'accentuer ou de couper les basses et hautes fréquences. Veillez néanmoins à ne pas couper de hautes fréquences nécessaires telles que les cymbales sur la piste de batterie. Ne laissez pas non plus le champ libre aux basses fréquences, telles que celles qui se trouvent sur la piste de basse: elles risqueraient de noyer le mélange.



1. **Utilisez la commande HIGH pour accentuer et couper les hautes fréquences.**
2. **Utilisez la commande LOW pour accentuer et couper les basses fréquences.**

## Ajouter des effets

Si vous disposez d'un processeur d'effet externe tel que le Yamaha REV100 ou FX770, vous pouvez le brancher au MT50 et ajouter des effets aux sons enregistrés.

1. **Reliez la sortie AUX SEND à l'entrée du processeur d'effet.**
2. **Reliez les entrées AUX RETURN aux sorties du processeur d'effet.**

Si votre processeur d'effet est stéréo, raccordez les bornes AUX RETURN L(MONO) et R. S'il est mono, ne raccordez que la borne L(MONO).

3. **Tournez une commande AUX pour envoyer un son au processeur d'effet.**
4. **Tournez une commande AUX RETURN pour ajouter le signal traité au mélange stéréo.**

## Enregistrement du mélange

Lorsque vous êtes satisfait de votre mélange, enregistrez-le sur l'enregistreur maître.

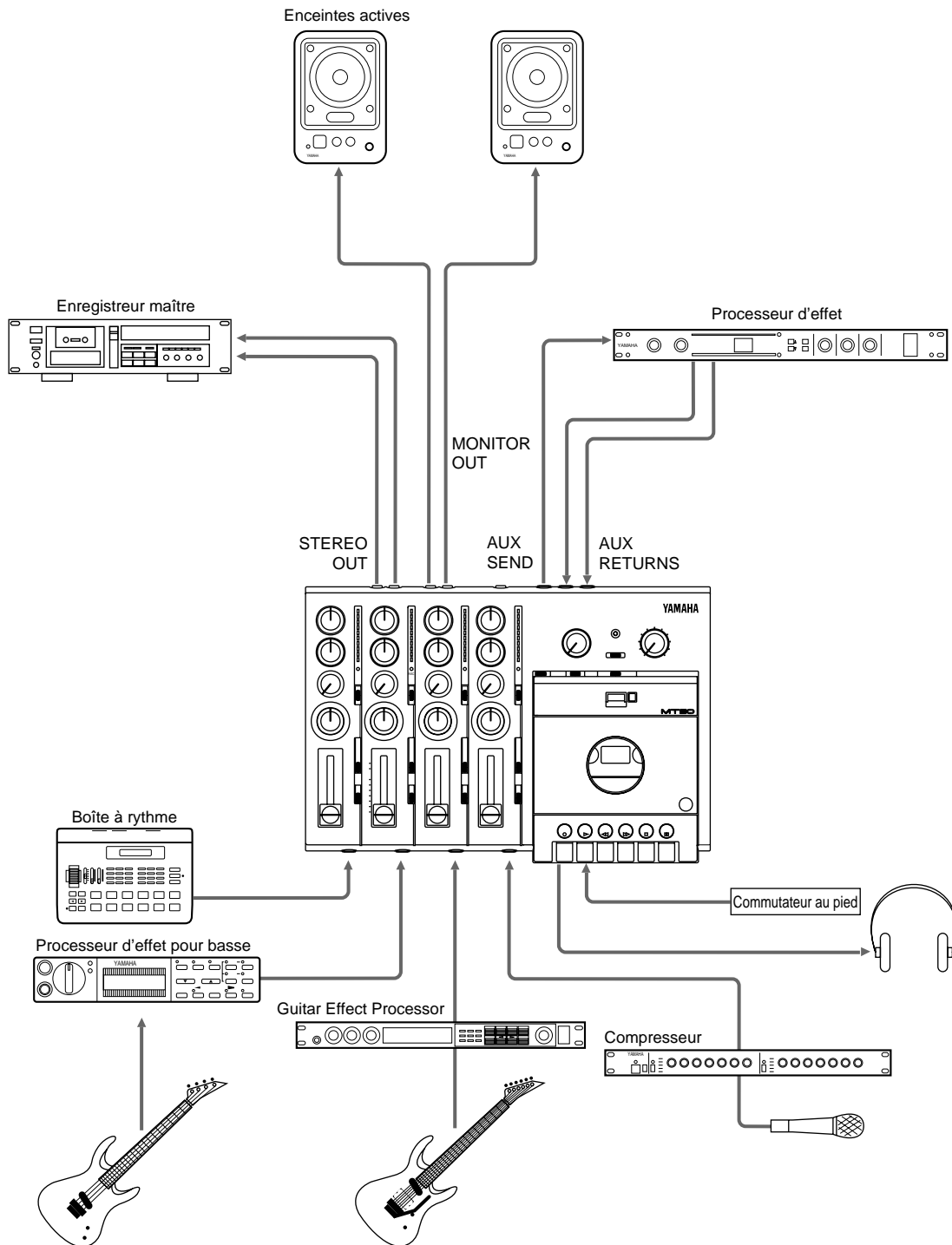
1. **Apprêtez l'enregistreur maître à l'enregistrement.**
2. **Faites jouer le MT50 et réglez le niveau d'enregistrement sur l'enregistreur maître.**
3. **Arrêtez le MT50 et rebobinez la bande jusqu'à environ 999.**
4. **Lancez l'enregistrement sur l'enregistreur maître.**
5. **Appuyez sur PLAY sur le MT50 pour lancer la reproduction.**

Le mélange stéréo est enregistré sur l'enregistreur maître.

**!** Pour éviter d'effacer accidentellement votre enregistrement original, enfoncez les deux protections de la cassette audio que vous avez utilisée sur le MT50.

6. A la fin du morceau, arrêtez le MT50 et l'enregistreur maître.
7. Rebobinez l'enregistreur maître et écoutez votre oeuvre.

## Exemple d'utilisation



# 4

## Enregistrement avancé

---

Ce chapitre vous guide dans les techniques d'enregistrement multipiste plus complexes. Le MT50 est si souple que vous pouvez faire appel à des techniques d'enregistrement sophistiquées sans grande difficulté.

### Enregistrement en une prise

Cette technique d'enregistrement vous permet d'enregistrer plusieurs instruments simultanément comme, par exemple, lors d'un concert. Vous pouvez enregistrer directement les instruments et ajouter ensuite de la réverbération et autres effets lors du mixage dans un studio d'enregistrement.

Vous pouvez également faire appel à cette technique pour enregistrer quatre instruments sur deux pistes afin de conserver deux pistes vierges. Ou alors, vous pourriez enregistrer une partie de batterie plus complexe en attribuant une piste différente à trois tambours de la batterie. Vous pourriez ensuite mixer les pistes et enregistrer le mélange sur la quatrième piste (ping-pong) afin de créer une partie de batterie plus riche. Enfin, vous pourriez également avoir recours à cette technique pour conserver le placement stéréo d'appareils stéréo programmables MIDI.

### Enregistrement ping-pong

La technique ping-pong ressemble au jeu du même nom puisqu'elle vous permet de combiner des pistes enregistrées au préalable en les mélangeant et en les enregistrant (en les faisant "rebondir") dans une piste vierge. Tandis que l'enregistrement élémentaire, piste par piste, vous permet d'enregistrer quatre fois, cette technique vous permet de procéder à un nombre théoriquement illimité d'enregistrements. Chaque fois que vous enregistrez un mélange sur une piste, vous libérez les autres. Néanmoins, la bande magnétique ne vous permet guère de continuer ce jeu très longtemps. Des enregistrements à répétition finissent par user la bande et vos pistes risquent fort de perdre de leur punch.

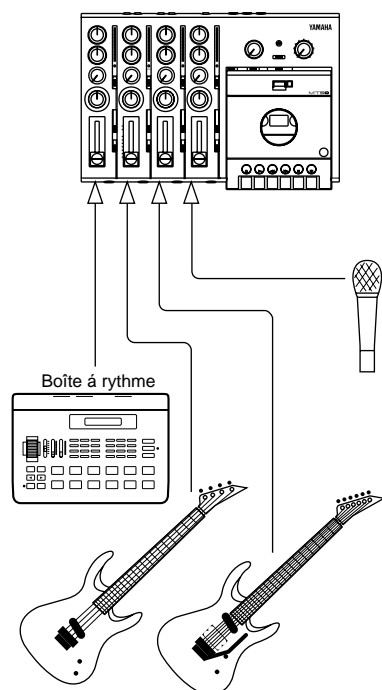
### Enregistrement par insertion

Cette technique vous permet de réenregistrer de brèves sections, de corriger des erreurs ou d'insérer de nouveaux passages à la place de silences. Vous entrez et vous quittez l'enregistrement tout en jouant votre partie. Si vous avez un commutateur au pied, vous pouvez faire débiter (entrer dans) l'enregistrement et l'arrêter (le quitter) en actionnant ce commutateur. Ainsi vos mains restent libres pour votre musique. C'est aussi une méthode idéale pour les solos de guitare. Vous pouvez réenregistrer les passages ardues jusqu'à ce qu'ils vous plaisent vraiment.



## Synchronisation

En enregistrant un signal FSK sur la piste 4, vous pouvez synchroniser le MT50 avec une boîte à rythme ou un séquenceur MIDI. Grâce à cette technique, il est inutile d'enregistrer les instruments MIDI sur bande. Cela vous économise vos pistes puisque le signal FSK fait automatiquement démarrer les instruments MIDI. Il vous faut néanmoins un convertisseur MIDI-FKS tel que le Yamaha YMC10.



## Enregistrement en une prise

Le MT50 vous permet d'enregistrer jusqu'à quatre instruments simultanément (en concert, par exemple). Enregistrez directement les instruments via les modules 1~4 et ajoutez des effets durant le mixage.

1.  **Branchez un instruments aux entrées MIC/LINE 1~4.**
2.  **Réglez les commutateurs GAIN pour les modules 1~4.**
3.  **Réglez la commande CUE de chaque module sur 8 environ.**
4.  **Réglez le commutateur REC SEL de chaque module sur le numéro correspondant (1, 2, 3 ou 4).**

Le témoin REC commence à clignoter pour chaque module.

5.  **Appuyez sur PAUSE.**
6.  **Appuyez sur REC.**

Le témoin REC s'allume.

7.  **Lancez la bande.**
8.  **Relevez les curseurs de chaque module progressivement.**

Vous devriez entendre le groupe et l'indicateur de niveau de chaque module devrait s'allumer.

9.  **Réglez le curseur de chaque module de telle sorte que la diode 0 s'allume la plupart du temps et que la diode +6 s'allume par intermittence.**

Le curseur du module sert à régler le niveau de l'enregistrement et doit être réglé avec un oeil sur l'indicateur de niveau. Utilisez la commande CUE et la commande MONITOR/PHONES pour régler l'écoute de contrôle. Ces commandes ne modifient que le volume du casque et des enceintes.

10.  **Appuyez sur PAUSE lorsque vous êtes prêt à enregistrer.**
11.  **Lancez la bande.**
12.  **Uen fois le morceau terminé, appuyez sur STOP pour arrêter l'enregistrement.**
13.  **Appuyez sur REW pour rebobiner la bande.**
14.  **Faites le mixage comme nous l'avons décrit à la page 14.**

Vous pouvez ajouter des effets à chaque canal indépendamment, réglez le panoramique, et balancer les curseurs pour obtenir l'enregistrement dont vous rêviez. Vous pouvez également ajouter de la réverbération au mélange tout entier pour obtenir une finition professionnelle.

## Techniques d'enregistrement à une prise plus complexes

Que se passe-t-il lorsque vous désirez enregistrer des instruments ou des appareils électroniques qui produisent un son stéréo? Avec quatre pistes seulement, votre capital en pistes est rapidement épuisé!

Un autre problème peut également se poser. Vous risquez de perdre de subtiles nuances d'espace telles que le positionnement des sons dans l'image stéréo si vous ne disposez que d'une piste pour la batterie.

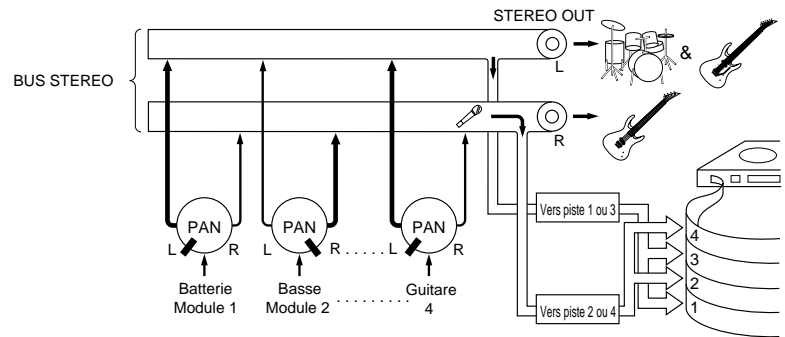
Votre MT50 peut vous aider à contourner ces problèmes. Sa capacité de contrôler le positionnement dans l'image stéréo ainsi que la technique ping-pong vont venir à point.

Cela a l'air compliqué mais c'est finalement fort simple: vous ne faites appel qu'à deux commandes: le commutateur REC SEL (sélection d'enregistrement) et la commande PAN. Par exemple:

- Vous pouvez enregistrer quatre instruments simultanément mais n'utiliser que deux pistes.
- De nombreux synthés, séquenceurs et autres boîtes à rythme produisent un son stéréo. Ainsi, vous avez peut-être passé beaucoup de temps à programmer une boîte à rythme pour que les différents sons de la batterie soient placés à gauche ou à droite dans l'image stéréo afin de rendre la partie de batterie nettement plus dynamique. Cette technique vous permet de conserver le placement stéréo d'une boîte à rythme ou d'un synthé programmé préalablement sans tomber à court de pistes.
- Vous voudriez peut-être aussi créer des effets de guitare stéréo au moyen, par exemple, d'un chorus stéréo branché à deux amplis de guitare ayant des caractéristiques sonores ou des temps de retard différents. Vous pourriez alors enregistrer cette sortie stéréo sur deux pistes de sorte que les canaux droit et gauche de votre solo de guitare aient un son différents. Si vous mélangiez ensuite les deux pistes sur une troisième, vous perdriez le positionnement gauche-droit de vos deux sons de guitare. Cette technique vous permet donc de conserver les nuances stéréo de votre solo.

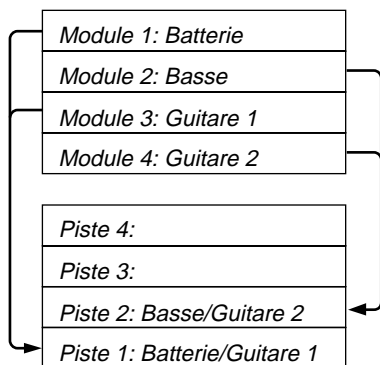
Le schéma suivant montre comment les signaux de chaque commande PAN sont acheminés au bus stéréo (les deux gros "tuyaux" horizontaux de l'illustration) et comment ils sont envoyés via les jacks STEREO OUT. Chaque commande PAN fonctionne donc comme un indicateur de direction en envoyant les signaux à droite ou à gauche. Les pages suivantes vous décriront comment enregistrer quatre instruments de musique sur 2 pistes et comment conserver l'image stéréo produite par deux instruments sur un enregistrement. L'illustration vous montre que la sortie L

(gauche) est envoyée aux pistes 1 et 3 tandis que la sortie R (droite) est envoyée aux pistes 2 et 4.



## Enregistrement de quatre instruments sur deux pistes en une prise

Imaginons que vous voulez enregistrer la batterie, la basse, la guitare de rythme et la guitare principale simultanément tout en laissant deux pistes libres pour un usage ultérieur.



! Dans cet exemple, nous plaçons, pour simplifier, les instruments à l'extrême droite et à l'extrême gauche. Faites des expériences avec le placement stéréo. Essayez de les placer partiellement à gauche ou partiellement à droite pour créer une image stéréo plus intéressante.

1. **Branchez le micro de la batterie à l'entrée MIC/LINE du module 1, la basse au module 2, la guitare de rythme au module 3 et la guitare principale au module 4.**
2. **Réglez les commandes GAIN, les commandes de contrôle d'écoute et les curseurs d'entrée comme nous l'avons décrit dans le "Chapitre 3: Basic Recording."**
3. **Réglez le commutateur REC SEL pour chaque module, comme suit:**

Réglez le commutateur REC SEL pour le module 1 sur "L."

Réglez le commutateur REC SEL pour le module 2 sur "R."

Réglez le commutateur REC SEL pour le module 3 sur "OFF."

Réglez le commutateur REC SEL pour le module 4 sur "OFF."

Dans cette configuration, les pistes 3 et 4 ne seront pas enregistrées. La piste 1 enregistrera le canal stéréo gauche et la piste 2 enregistrera le canal stéréo droit.

4. **Réglez les commandes PAN pour le placement stéréo de chaque instrument:**

Réglez la commande PAN pour le module 1 sur "L."

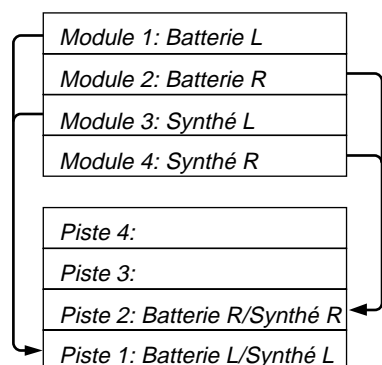
Réglez la commande PAN pour le module 2 sur "R."

Réglez la commande PAN pour le module 3 sur "L."

Réglez la commande PAN pour le module 4 sur "R."

5. **Appuyez sur REC et lancez la bande!**

Les instruments branchés aux entrées 1 et 3 seront combinés sur la piste 4. Les instruments branchés aux entrées 2 et 4 seront combinés sur la piste 2. Les pistes 3 et 4 sont disponibles pour des enregistrements supplémentaires.



**!** Vous pouvez enregistrer jusqu'à trois instruments de musique différents en branchant le troisième instrument aux bornes stéréo AUX RETURN.

## Préserver l'image stéréo de deux instruments

1. Branchez un instrument stéréo aux entrées MIC/LINE des modules 1 et 2 (sortie L sur le module 1, sortie R sur le module 2).
2. Branchez un autre instrument stéréo aux entrées MIC/LINE des modules 3 et 4 (sortie L sur le module 3, sortie R sur le module 4).
3. Réglez le commutateur GAIN, les commandes de contrôle d'écoute ainsi que les curseurs d'entrées comme décrit dans le "Chapitre 3: Enregistrement élémentaire."

4. Réglez le commutateur REC SEL pour chaque module, comme suit:

Réglez le commutateur REC SEL pour le module 1 sur "L."  
 Réglez le commutateur REC SEL pour le module 2 sur "R."  
 Réglez le commutateur REC SEL pour le module 3 sur "OFF."  
 Réglez le commutateur REC SEL pour le module 4 sur "OFF."

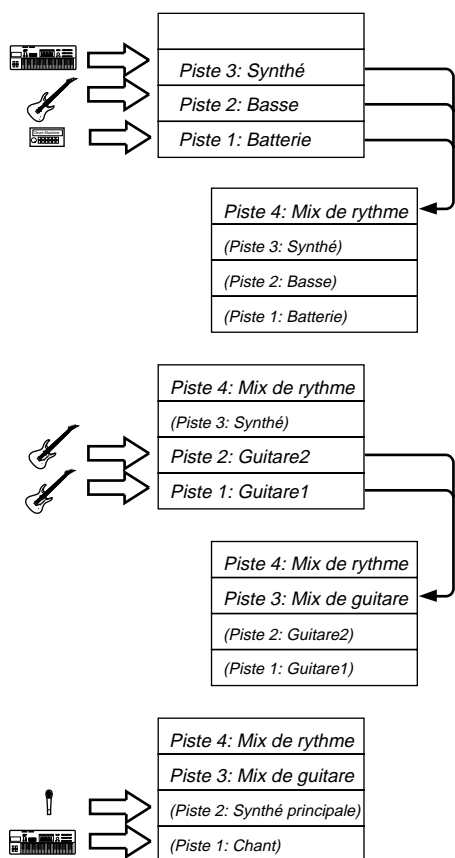
5. Réglez les commandes PAN pour garder le placement stéréo de chaque instrument dans le mixage:

Réglez la commande PAN pour le module 1 sur "L."  
 Réglez la commande PAN pour le module 2 sur "R."  
 Réglez la commande PAN pour le module 3 sur "L."  
 Réglez la commande PAN pour le module 4 sur "R."

6. Appuyez sur REC et lancez les deux instruments stéréo.

Le canal gauche de chaque instrument stéréo sera mixé sur la piste 1 et le canal droit sur la piste 2. Les pistes 3 et 4 sont disponibles pour des enregistrements supplémentaires.

! La procédure décrite ci-contre s'arrête après que nous ayons fusionné les pistes 1, 2 et 3 sur la piste 4. Cependant, rien ne vous empêche de continuer à fusionner des pistes, comme le montre l'illustration suivante. Vous pouvez transformer ainsi votre MT50 en studio d'enregistrement 10 pistes (ou plus)!



! Il est impossible d'ajouter des effets ou de régler la balance des pistes fusionnées sur une autre piste.

Nous vous conseillons de procéder à tous les réglages nécessaires avant de fusionner ces pistes.

## Enregistrement ping-pong (fusion de pistes)

Ce type d'enregistrement vous permet de fusionner des pistes préalablement enregistrées sur une piste encore vierge. Avec cette technique, vous pouvez enregistrer sur plus de quatre pistes.

Cette section vous donne deux exemples: (1) fusion des pistes 1, 2 et 3 sur la piste 4; (2) enregistrement d'une nouvelle source sonore pendant la fusion des pistes.

Cela libérera les pistes 1, 2 et 3 pour d'autres instruments, solos ou chant.

### Exemple 1:

#### 1. Enregistrez d'abord un instrument différent sur chacune des pistes 1, 2 et 3.

Vous pourriez, par exemple, enregistrer la batterie, la basse et le synthé (ou autres instruments). Voyez le chapitre 3 pour en savoir plus. N'oubliez pas de régler le commutateur ZERO STOP.

#### 2. Rebobinez la bande au début du morceau.

#### 3. Débranchez les instruments qui seraient encore connectés aux entrées MIC/LINE des pistes 1, 2, 3 et 4.

#### 4. Réglez le commutateur MONITOR SELECT sur CUE.

#### 5. Amenez la commande MONITOR/PHONES à mi-course.

Modifiez son réglage plus tard si le volume des haut-parleurs n'est pas bon.

#### 6. Tournez les commandes PAN des modules 1, 2 et 3 à bout de course vers la droite (R).

Cela enverra le signal des modules 1, 2 et 3 au bus de sortie stéréo droit.

#### 7. Réglez le commutateur REC SEL pour les modules 1, 2 et 3 sur OFF.

N'effacez pas vos enregistrements antérieurs en enregistrant sur ces pistes.

#### 8. Réglez le commutateur REC SEL pour le module 4 sur R.

Le témoin REC du module 4 clignote.

Cela vous permet d'enregistrer les pistes 1, 2 et 3 sur la piste 4.

#### 9. Réglez les curseurs des modules 1, 2, et 3 sur 7 environ.

#### 10. Réglez le niveau CUE du module 4 sur 7 environ.

#### 11. Appuyez sur REC pour lancer un enregistrement provisoire.

#### 12. Réglez le volume d'enregistrement de la piste 4 tout en équilibrant les niveaux des pistes 1~3.

Servez-vous des curseurs des modules 1, 2 et 3 pour régler la balance des niveaux de telle sorte que l'indicateur de niveau de la piste 4 s'allume momentanément.

**13. Une fois que vous choisissez la bonne position pour le curseur d'entrée des modules 1~3, répétez l'opération pour l'enregistrement définitif de la fusion des pistes.**

Vous pouvez faire appel à cette technique de fusion de trois pistes à plusieurs reprises. Malheureusement, après deux fusions (deux rebondissement dans une autre piste), la qualité du son se détériore rapidement. Néanmoins, ce procédé vous permet de dépasser largement les quatre pistes initiales du MT50.

Vous pouvez fusionner les pistes 1, 2 et 3 tout en enregistrant un instrument branché au module 4.

La procédure est pratiquement identique à celle décrite plus haut (1~13) sauf en ce qui concerne les étapes suivantes:

**Exemple 2:**

**3'. Branchez un instrument au module 4.**

**6'. Tournez la commande PAN du module 4 tout à fait à droite (R).**

**12'. Réglez le niveau d'enregistrement de la piste 4 de sorte à ce que l'indicateur de niveau +6 du module 4 s'allume momentanément tout en équilibrant le volume des pistes 1~4 au moyen des curseurs.**

! Baissez les curseurs des pistes que vous ne désirez pas inclure dans la fusion.

**Remarque:** Évitez autant que possible de faire sauter une piste sur la piste adjacente (évittez, par exemple, d'envoyer la piste 2 sur la piste 1 ou la piste 3) car les fuites de signal au niveau de la tête d'enregistrement risquent de provoquer du feedback (rétroaction).

Lorsque vous ne pouvez faire autrement, réglez soigneusement le niveau d'enregistrement. N'accentuez pas trop le HIGH EQ.

Nous vous recommandons également de régler le dbx sur ON pour éviter autant que possible un effet de feedback.

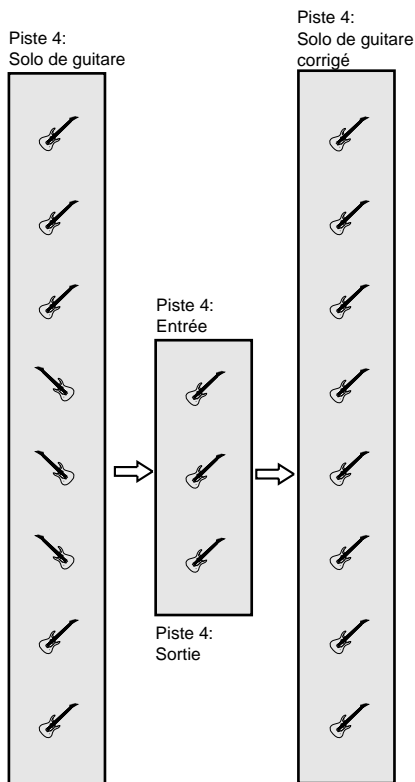
## Correction (Punch In/Out)

Cette technique vous permet de réenregistrer un bref passage sur une piste de la bande pour corriger une erreur.

Ainsi, imaginons que vous ayez joué un super solo de guitare mais que vous ayez dérapé sur deux notes à la mesure 4. Le solo a été enregistré sur la piste 4. (Les autres instruments occupent les pistes 1, 2 et 3).

Il vous suffit d'entrer (punch in) "en piste" au début de la mesure 4, de jouer votre partie sans faute cette fois et de sortir (punch out) à la fin de la mesure 4. Lorsque vous écouterez la reproduction du solo, personne ne soupçonnera la correction.

Vous pouvez entrer et quitter l'enregistrement en vous servant ou non d'un commutateur au pied. Cette section vous décrit les deux méthodes, néanmoins, nous vous recommandons l'usage d'un commutateur au pied qui vous permet de garder les mains libres.



! *Veillez à jouer toute la partie du solo qui doit être corrigée.*

! *Accompagnez d'abord votre solo de guitare un certain nombre de fois jusqu'à la fin de la mesure 4 avant d'enregistrer la correction. Travaillez votre timing et essayez de bien fondre la correction dans l'original. Lorsque vous êtes satisfait, rebobinez la bande.*

! *Notez que vous avez intérêt à utiliser un commutateur au pied FC5 de Yamaha. Bien que physiquement semblable, un commutateur d'une autre marque risque de ne pas donner le résultat escompté.*

### Correction avec un commutateur au pied:

1. **Branchez un commutateur au pied à la borne PUNCH I/O.**
2. **Réglez les commutateurs REC SEL pour les modules 1, 2, et 3 sur OFF.**
3. **Réglez le commutateur REC SEL pour le modules 4 sur "4."**  
Le témoin REC de la piste 4 commence à clignoter.
4. **Réglez le commutateur MONITOR SELECT sur MIX.**
5. **Assurez-vous que le commande MONITOR/PHONES est réglée comme elle l'était avant.**
6. **Assurez-vous que le curseur d'entrée pour le module 4 est au même niveau que lors de l'enregistrement du solo de guitare.**  
Si le niveau de la correction est différent de celui de l'enregistrement original, celle-ci se remarquera.
7. **Appuyez sur PLAY pour reproduire le morceau que vous allez corriger.**
8. **Accompagnez votre solo de guitare ou préparez-vous au tempo pour commencer au début de la mesure 4.**  
N'hésitez pas à battre la mesure avec le pied: cela aide énormément!
9. **Au début de la mesure 4, appuyez sur le commutateur au pied pour commencer l'enregistrement de la correction sur la piste 4 et jouez la mesure 4 de votre solo. A cet instant, le témoin REC du module 4 s'allume.**

Le timing est très important. Si vous commencez trop tôt, vous effacez ce qui se trouve avant la mesure 4... ce que vous vouliez garder donc.

10. **A la fin de la mesure 4, enfoncez le commutateur au pied. Le témoin REC du module 4 clignote.**

Une fois de plus, le timing est important. Si vous arrêtez l'enregistrement de la correction trop tard, vous effacerez ce qui suit la mesure 4.



### Enregistrement de la correction sans commutateur au pied:

La procédure reste grosso modo la même que pour l'enregistrement avec un commutateur au pied. Seules les étapes suivantes changent:

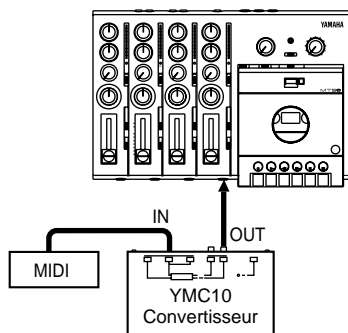
- 1'. (Rien à connecter).
- 9'. Gardez la touche **PLAY** enfoncée pendant que vous mettez le commutateur **REC SEL** du module 4 en position "4". Il convient de ce faire au début de la quatrième mesure.
- 10'. A la fin de la quatrième mesure, vous devez remettre le commutateur **REC SEL** du module 4 en position **OFF** ou appuyer sur la touche **STOP**.

### Utilisation d'un plan de pistes

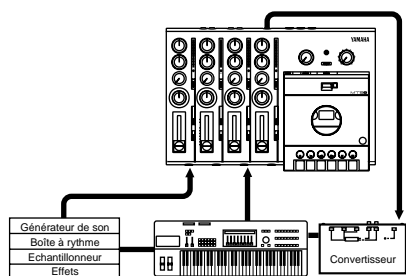
L'illustration suivant vous montre comment remplir un plan de pistes. Vous pouvez inscrire l'instrument joué sur chaque piste et indiquer les réglages des commandes et curseurs pour toute référence ultérieure. Vous trouverez un plan de piste vierge dans l'appendice. Photocopiez-le et faites-en une réserve. Ce type d'information peut parfois venir à point pour recréer un son particulier.

A	Track	Instrument	Other Info	High	Low	Aux	Pan	Fader	Start	Stop	To Track
	1	Boîte à rythme	Programme 012					7	000	350	B-4
	2	Basse	Alembic via Ampeg					7	000	350	B-4
	3	Guitare de rythme	Gibson ES-22, Mesa Boogie					7	064	350	B-2
	4	Guitare principale	'57 Strat, tweed Princeton					8	172	280	B-2

B	Track	Instrument	Other Info	High	Low	Aux	Pan	Fader	Start	Stop	To Track
	1										
	2	Mix de guitare	ES-225 et Strat						064	350	
	3										
	4	Batterie/Basse	Piste rythme						000	350	



! Vous pouvez enregistrer le son produit par l'instrument MIDI et l'enregistrer sur n'importe quelle piste libre et synchroniser le jeu MIDI avec le vôtre.



! Voici qui vous aidera à vous assurer que l'enregistrement est bien synchronisé:

- Réglez le niveau d'enregistrement du signal FSK de la piste 4 entre 0 et +3dB.
- Une fois la position "SYNC" sélectionnée, n'enregistrez pas de musique sur la piste 4.
- Essayez de ne pas enregistrer de musique sur une piste (piste 3) adjacente lors d'un enregistrement synchronisé (lorsque le signal FSK est reproduit sur la piste 4).

## Synchronisation

En enregistrant un signal de synchronisation sur la piste 4, vous pouvez synchroniser le MT50 avec un séquenceur ou une boîte à rythme MIDI.

(FSK ou Frequency Shift Keying est un type de données de tempo de performance MIDI. La piste qui contient le signal FSK a un peu le même rôle que le chef d'orchestre qui contrôle le tempo pour les séquenceurs et boîtes à rythme.)

Si c'est le cas de votre séquenceur ou boîte à rythme, procurez-vous un Yamaha MIDI FSK YMC10 et branchez-le entre votre séquenceur MIDI ou votre boîte à rythme et le MT50.

1. **Branchez la sortie Sync du YMC10 à l'entrée MIC/LINE du module 4.**
2. **Réglez l'horloge de synchronisation de votre appareil MIDI sur "Internal."**
3. **Réglez le curseur du module 4 sur 8 environ.**
4. **Réglez le commutateur dbx sur la position SYNC ou OFF.**  
Lorsque le commutateur dbx est sur SYNC, les pistes 1, 2, et 3 auront leur filtre dbx activé. La piste 4 est sur OFF.
5. **Réglez le commutateur REC SEL pour les modules 1, 2, et 3 sur "OFF." Réglez le commutateur REC SEL pour le module 4 sur "4."**  
Le témoin REC du module 4 clignote.
6. **Appuyez sur REC.**  
Le témoin REC s'allume.
7. **Faites jouer votre séquenceur ou boîte à rythme et enregistrez un signal de synchronisation de la longueur de votre morceau.**
8. **Lorsque vous avez terminé, retirez le câble du module 4.**
9. **Rebobinez la bande.**
10. **Branchez la borne Sync Out du MT50 à la borne d'entrée du YMC10.**

11. **Préparez votre séquenceur ou boîte à rythme MIDI pour la reproduction synchronisée.**

(Réglez l'horloge de synchronisation de votre appareil MIDI sur "MIDI".) Voyez le manuel qui accompagne l'appareil pour en savoir davantage.

12. **Appuyez sur PLAY sur le MT50.**

Votre séquenceur ou boîte à rythme MIDI sera pilotée par le signal de synchronisation venant du MT50.

13. **Accompagnez les parties MIDI avec votre guitare, le chant, un piano, etc. et enregistrez-les au moyen des techniques élémentaires décrites plus haut.**

# Appendice

## Dépannage

Si vous avez des problèmes lors de la manipulation du MT50, cherchez les symptômes dans la liste ci-dessous et voyez ce que vous pouvez faire.

Symptôme	Que faire
<b>Le MT50 ne peut être mis sous tension.</b>	Assurez-vous que l'adaptateur est branché à une prise d'alimentation adéquate.
	Assurez-vous que l'adaptateur est bien relié à la borne DC 12V du MT50.
	Assurez-vous que le commutateur POWER est bien sur ON.
	Si vous ne pouvez toujours pas mettre le MT50 sous tension, contactez votre revendeur Yamaha.
<b>Impossible d'enregistrer.</b>	Avez-vous bien inséré une cassette?
	La bande n'est-elle pas au bout de son parcours?
	Les languettes de protections sont-elles intactes?
	Le commutateur REC SELECT est-il réglé correctement?
<b>L'enregistrement contient du bruit de fond ou de la distorsion.</b>	Lors de l'enregistrement, assurez-vous que le curseur est réglé de telle sorte à ce que la diode 0 s'allume la plupart du temps tandis que la diode +6 ne peut s'allumer que sporadiquement. Si le niveau du signal est trop bas, il y aura du bruit de fond. S'il est trop haut, il y aura de la distorsion.
<b>Les enregistrements sont ternes, contiennent du pleurage et du scintillement ou sont de piètre qualité.</b>	N'utilisez que des cassettes chrome high-quality Type II (High Bias 70 µs EQ).
	Nettoyez la tête et le mécanisme. See "Entretien du MT50" on page 28.
	Essayez avec une nouvelle cassette.
<b>Impossible de reproduire.</b>	Assurez-vous que la cassette est bien insérée.
	Assurez-vous que la bande n'est pas à bout de course.
<b>L'enregistrement n'est pas reproduit à la bonne hauteur.</b>	Assurez-vous que vous n'avez pas modifié la position du commutateur PITCH depuis l'enregistrement.
<b>Impossible d'envoyer un signal à un processeur de signaux externe ou le processeur d'effet ne renvoie pas de signal d'effet.</b>	Augmentez la commande AUX des canaux et relevez le curseur. Vérifiez le niveau AUX RETURN.
<b>Pas de son dans le casque.</b>	Augmentez le volume avec la commande MONITOR/PHONES. Le commutateur MONITOR SELECT est-il bien réglé?
<b>En enregistrement piste par piste, vous n'entendez pas l'instrument que vous jouez.</b>	Relevez le curseur d'entrée du module. Assurez-vous que le commutateur MONITOR SELECT est sur CUE. Augmentez le niveau avec la commande CUE.
<b>La synchronisation par bande ne fonctionne pas convenablement.</b>	Assurez-vous que l'enregistrement du signal FSK se fait bien à un niveau de +3dB. Assurez-vous que votre bande n'est pas usée. Cherchez-en la cause dans le manuel de votre séquenceur. Si vous utilisez un convertisseur MIDI-FSK, vérifiez les connexions.

## Entretien du MT50

Le MT50 demande un minimum d'entretien pour garder la forme. Faites les gestes suivants à intervalles réguliers et votre MT50 vous restera fidèle de longues années durant.

- Nettoyez la tête d'enregistrement ainsi que les cabestans et les rouleaux. (Voyez les "Précautions" au début de ce manuel.)
- Démagnétisez la tête d'enregistrement à intervalles réguliers.

### Nettoyage de la tête d'enregistrement et des composants

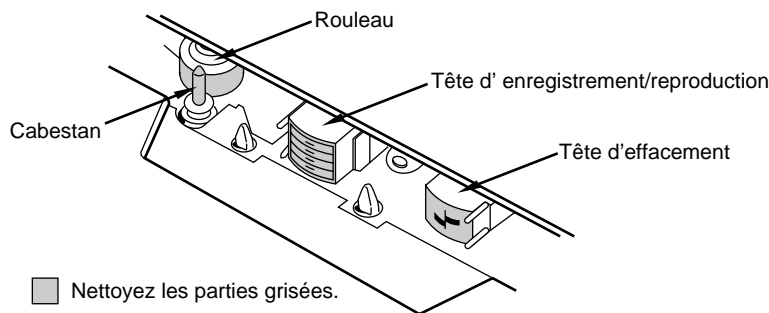
Les têtes d'enregistrement sont les composants délicats qui touchent la bande d'enregistrement. Avec le temps, elles ont tendance à accumuler des résidus d'oxydation et doivent être nettoyées (faute de quoi, vous remarquerez un manque de hautes fréquences dans vos enregistrements).

Les composants alentour (appelés cabestans et rouleaux) accumulent eux aussi des résidus et des poussières qui augmentent le pleurage et scintillement de vos enregistrements.

Pour nettoyer la tête d'enregistrement et le cabestan, servez-vous d'un ensemble de nettoyage de tête. Ces kits contiennent généralement des coton-tiges spécialement conçus et une solution de nettoyage à base d'alcool. Vous les trouverez dans les commerces de matériel audio et électronique. Suivez les instructions données avec le kit et nettoyez soigneusement la tête et le cabestan avec un coton trempé dans la solution de nettoyage.

Il vaut mieux nettoyer les rouleaux avec une solution de nettoyage pour caoutchouc sans alcool. Celle-ci est souvent comprise dans ces kits de nettoyage. L'alcool finit par ressécher et attaquer la partie en caoutchouc du rouleau.

Nettoyez régulièrement ces composants (au plus tard après 10 heures d'enregistrement). Si la tête est sale, l'enregistrement sera accompagné de bruit ou de distorsion. Dans des cas extrêmes, le MT50 risque de ne plus pouvoir enregistrer ou reproduire. Si vous attendez des résultats impeccables d'une session d'enregistrement, nettoyez les têtes au préalable.



## Démagnétiser la tête de lecture

Quand la bande passe sur la tête d'enregistrement, elle la magnétise imperceptiblement. Au bout d'un certain temps, elle finit par se magnétiser. Il faut alors la démagnétiser au moyen d'un démagnétiseur de tête disponible dans les commerces de matériel audio et électronique. Lisez attentivement les instructions l'accompagnant. Tout usage erroné risque d'endommager sérieusement la tête. Veillez à conserver vos cassettes loin du démagnétiseur lors de son utilisation. Il risquerait de tout effacer!

Idéalement, il faut démagnétiser la tête après un maximum de 10 heures d'enregistrement. Si vous prévoyez une session spéciale, nettoyez et démagnétisez la tête au préalable pour vous assurer un résultat optimum.

# Caractéristiques techniques

## Caractéristiques générales

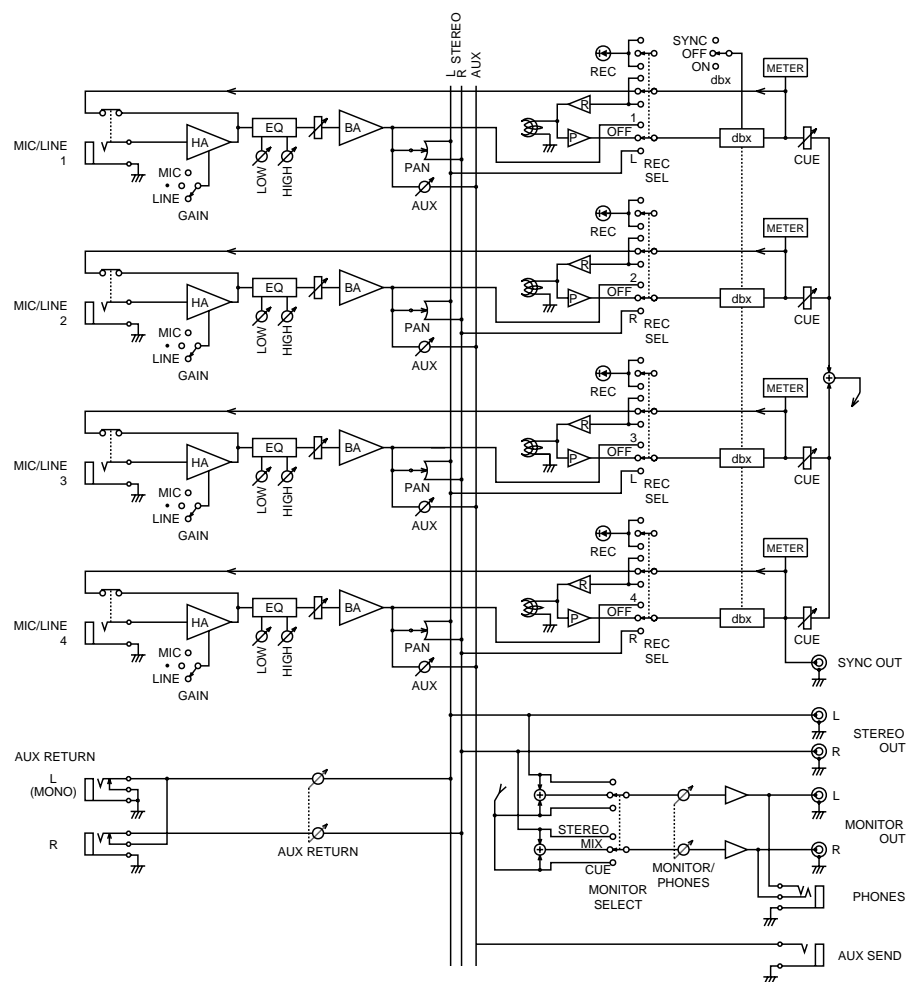
Transport de bande	Type de bande	Cassette C46-90 (Type II High Bias 70 $\mu$ s EQ)
	Format de pistes	4 pistes
	Système de tête	4 canaux; enregistrement/reproduction (tête en permalloy dur)
		4 canaux; effacement (tête en ferrite)
	Moteur	Servo DC
	Vitesse de bande	9.5 cm/sec
	Contrôle de hauteur	$\pm 10\%$
	Pleurage et scintillement	0.12% W. RMS
	Temps de rebobinage	Cassette C60 $\rightarrow$ Approx. 120 secondes
Caractéristiques du mélangeur	Réponse en fréquence	MIC IN vers STEREO OUT, LINE IN vers STEREO OUT, LINE IN vers PHONES OUT: 20 Hz-20 kHz +1, -4 dB
	Rapport signal/bruit	MIC IN vers STEREO OUT: 68 dB, IHF-A (GAIN: MIC)
		LINE IN vers STEREO OUT: 70 dB, IHF-A (GAIN: LINE)
	Egalisation	LOW: $\pm 12$ dB, 80 Hz, plateau
HIGH: $\pm 12$ dB, 12 kHz, plateau		
Caractéristiques de l'enregistreur	Réponse en fréquence	40 Hz-16 kHz +3, -5 dB (dbx* OFF)
	Rapport signal/bruit (@3% THD)	85 dB (dbx* ON, IHF-A)
	Distorsion	1.5% (niveau d'enregistrement 400 Hz, -10 dB)
	Taux d'effacement	55 dB (niveau d'enregistrement 1 kHz, 0 dB, dbx* OFF)
	Filtre	dbx*
Bornes	MIC/LINE	Impédance d'entrée: 10k $\Omega$
		Niveau d'entrée nominal: -10, -30, -50 dB ( curseur nominal)
		Niveau d'entrée min.: -56 dB (commande de gain sur MIC, curseur max)
		Niveau d'entrée max.: +6 dB (commande de gain sur LINE, curseur nominal)
	AUX RETURN L/R	Impédance d'entrée: 10k $\Omega$
		Niveau d'entrée nominal: -10 dB (commande AUX RETURN nominal)
		Niveau d'entrée min.: -16 dB (commande AUX RETURN max)
	STEREO OUT L/R	Impédance de sortie: 1k $\Omega$ Impédance de charge nominale: 10k $\Omega$ Niveau de sortie nominal: -10 dB (charge 10k $\Omega$ )
	AUX SEND	
MONITOR OUT L/R		
SYNC OUT		
PHONES (stereo)	Impédance de charge nominale 8-40 $\Omega$ Niveau de sortie max.: 30mW (40 $\Omega$ load)	
Données générales	Alimentation	Adaptateur (PA-1206)
	Dimensions (L $\times$ H $\times$ P)	337 $\times$ 69.3 $\times$ 231 mm
	Poids	1.7 kg
	Option	Commutateur au pied FC5 pour enregistrement de corrections.

0 dB = 0.775 V rms

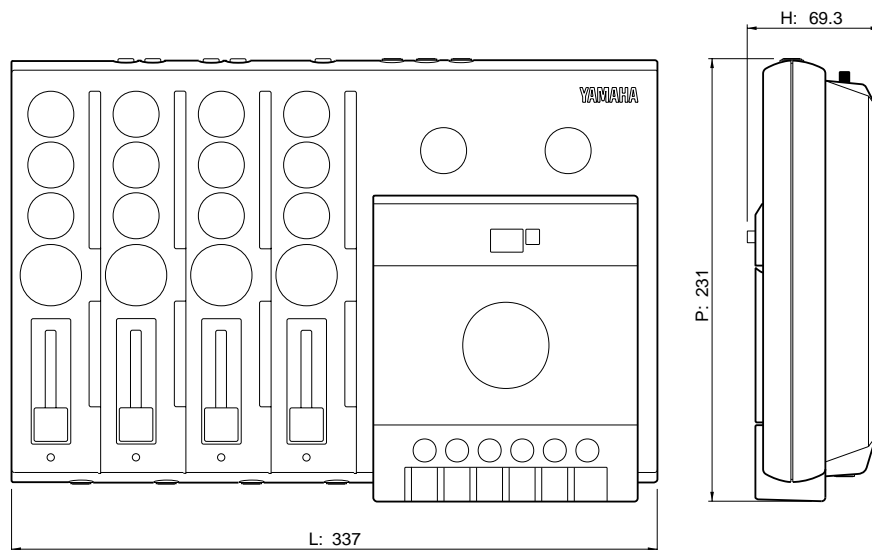
\* Le système dbx noise reduction a été produit conformément à un brevet de THAT Corporation.  
dbx est une marque déposée de Carillon Electronics Corporation.

Ces caractéristiques sont susceptibles d'être modifiées sans préavis.

## Schéma



## Dimensions



---

# Glossaire

---

**Après curseur** — Les bus Aux Send du MT50 sont configurés post curseur, ce qui signifie que le signal aux send est pris après le curseur. Pour envoyer un signal via aux send à un processeur d'effet externe, tournez la commande AUX et relevez le curseur. L'avantage est que vous pouvez contrôler simultanément les signaux AUX et du canal. Voyez avant curseur.

**AUX RETURN (Auxiliary Return)** — La commande AUX RETURN détermine la quantité de signal qui revient aux bornes AUX RETURN (généralement après traitement par un processeur d'effet externe branché à la borne AUX SEND).

**AUX SEND (Auxiliary Send)** — Chaque module a une commande AUX SEND qui détermine la quantité de signal envoyé à la borne AUX SEND (généralement pour être traité par un processeur d'effet externe).

**Avant curseur** — Un signal qui est pris avant le curseur. Le curseur n'a donc aucune influence sur le signal.

**Cabestan** — Le composant fin, semblable à une aiguille situé à côté du rouleau. La bande passe entre le cabestan et le rouleau.

**Commande CUE** — Chaque module est doté d'une commande CUE qui commande la quantité de signal d'écoute de contrôle. Le commutateur MONITOR SELECT contient un réglage pour contrôle d'écoute.

**Commande MONITOR/PHONES** — Commande la quantité de signal envoyé aux bornes MONITOR OUT ou à la prise casque.

**Commutateur GAIN** — Les divers instruments de musique et autres appareils produisent des signaux de niveau différent. Le gain est une mesure d'entrée électronique sur la sortie. Chaque module contient une commande GAIN qui peut être réglée sur un niveau ligne, instrument ou micro.

**Curseur** — Chaque module contient un curseur qui commande le niveau d'entrée pendant l'enregistrement et le niveau de sortie pendant la reproduction.

**DAT (Digital Audio Tape)** — Bande audio qui enregistre un signal numérique (et non analogique) sur bande. Les DAT servent souvent d'enregistreurs maître.

**dbx noise reduction** — L'enregistrement sur bande comporte toujours du bruit. Le MT50 utilise un filtre dbx pour vous garantir de bons enregistrements.

**démagnétiseur** — Petit appareil que l'on tient en main branché à un câble électrique. Il supprime le champ magnétique qui se constitue de façon routinière sur la tête d'enregistrement. Ce geste fait partie de l'entretien régulier de n'importe quel enregistreur à bande.

**Egalisation (EQ)** — Réglage (atténuation ou accentuation) des plages de hautes et basses fréquences. Chaque module contient une commande d'égalisation HIGH et LOW qui fonctionnent comme les commandes Bass et Treble d'un système hifi.

**Enregistrement de correction** — Permet de réenregistrer une petite partie de l'enregistrement pour corriger une erreur.



**Enregistrement en une prise** — Enregistrement de plusieurs instruments simultanément (quatre sur le MT50) avant le mixage final. Excellent pour enregistrer un groupe en action.

**Enregistrement ping-pong** — Ou fusion de pistes. Le transfert de pistes enregistrées vers une piste vierge libère les premières pour d'autres enregistrements.

**Enregistrement piste par piste** — Enregistrement d'une piste tout en écoutant ce qui a déjà été enregistré. Excellent pour l'enregistrement individuel de plusieurs instruments les uns après les autres pour faire une maquette, par exemple.

**Enregistreur maître** — Un deuxième enregistreur utilisé lors du mixage. L'enregistreur maître peut être n'importe quel enregistreur 2 pistes, tels qu'un enregistreur à cassette, à bande ou DAT.

**Entrée MIC/LINE** — Chaque module a une entrée MIC/LINE pour y brancher un instrument ou un appareil électronique à enregistrer.

**FSK (Frequency Shift Keying)** — Convertit les données d'horloge MIDI en fréquences pouvant être enregistrées à des fins de synchronisation.

**Marquage de bande** — Enregistrement d'un code de synchronisation sur bande. Sur le MT50, cet enregistrement se fait sur la piste 4.

**MIDI (Musical Instrument Digital Interface)** — Format de données numériques standardisé afin d'assurer une compatibilité entre instruments électroniques de différentes marques.

**Module** — Le MT50 en contient quatre. Il s'agit des groupes (colonnes) de commandes identiques situés sur le côté gauche de l'appareil.

**Multipiste** — Un enregistrement audio sur un enregistreur multipiste vous permet de créer des pistes indépendantes (quatre sur le MT50) sur une bande magnétique. Vous pouvez ainsi contrôler et traiter ces signaux séparément.

**Mélange ou mixage** — Enregistrement au cours duquel vous combinez plusieurs pistes (souvent quatre) pour créer un produit stéréo.

**Mélange stéréo** — Mélange sur deux pistes avec des canaux stéréo droit et gauche. Le produit fini d'une session de mixage.

**Niveau instrument** — Niveau de gain produit par des instruments tels qu'une guitare ou une basse électrique. Réglez le commutateur GAIN à mi-course environ.

**Niveau ligne** — Le niveau de gain produit par des appareils tels que des synthétiseurs, des boîtes à rythme, un lecteur CD, etc. Réglez le commutateur GAIN au minimum.

**Pan** — Du mot "panoramique". Commandes qui déplacent un signal vers la droite ou la gauche dans l'image stéréo. Chaque module est pourvu d'une commande PAN.

**Piste** — Une plage d'une bande d'enregistrement définie par la tête d'enregistrement. Le MT50 crée quatre pistes sur une face d'une cassette audio.

**Pitch** — La fréquence relative d'un son musical; sa hauteur. La commande PITCH contrôle la hauteur d'un enregistrement en réglant très finement la vitesse de défilement de la bande.

**Plan de pistes** — Un tableau vous permettant de noter ce que vous enregistrez sur chaque piste et dans quel ordre.

**Rouleau** — Petite roue en caoutchouc près du cabestan qui atténue le mouvement de la bande sur la tête.

**Synchronisation** — Technique permettant de coordonner des instruments MIDI externes et la reproduction du MT50 via un code de synchronisation.

**Tête** — Le composant métallique délicat qui touche la bande d'enregistrement magnétique et donne le signal à enregistrer.

# Multitrack Cassette Recorder

# MT50

## Bedienungsanleitung

Deutsch

### Bescheinigung des Importeurs

Hiermit wird bescheinigt, daß der/die/das

Multitrack Cassette Recorder Typ: MT50

(Gerät, Typ, Bezeichnung)

in Übereinstimmung mit den Bestimmungen der

VERFÜGUNG 1046/84

(Amtsblattverfügung)

funkentstört ist.

Der Deutschen Bundespost wurde das Inverkehrbringen dieses Gerätes angezeigt und die Berechtigung zur Überprüfung der Serie auf Einhaltung der Bestimmungen eingeräumt.

Yamaha Europa GmbH

Name des Importeurs

---

# Vorsichtsmaßnahmen

Bitte lesen Sie sich folgende Punkte durch, bevor Sie sich mit dem MT50 an die Arbeit machen.

## Sicherheitsvorkehrungen

- Verlegen Sie das Netzkabel so, daß es nicht gequetscht wird und daß man keine schweren Gegenstände darauf stellen kann.
- Stellen Sie den MT50 niemals in die Sonne und meiden Sie extreme Temperaturen, Feuchtigkeit, Staub, Vibrationen und schwere Stöße.
- Der MT50 darf nur bei Temperaturen zwischen 10°C und 35°C betrieben werden.
- Verwenden Sie ausschließlich das beiliegende Netzteil. Netzteile anderer Hersteller können den MT50 beschädigen.
- Schließen Sie das Netzteil ausschließlich an eine Steckdose an, die auf dem Netzteil oder in dieser *Bedienungsanleitung* aufgeführte Spannung führt.
- Verbinden Sie das Netzteil immer zuerst mit dem MT50 und erst danach mit einer Steckdose. Wenn das Netzteil also bereits an eine Steckdose angeschlossen ist, müssen Sie diese Verbindung wieder lösen, bevor Sie den kleinen Stecker an den MT50 anschließen.
- Ziehen Sie beim Lösen des Netzanschlusses immer nur an dem Gehäuse des Netzteils und niemals an der Schnur, damit die Adern nicht reißen.

## Hinweise zur Handhabung

- Um unnötige Stromschläge zu vermeiden, öffnen Sie den MT50 am besten niemals selbst.
- Lassen Sie den MT50 niemals im Regen oder an extrem feuchten Orten stehen, da das zu Funktionsstörungen und Stromschlägen führen kann.
- An sehr feuchten Orten kann es zu Kondensbildung im Innern des MT50 kommen. Wenn das der Fall ist, müssen Sie den MT50 einschalten. Warten Sie aber, bis das Kondenswasser verdampft ist bevor Sie den MT50 betreiben.

## Pflege

- Wischen Sie den MT50 ausschließlich mit einem trockenen Tuch ab.
- Zum Entfernen von hartnäckigem Schmutz dürfen Sie jedoch ein leicht angefeuchtetes Tuch und ein wenig Seifenlauge verwenden. verwenden Sie jedoch niemals ätzende Reinigungsmittel, wie z.B. Waschbenzin oder Alkohol.

## Wartung und Reparaturen

- Überlassen Sie alle Wartungsarbeiten dem qualifizierten Yamaha-Kundendienst.
- In einem der folgenden Fälle, muß der MT50 zur Kontrolle bzw. Reparatur eingereicht werden:
  - Wenn das Kabel des Netzteils beschädigt ist.
  - Wenn Fremdgegenstände oder Flüssigkeiten ins Geräteinnere gelangt sind.
  - Wenn der MT50 im Regen gestanden hat.
  - Wenn der MT50 hingefallen ist oder das Gehäuse ernste Schäden aufweist.
  - Wenn der MT50 nicht erwartungsgemäß funktioniert oder in seiner Leistung deutlich nachgelassen hat.

© 1994 Yamaha Corporation. Alle Rechte vorbehalten.  
Alle Warenzeichen sind Eigentum der betreffenden Eigentümer.

---

# Inhaltsverzeichnis

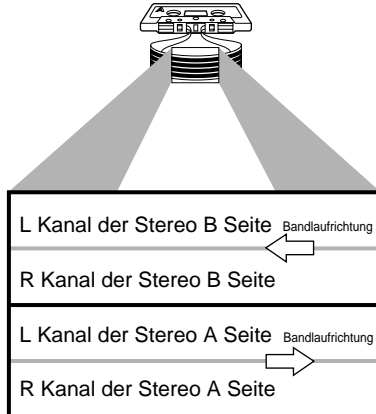
<b>1</b>	<b>Willkommen und viel Spaß mit dem MT50 ..</b>	<b>1</b>
	Ein Wort zur <i>Bedienungsanleitung</i> .....	1
	Was genau ist der MT50? .....	1
	Wahl der Cassetten .....	2
	A propos Mehrspuraufnahme .....	2
	Reichen vier Spuren aus? .....	2
	Ein paar Hinweise .....	3
<b>2</b>	<b>Vorstellung des MT50 .....</b>	<b>4</b>
	Anschlüsse .....	9
<b>3</b>	<b>Aufnahme-ABC .....</b>	<b>10</b>
	Cassetten einlegen .....	10
	Ein-/ausschalten .....	10
	Vorbereitung .....	10
	Schritt 1 — Schlagzeug aufnehmen .....	11
	Schritt 2 — Und nun der Baß .....	12
	Schritt 3 — Aufnahme der Gitarre .....	13
	Schritt 4 — Aufnahme des Gesangs .....	14
	Schritt 5 — Abmischen .....	15
	Vorbereitung .....	15
	Balance .....	15
	Stereoposition (Panorama) .....	16
	Entzerrung (EQ) .....	16
	Einsatz von Effekten .....	16
	Aufzeichnen der Abmischung .....	17
	Anschlußbeispiel .....	18
<b>4</b>	<b>Aufnahmen für Fortgeschrittene .....</b>	<b>19</b>
	Direktaufnahme .....	19
	Ping-Pong Aufnahme .....	19
	Ein- und Aussteigen .....	20
	Synchronisieren .....	20
	Direktaufnahme .....	21
	Ping-Pong Aufnahme .....	25
	Ein- und aussteigen .....	27
	Synchronisation .....	29
	<b>Anhang .....</b>	<b>30</b>
	Bei kleinen Pannen .....	30
	Pflege des MT50 .....	31
	Technische Daten .....	33
	Allgemeine Spezifikationen .....	33
	Blockschaltbild .....	34
	Abmessungen .....	34
	<b>Glossar .....</b>	<b>35</b>

# 1

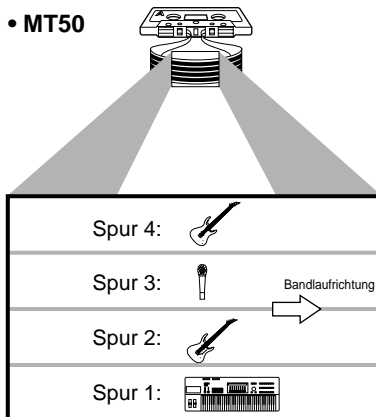
## Willkommen und viel Spaß mit dem MT50

Vielen Dank, daß Sie sich für den Yamaha MT50 Multitrack Cassette Recorder entschieden haben. Der MT50 ist ein benutzerfreundlicher Mehrspurrecorder, mit Sie Musik hochqualitativ aufzeichnen können. Um dieses Gerät so schnell wie möglich effizient bedienen zu können, raten wir Ihnen, sich diese Bedienungsanleitung durchzulesen.

### • Herkömmliches Cassettendeck



### • MT50



\* Das dbx Rauschunterdrückungssystem wurde aufgrund einer Lizenz von THAT Corporation hergestellt.

dbx ist ein eingetragenes Warenzeichen von Carillon Electronics Corporation.

## Ein Wort zur *Bedienungsanleitung*

Diese *Bedienungsanleitung* enthält vier Kapitel.

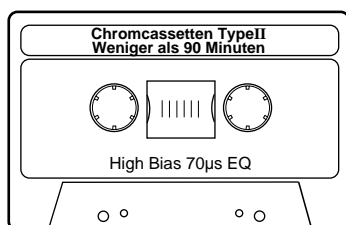
- Kapitel 1: Willkommen und viel Spaß mit dem MT50
- Kapitel 2: Vorstellung des MT50
- Kapitel 3: Aufnahme-ABC
- Kapitel 4: Aufnahmen für Fortgeschrittene

Kapitel 2: "Vorstellung des MT50" enthält eine Beschreibung des Bedienungsorgane sowie der Anschlußbuchsen des MT50. In Kapitel 3 "Aufnahme-ABC" finden Sie Anschlußbeispiele, Hinweise zum Ein- und Ausschalten sowie eine fein aufgegliederte Beschreibung der Bedienung des MT50. Kapitel 4 "Aufnahmen für Fortgeschrittene" schließlich enthält Hinweise zur etwas anspruchsvolleren Bedienung des MT50, wie z.B. der einfachen Aufnahme, der Überspielung, dem Ein- und Aussteigen sowie der Synchronisation mit MIDI-Geräten.

Wenn dies Ihr erster Mehrspurrecorder ist, lesen Sie sich das 2. Kapitel am besten gründlich durch. Im Anhang finden Sie schließlich alle technischen Daten und ein Glossar.

## Was genau ist der MT50?

Ein handelsüblicher Cassettenrecorder kann nur jeweils auf zwei Spuren (den linken und rechten Kanal) aufnehmen. Diese Aufnahme geschieht außerdem immer zeitgleich. Mit dem MT50 hingegen können Sie vier Spuren einer herkömmlichen Compact Cassette bespielen. Außerdem braucht das nicht gleichzeitig zu geschehen, obwohl das natürlich möglich ist. Wenn Sie aber zuerst auf eine Spur und später einen zweiten Part auf eine andere Spur aufnehmen, so wird das *Überspielen* (Overdub) genannt. Der MT50 spricht also jeweils alle vier Spuren einer Compact Cassette an, weshalb man auch nur auf einer Seite Audiomaterial aufzeichnen kann. Das rührt daher, daß der MT50 die volle breite des Cassettenbandes nutzt. Außerdem ist der MT50 mit einem dbx Rauschunterdrückungssystem ausgestattet, mit dem Rauschen und andere Störsignale unterdrückt werden, ohne daß dabei die Aufnahmequalität in Mitleidenschaft gezogen wird. Wenn erst einmal alle vier Spuren bespielt sind, können Sie das Audiomaterial abmischen – und zwar in Stereo. Hierfür ist der MT50 mit einem flexiblen Mischpult mit Entzerrern (EQ), Panorama und Effektwegen ausgerüstet.



Band	Spieldauer
90 min.	Ungef. 22,5 min.
60 min.	Ungef. 15 min.
30 min.	Ungef. 7,5 min.

## Wahl der Cassetten

Um eine optimale Signalqualität zu erzielen, raten wir Ihnen, ausschließlich Type II (High Bias 70  $\mu$ s EQ) Chromcassetten (90 Minuten) zu verwenden, am besten der Marke TDK SA, Maxell UD-XLII oder Sony UX-S. Verwenden Sie niemals 120 Minuten-Cassetten und erst recht keine Metallbänder. Bei normaler Geschwindigkeit verfügen Sie also über eine Spieldauer von 15 Minuten, weil der MT50 doppelt so schnell läuft wie ein herkömmliches Cassettendeck und außerdem nur die A-Seite verwendet werden kann.

## A propos Mehrspuraufnahme

Das Wort *Mehrspuraufnahme* bezieht sich auf ein Verfahren, bei dem man auf mehr als eine Spur aufzeichnet (eine Spur ist ein Teil eines Tonbands). Diese Technik wurde in den 50er Jahren von Les Paul erfunden und hatte sofort einen durchschlagenden und nachhaltigen Erfolg in der Audiobranche. Plötzlich konnte man nämlich einzelne Instrumente auf verschiedene Spuren aufzeichnen und später (also nach der Aufnahme) abmischen und eventuell noch bearbeiten.

Der MT50 bietet diese Möglichkeit nun in einem unglaublich kompakten und tragbaren Gehäuse, so daß Sie im wahrsten Sinne des Wortes an jedem beliebigen Ort aufnehmen können – im Proberaum mit der Band oder daheim im Schlafzimmer. Im Verbund mit anderen Techniken, wie z.B. MIDI und Effektgeräten können Sie mit dem MT50 also durchaus überzeugende Aufnahmen erstellen.

## Reichen vier Spuren aus?

Der MT50 ist ein Vierspurrecorder: Mithin können Sie also vier separate Parts auf einer Cassette aufzeichnen.

Bestimmt haben Sie bereits bemerkt, daß sich links vier "Modulgruppen" mit denselben Bedienelementen befinden. Diese Module dienen zum Einstellen der Lautstärke, der Tonregelung, der Stereoposition und der Lautstärke für das den Effektgeräten zugeführte Signal – und zwar für jede Spur einzeln.

Diese Kombination von vier Eingängen, vier Mischkanälen und vier Spuren bietet Ihnen eine eindrucksvolle Flexibilität. Sie können nämlich das Signal jedes beliebigen Eingangs jeder beliebigen Spur zuordnen. (Mit anderen Worten: Sie brauchen das an Modul 1 anliegenden Signal nicht unbedingt auf Spur 1 aufzunehmen. Es kann genauso gut auf Spur 2, 3 oder 4 aufgezeichnet werden.)

Darüber hinaus können Sie das Signal dreier Spuren gemeinsam auf die vierte Spur aufzeichnen, so daß die ersten drei Spuren für weitere Einspielungen verwendet werden können. Diese Technik nennt man *Ping-Pong*, mit der man also mehr Parts aufnehmen kann als es Spuren gibt.

## Ein paar Hinweise

- Verwenden Sie den MT50 niemals in der Nähe von Rheostaten (variable Lichtschalter), Klimaanlage usw., da sie alle Brummschleifen verursachen.
- Wenn Sie für die Aufzeichnung Mikrofone verwenden, sollten Sie das immer in einem Raum tun, der sich dafür eignet. Sie brauchen also eine gute Akustik. Selbstverständlich bleibt es völlig Ihnen überlassen, wie und wo Sie die Mikros aufstellen. Kleinste Änderungen können nämlich gewaltige Unterschiede zur Folge haben.
- Verwenden Sie ausschließlich hochwertige und abgeschirmte Kabel.
- Wenn Sie Analog- oder Digital-Effektgeräte besitzen, möchten Sie sie wahrscheinlich auch verwenden. Übertreiben Sie jedoch nicht, da z.B. zuviel Hall eine Aufnahme in der Regel undeutlicher macht. Warten Sie mit dem Hall zur Abmischung, damit alles wie aus einem Guß klingt.

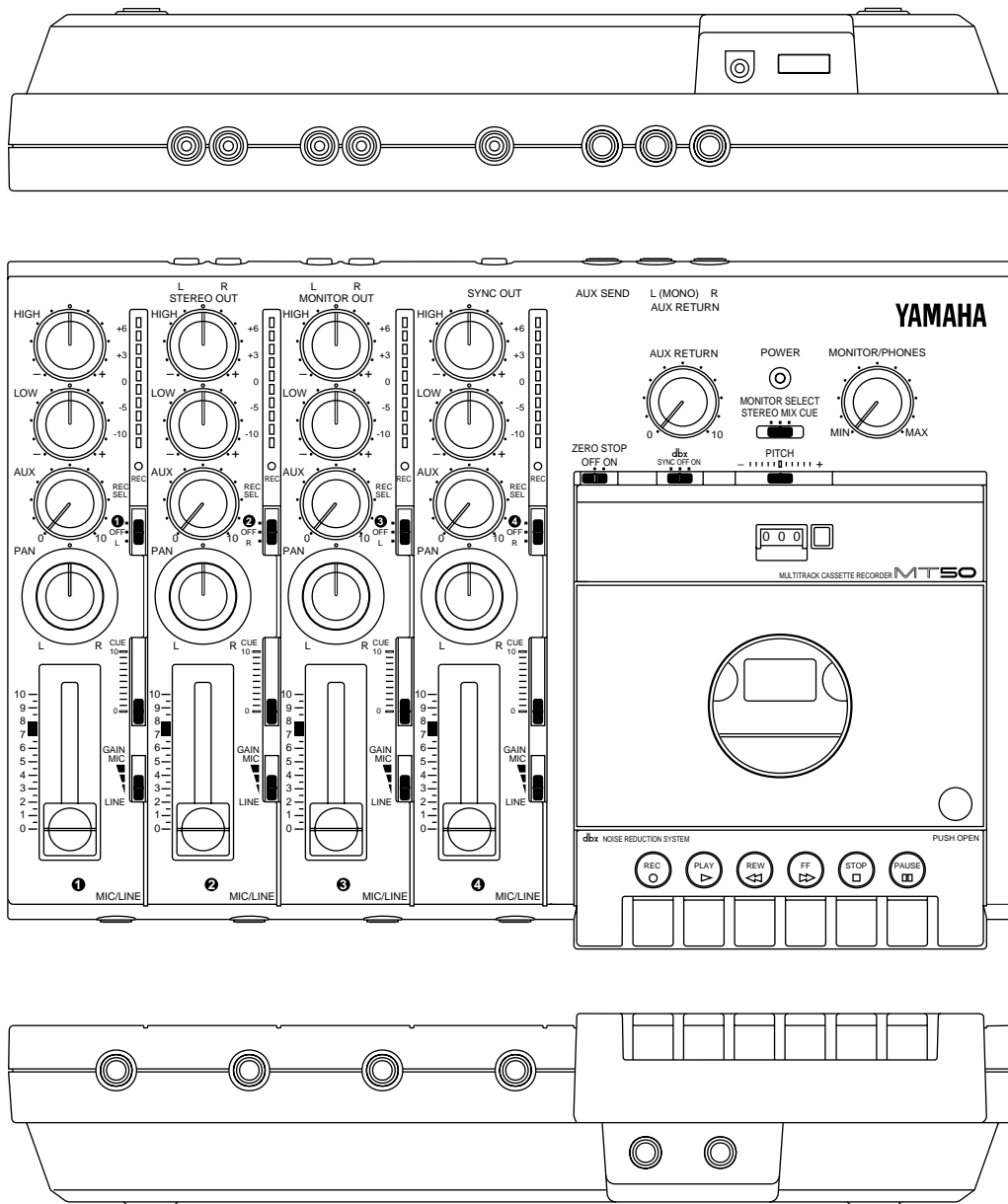


# 2

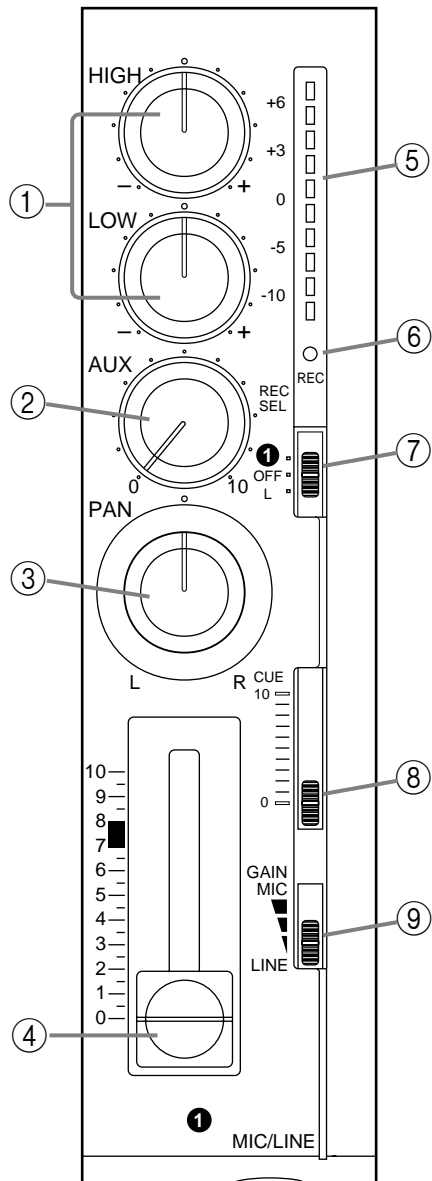
## Vorstellung des MT50

In diesem Kapitel stellen wir Ihnen den MT50 sowie seine Bedienelemente und Anschlüsse vor. Außerdem erklären wir Ihnen, wie man sie einsetzt.

Wenden wir uns zuerst den Bedienelementen der Module zu. Weiter unten finden Sie eine diesbezügliche Abbildung. Anschließend beschreiben wir die allgemeinen Bedienelemente und schließlich die Anschlüsse. Die Abbildungen in diesem Kapitel helfen Ihnen bestimmt beim Finden der betreffenden Elemente. Das hilft Ihnen dann wieder beim Durcharbeiten unseres Beispiels in Kapitel 3 "Aufnahme-ABC".



**Achtung:** Die Elemente 1~9 haben in allen vier Eingangsmodulen dieselbe Funktion.

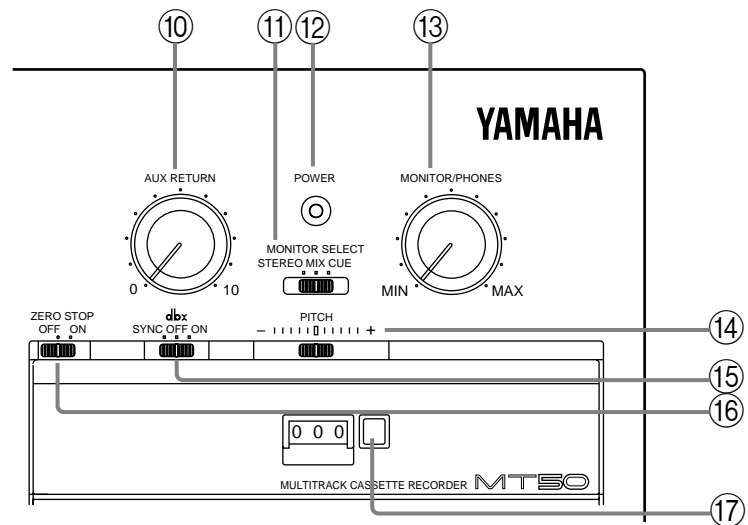


! Wenn Sie's lieber technisch mögen: der HIGH Regler bezieht sich auf 12kHz, während der LOW Regler zum Anheben und Absenken der Frequenzen um 80Hz dient. Die Anhebung beträgt jeweils maximal 12dB.

- ① **HIGH und LOW Entzerrungsregler:** Mit diesen Reglern können Sie die Klangfarbe des betreffenden Signals ändern (EQ). Wenn Sie etwas an die MIC/LINE-Buchse angeschlossen haben, bezieht sich die Einstellung dieser Regler auf das Eingangssignal, d.h. das Signal, das aufgenommen werden soll. Haben Sie nichts an die MIC/LINE Buchse angeschlossen, bezieht sich die Einstellung dieser Regler auf die Klangfarbe des Wiedergabesignals, d.h. des Signals, das sich bereits auf Band befindet und abgehört oder abgemischt wird.
- ② **AUX Regler:** Mit diesem Regler bestimmen Sie den Signalpegel, der an den Effekthinweg angelegt wird (AUX SEND Ausgang, den Sie mit dem Eingang des Effektgeräts verbinden müssen). Das Signal des Effekthinwegs wird hinter den Schieberegler (Fadern) abgegriffen. Um ein Signal also mit Effekten zu versehen, müssen Sie sowohl den AUX-Regler als auch den Fader einstellen.
- ③ **PAN Regler:** Mit diesem Regler bestimmen Sie die Stereoposition des Signals im Stereoschallbild (d.h. zwischen dem linken und rechten Kanal). Wenn Sie diesen Regler nach rechts drehen, befindet sich das betreffende Signal rechts im Schallbild. Drehen Sie ihn nach links, so ordnen Sie das Signal dem linken Kanal zu. Wenn der Regler sich in der Mitte befindet, ist die Lautstärke des Signals in beiden Kanälen gleich stark.
- ④ **Fader (Schieberegler):** Wenn Sie eine Signalquelle an den MIC/LINE Eingang angeschlossen haben, bestimmen Sie mit dem Fader den Aufnahmepegel (d.h. die Lautstärke, mit der das Signal auf Band aufgezeichnet wird). Haben Sie nichts an den MIC/LINE Eingang angeschlossen, bestimmen Sie mit diesem Fader den Wiedergabepegel des Bandsignals (d.h. des Signals, das Sie bereits auf Band aufgezeichnet haben und das Sie gerade abmischen). Im Sinne eines optimalen Signalpegels sollte sich dieser fader zwischen 7 und 8 befinden.
- ⑤ **Pegelanzeige:** Diese LED-Kette zeigt entweder den Aufnahme- oder den Wiedergabepegel an. Der Aufnahmepegel ist dann optimal, wenn die +6 Diode nur bei Signalspitzen aufleuchtet. Wie gesagt, bestimmen Sie den Aufnahmepegel mit den Fadern.
- ⑥ **REC Diode:** Diese Diode zeigt den Aufnahmebetrieb an.
  - Aus** — Der REC SEL Schalter befindet sich in der OFF Position.
  - Blinkt** — Der REC SEL Schalter befindet sich in einer "An" Position (d.h. 1, 2, 3, 4, L oder R, was bedeutet, daß Sie auf die betreffende Spur aufnehmen können).
  - Leuchtet** — Aufnahme läuft oder wurde kurz unterbrochen.

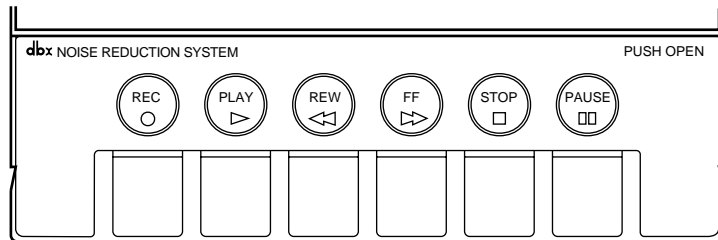
- ⑦ **REC SEL Schalter:** Mit diesem Schalter wählen Sie das Signal, das aufgenommen werden soll.  
**Off** — Aufnahme unmöglich.  
**1 (2, 3, 4)** — Das an MIC/LINE anliegende Signal wird aufgenommen.  
**L (R)** — Das Signal des linken (oder rechten) Kanals wird aufgezeichnet. Das Signal des linken Kanal kann auf Spur 1 oder 3 aufgezeichnet werden. Das Signal des rechten Kanal hingegen kann ausschließlich auf Spur 2 oder 4 aufgezeichnet werden. Wählen Sie L oder R bei der Ping-Pong Aufnahme.
- ⑧ **CUE Regler:** Mit diesem Regler können Sie den Abhörpegel einstellen. Dieser Abhörpegel ist völlig unabhängig von dem mit dem Fader eingestellten Pegel und dient ausschließlich zur Kontrolle. Dieser Regler ist nur belegt, wenn sich der MONITOR SELECT Schalter in der MIX oder CUE Position befindet.
- ⑨ **GAIN Schalter:** Mit diesem Schalter können Sie die Eingangs- anhebung des an MIC/LINE anliegenden Signals einstellen. Wählen Sie immer die Einstellung, die sich am besten für die gewählte Signalquelle eignet:  
**MIC** — Mikrofone oder niederpegelige Signalquellen.  
**Mitte** — elektrische Gitarre oder Baßgitarre.  
**LINE** — Synthesizer, Drummaschine, CD-Spieler und andere hochpegelige Signale.
- ⑩ **AUX RETURN Regler:** Mit diesem Regler bestimmen Sie den Pegel des AUX RETURN Effektsignals (d.h. die Lautstärke des vom Ausgang des Effektprozessors an die entsprechende Buchse angelegten Signals). Dieses Signal wird der Stereo-Abmischung zugeordnet.
- ⑪ **MONITOR SELECT Schalter:** Mit diesem Schalter bestimmen Sie die Signalquelle, die an der PHONES und MONITOR Buchse anliegt.  
**Stereo** — Diese Einstellung bedeutet, daß das Signal des PAN Reglers abgegriffen wird (den Pegel dieses Signals bestimmen Sie allerdings mit den Fadern).  
**Cue** — In diesem Fall ist CUE die Signalquelle (deren Pegel Sie also mit dem CUE Regler einstellen können). Verwenden Sie diese Einstellung beim Überspielen.  
**Mix** — In diesem Fall ist die Signalquelle sowohl CUE als auch die Stereosumme. Wählen Sie diese Einstellung beim Ein- und Aussteigen.
- ⑫ **POWER Diode:** Diese Diode leuchtet, wenn der MT50 eingeschaltet und betriebsbereit ist.

- ⑬ **MONITOR/PHONES Regler:** Mit diesem Regler bestimmen Sie den Ausgangspegel des an MONITOR OUT und PHONES anliegenden Signals.



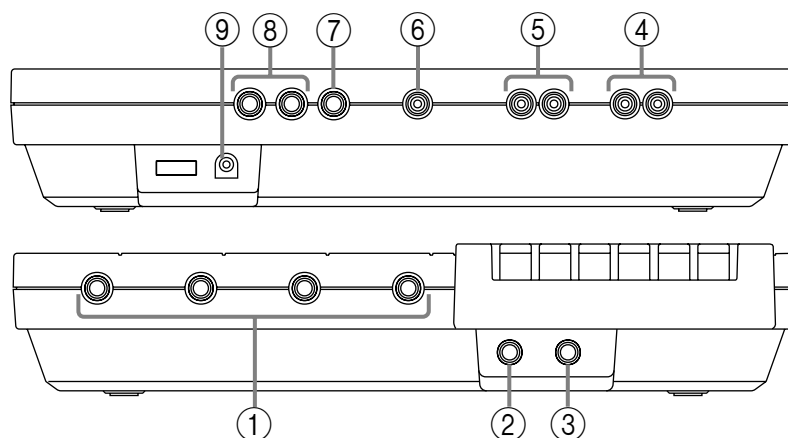
- ⑭ **PITCH Regler:** Mit diesem Regler können Sie die Bandlaufgeschwindigkeit ändern ( $\pm 10\%$ ). Um die normale Bandgeschwindigkeit (9.5 cm/sec) zu erzielen, stellen Sie diesen Regler am besten in die Mittenposition.
- ⑮ **dbx Schalter:** “dbx” ist ein durchdachtes Rauschunterdrückungssystem, mit dem man “sauberere” Aufnahmen anfertigen kann. Mit diesem Schalter können Sie die Rauschunterdrückung ein- und ausschalten. Bedenken Sie aber, daß es drei Möglichkeiten gibt:
- OFF** — dbx Rauschunterdrückung ist ausgeschaltet.
  - ON** — dbx Rauschunterdrückung ist für alle vier Spuren eingeschaltet.
  - SYNC** — dbx Rauschunterdrückung ist aktiv für Spur 1, 2 und 3, aber nicht für Spur 4. Wählen Sie diese Einstellung, wenn Sie auf Spur ein Synchronisationssignal aufgezeichnet haben.
- Achtung:** Wenn Sie das Synchronisationssignal bei auf ON oder SYNC eingestelltem dbx Schalter aufgezeichnet haben, müssen Sie den dbx Schalter auch bei der Wiedergabe wieder so einstellen. Ändern Sie die Einstellung dieses Schalters niemals im Laufe einer Aufnahme.*
- ⑯ **ZERO STOP Schalter:** Wenn Sie diesen Schalter auf ON stellen, hält die Cassette beim Zurückspulen automatisch beim Wert 999 an (die REW Taste bleibt allerdings gedrückt).
- ⑰ **Bandzählwerk und RESET Taste:** Das Zählwerk zeigt selbstverständlich die gegenwärtige Bandposition an, so das Sie jederzeit ein bestimmte Stelle des Stücks anfahren können. Wenn Sie den RESET Taster drücken, wird das Zählwerk wieder auf 000 gestellt.

- ⑱ **Bandtransporttasten:** Von links nach rechts handelt es sich um folgende Funktionen: Anwahl der Aufnahmebereitschaft (REC), Starten des Bandes (PLAY), Zurückspulen (REW), Anhalten des Bandes, (STOP) und Anwahl des Pausebetriebs (PAUSE).



## Anschlüsse

- ① **MIC/LINE Eingangsbuchsen:** Hier können Sie die Signalquelle (Mikrofon, Instrumente und Line-Pegelquellen) anschließen.
- ② **PHONES Buchse:** An diese Buchse können Sie einen Stereo-Kopfhörer anschließen, den Sie bei der Aufnahme und Abmischung bestimmt brauchen werden.
- ③ **PUNCH I/O Buchse:** Wenn Sie an diese Buchse einen optionalen Fußtaster von Yamaha (FC4 oder FC5) anschließen, können Sie per Fuß ein- und aussteigen (Punch In/Out).
- ④ **STEREO OUT Buchsen:** Hier liegt das abgemischte Stereosignal an, das Sie mit der Master-Maschine aufnehmen können. Verbinden Sie diese Buchsen also mit den Eingängen des Master-Recorders.
- ⑤ **MONITOR OUT Buchsen:** An diesen Buchsen liegt das Monitorsignal an. Diese Buchsen verbinden Sie am besten mit aktiven Lautsprechern oder einer Endstufe.
- ⑥ **SYNC OUT Buchse:** An dieser Buchse liegt das FSK-Signal an, mit Hilfe dessen der MT50 einen MIDI-Sequenzer oder eine Drummaschine synchronisieren kann. Am besten verwenden Sie für die Wandlung einen YMC10 von Yamaha.
- ⑦ **AUX SEND Buchse:** An dieser Buchse liegt die Summe des Effekthinwegs (AUX SEND) an. Verbinden Sie diese Buchse mit dem Mono-Eingang eines externen Effektgeräts (z.B. eines Yamaha FX770 oder REV100).
- ⑧ **AUX RETURN Buchsen:** An diese Buchsen müssen Sie die Stereo-Ausgänge des verwendeten Effektgeräts anschließen. Ist das externe Effektgerät mono, so müssen Sie dessen Ausgang an die Buchse L/Mono anschließen. Andernfalls verbinden Sie den rechten Ausgang mit der Buchse R und den linken Ausgang mit der Buchse L.
- ⑨ **DC 12V POWER Buchse:** Hier müssen Sie das beiliegende Netzteil anschließen



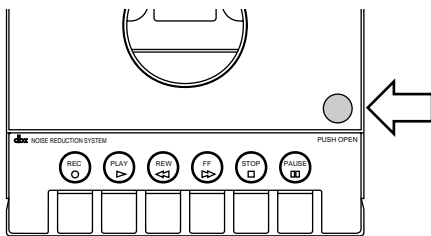
# 3

## Aufnahme-ABC

In diesem Kapitel erfahren Sie, wie man eine Überspielung (Overdub) erstellt. Überspielungen sind die Basis von Mehrspuraufnahmen, weil man damit alles selbst –und zwar partweise– aufnehmen kann. Das Prinzip dabei ist, daß man sich jeweils anhören kann, was bereits “im Kasten ist”, während man gleichzeitig einen weiteren Part einspielt. Im folgenden Beispiel verwenden wir eine Drummaschine, eine Baßgitarre, eine E-Gitarre und eine Stimme. Selbstverständlich können Sie aber auch jedes beliebige andere Instrument aufnehmen.

Sehen wir uns zuerst die Spurverteilung an:

Spur	Instrument	Andere Informationen
1	Schlagzeug	RYZZ Drummaschine. Song 10, “I Love You”
2	Baß	Dieters E-Baß mit Chorus-Effekt
3	E-Gitarre	Meine Strat nebst Marshall Verstärker
4	Stimme	Susanne mit FM58 Mikrophon



**! Vorsicht:** Schalten Sie alle Geräte aus, bevor Sie sie aneinander anschließen.

**! Vorsicht:** Schließen Sie das Netzteil ausschließlich an eine Steckdose an, die erforderliche Spannung führt

### Cassetten einlegen

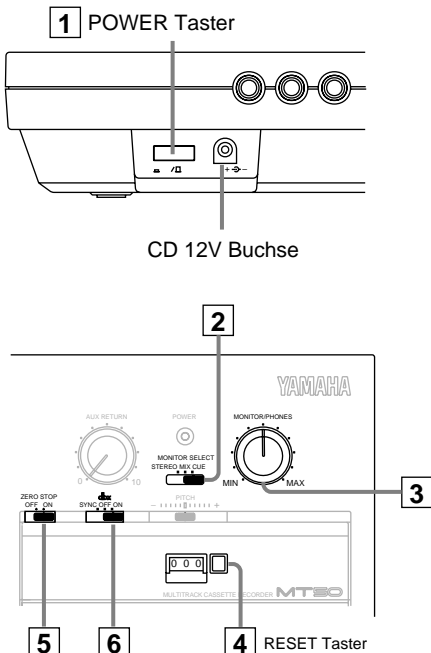
1. Legen Sie die Cassetten immer vorsichtig ein.
2. Verbinden Sie den kleinen Stecker des Netzteils mit der DC 12V Buchse.
3. Stecken Sie das Netzteil in eine geeignete Steckdose.
4. Schließen Sie einen Stereo-Kopfhörer an die PHONES Buchse an oder verbinden Sie die MONITOR OUT Buchsen mit aktiven Lautsprechern.

### Ein-/ausschalten

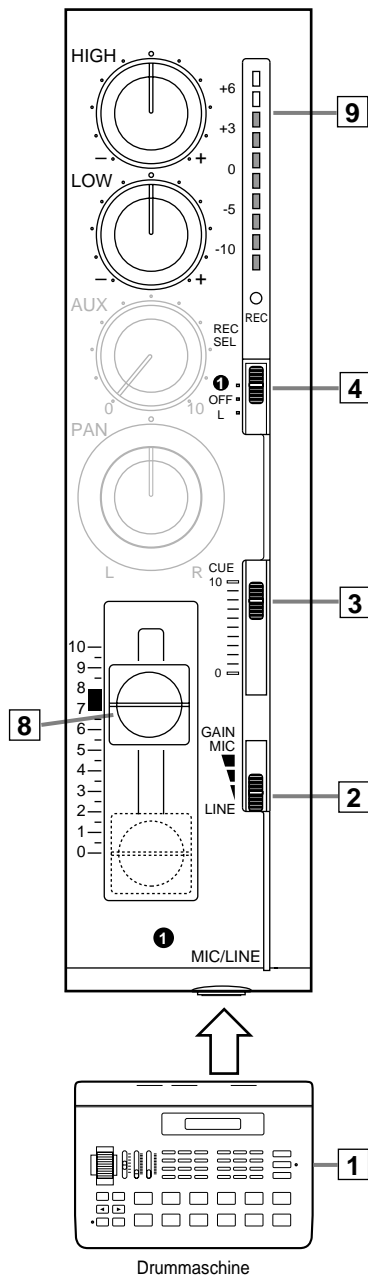
1. Drücken Sie den POWER Taster, um den MT50 einzuschalten.  
Die POWER Diode leuchtet nun.

### Vorbereitung

2. Stellen Sie den MONITOR SELECT Schalter auf CUE.
3. Stellen Sie den MONITOR/PHONES Regler ungefähr in die Mitteposition. Später können Sie den Pegel immer noch ändern.
4. Drücken Sie den RESET Taster, damit das Zählwerk den Wert 000 anzeigt.
5. Schalten Sie die ZERO STOP Funktion ein.
6. Schalten Sie die dbx Rauschunterdrückung ebenfalls ein.



## Schritt 1 — Schlagzeug aufnehmen



! Ein Stück, das nur mit Schlagzeug beginnt, ist natürlich sehr leicht aufzunehmen. Wenn aber alle Instrumente gleichzeitig beginnen müssen, sollten Sie auch das Einzählen aufnehmen.

1. Verbinden Sie die Drummaschine mit dem MIC/LINE Eingang 1.
2. Stellen Sie den GAIN Schalter von Modul 1 auf LINE.
3. Stellen Sie den CUE Regler von Modul 1 auf ungefähr 8.
4. Stellen Sie den REC SEL Schalter von Modul 1 auf 1.  
Die REC Diode blinkt nun.
5. Drücken Sie den PAUSE Taster.
6. Drücken Sie den REC Taster.  
Nun leuchtet die REC Diode.
7. Starten Sie die Wiedergabe der Drummaschine
8. Schieben Sie den Fader von Modul allmählich höher.  
Im Prinzip hören Sie die Drummaschine jetzt. Außerdem müßte die Pegelanzeige aufleuchten.
9. Stellen Sie den Fader so ein, daß die +6 Diode nur bei sehr lauten Schlägen kurz aufblinkt, während sich der Normalpegel ungefähr bei 0 befindet.

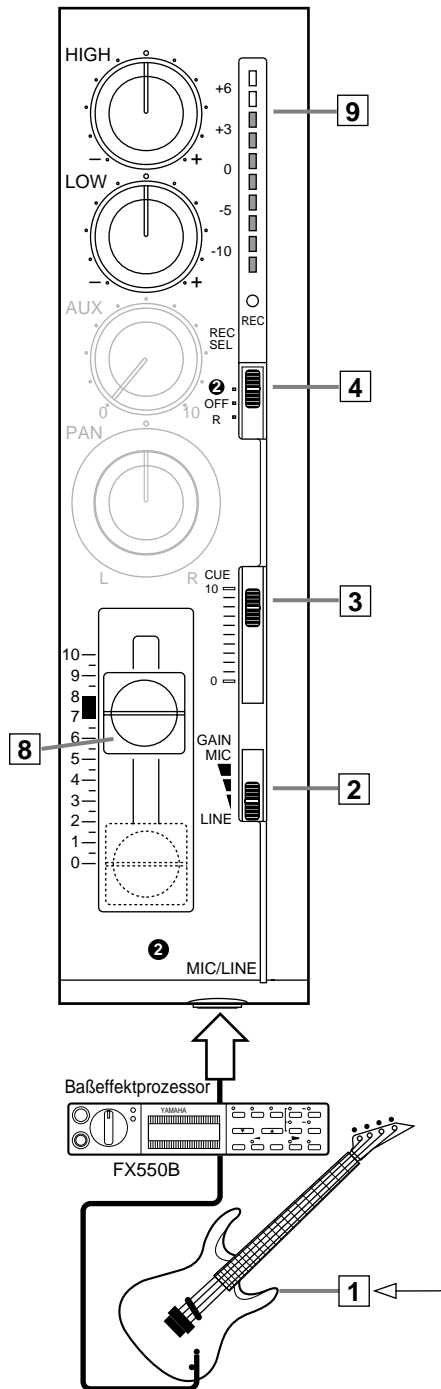
**Achtung:** Wenn der Ausgangspegel der Drummaschine nicht hoch genug ist, müssen Sie den Fader zuerst auf 0 stellen und anschließend den GAIN Schalter in die Mittenposition schieben (für Instrumente). Heben Sie den Fader anschließend wieder an.

Mit dem Fader dieses Kanalzugs (oder Moduls) bestimmen Sie den Aufnahmepegel. Tun Sie das jedoch immer, während Sie die Pegelanzeige dieses Moduls im Auge behalten. Mit dem CUE und MONITOR/PHONES Regler können Sie hingegen den Abhörpegel einstellen. Dort bleibt es Ihnen überlassen, wie laut Sie gehen möchten. Der Aufnahmepegel sollte jedoch immer so hoch wie möglich sein.

10. Drücken Sie den PAUSE Taster, um die Aufnahme zu starten.
11. Starten Sie die Drummaschine.
12. Sobald der Drum Part zuende ist, drücken Sie auf STOP, um die Aufnahme anzuhalten.
13. Drücken Sie auf REW, um die Cassette zurückzuspulen.  
Beim Wert 999 hält die Cassette automatisch an, weil wir vorhin die ZERO STOP Funktion eingeschaltet haben.
14. Stellen Sie den REC SEL Schalter von Modul 1 wieder auf OFF.  
Nun erlischt die REC Diode.
15. Drücken Sie auf PLAY, um sich den Drum Part anzuhören.  
Wenn Sie möchten, können Sie aber auch sofort weitermachen mit "Schritt 2 — Und nun der Baß" Gefällt Ihnen der Schlagzeugpart nicht, können Sie ihn noch einmal aufnehmen.
16. Die Verbindung mit der Drummaschine kann nun wieder gelöst werden.
17. Stellen Sie den Fader von Modul 1 wieder auf 0.
18. Drücken Sie REW, um die Cassette zu 000 zurückzuspulen.



## Schritt 2 — Und nun der Baß



### 1. Verbinden Sie den E-Baß mit MIC/LINE Eingang 2.

**Achtung:** Die Direktaufnahme von hochpegeligen Signalen wie z.B. einer E-Gitarre oder Baßgitarre kann einerseits zu Rauschen und andererseits zu Verzerrung führen.

Ist das bei Ihnen der Fall, sollten Sie eine DI-Box oder ein Effektgerät zwischen die Signalquelle und den MT50 schalten, um die Impedanz zu verringern.

### 2. Stellen Sie den GAIN Schalter von Modul 2 auf LINE.

### 3. Schieben Sie den CUE Regler von Modul 2 ungefähr auf 8.

### 4. Stellen Sie den REC SEL Schalter von Modul 2 auf 2.

Die REC Diode blinkt nun.

### 5. Drücken Sie den PAUSE Taster.

### 6. Drücken Sie den REC Taster.

Nun leuchtet die REC Diode.

### 7. Spielen Sie ein paar Noten auf dem Baß, während Sie den Kanal-Fader von Modul 2 langsam anheben.

Im Prinzip hören Sie nun den Baß. Außerdem müßte die Pegelanzeige aufleuchten.

### 8. Stellen Sie den Fader so ein, daß die +6 Diode nur bei sehr lauten Noten kurz aufblinkt, während sich der Normalpegel ungefähr bei 0 befindet.

### 9. Um den CUE Pegel einstellen zu können, drücken Sie den PAUSE Taster, um die Aufnahme zu starten. (Diese Aufnahme dient nur zum Einpegeln und wird gleich wieder gelöscht.)

### 10. Der soeben aufgezeichnete Schlagzeugpart ist nun ebenfalls hörbar. Nötigenfalls müssen Sie die CUE Einstellung von Modul 1 und 2 ändern, damit beide Signale deutlich hörbar sind.

### 11. Drücken Sie REW, um die Cassette wieder zu 000 zurückzuspulen.

### 12. Drücken Sie den REC Taster, um die Aufnahme zu starten.

Nun leuchtet die REC Diode.

### 13. Spielen Sie den Baßpart und orientieren Sie sich dabei am Schlagzeugpart.

### 14. Sobald der Baßpart aufgenommen ist, müssen Sie den STOP Taster drücken.

### 15. Drücken Sie REW, um das Band zu 000 zurückzuspulen.

### 16. Stellen Sie den REC SEL Schalter von Modul 2 wieder auf OFF.

Nun erlischt die REC Diode.

### 17. Drücken Sie PLAY, um sich den Schlagzeug- und Baßpart anzuhören.

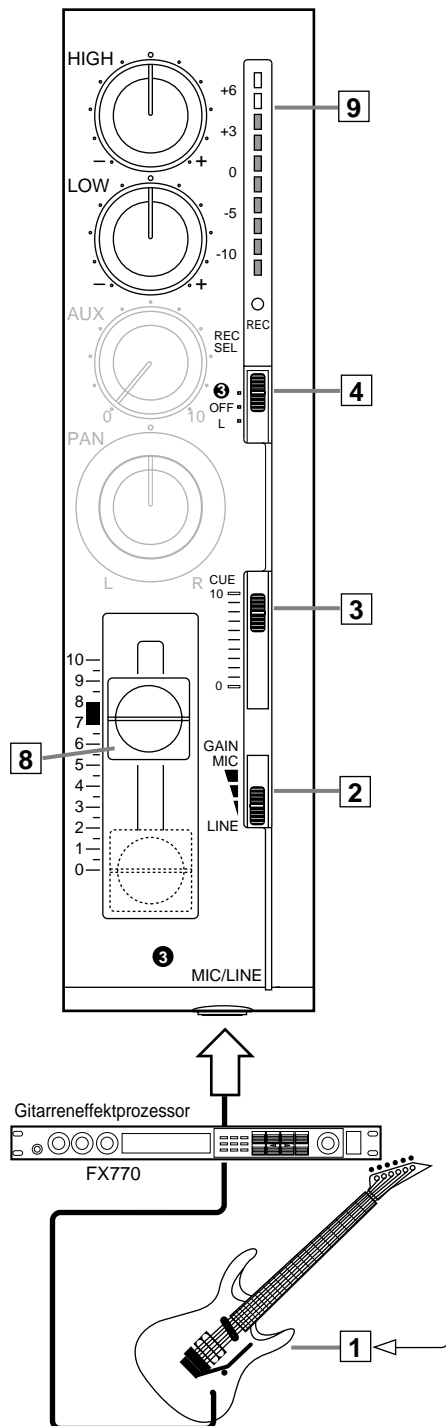
Wenn Sie möchten, können Sie nun mit "Schritt 3 — Aufnahme der Gitarre" fortfahren. Gefällt Ihnen der Baß nicht, können Sie ihn noch einmal aufnehmen.

### 18. Den Baß brauchen Sie nicht mehr, also lösen Sie am besten die Verbindung mit dem MT50.

### 19. Stellen Sie den Fader von Modul 2 wieder auf 0.

### 20. Drücken Sie REW, um das Band zu 000 zurückzuspulen.

## Schritt 3 — Aufnahme der Gitarre



### 1. Die Gitarre verbinden Sie mit MIC/LINE Eingang 3.

**Achtung:** Die Direktaufnahme von hochpegeligen Signalen wie z.B. einer E-Gitarre oder Baßgitarre kann einerseits zu Rauschen und andererseits zu Verzerrung führen.

Befolgen Sie die Hinweise unter Schritt 1, S. 12 und schalten Sie eine DI-Box oder ein Effektgerät zwischen die Gitarre und den MT50.

### 2. Stellen Sie den GAIN Schalter von Modul 3 auf LINE.

### 3. Schieben Sie den CUE Regler von Modul 3 ungefähr auf 8.

### 4. Stellen Sie den REC SEL Schalter von Modul 3 auf 3.

Die REC Diode blinkt nun.

### 5. Drücken Sie den PAUSE Taster.

Nun leuchtet die REC Diode.

### 7. Spielen Sie ein paar Noten auf der Gitarre, während Sie den Kanal-Fader von Modul 3 langsam anheben.

Im Prinzip hören Sie nun die Gitarre. Außerdem müßte die Pegelanzeige aufleuchten.

### 8. Stellen Sie den Fader so ein, daß die +6 Diode nur bei sehr lauten Noten kurz aufblinkt, während sich der Normalpegel ungefähr bei 0 befindet.

### 9. Um den CUE Pegel einstellen zu können, drücken Sie den PAUSE Taster, um die Aufnahme zu starten. (Diese Aufnahme dient nur zum Einpegeln und wird gleich wieder gelöscht.)

### 10. Der Schlagzeug- und Baßpart sind nun ebenfalls hörbar. Nötigenfalls müssen Sie die CUE Einstellung von Modul 1, 2 und 3 ändern, damit alle Signale deutlich hörbar sind.

### 11. Drücken Sie REW, um das Band zu 000 zurückzuspulen.

### 12. Drücken Sie den REC Taster, um die Aufnahme zu starten.

Nun leuchtet die REC Diode.

### 13. Spielen Sie den Gitarrenpart zu den bereits aufgezeichneten Parts (Schlagzeug und Baß).

### 14. Am Ende des Stücks drücken Sie den STOP Taster, um die Aufnahme anzuhalten.

### 15. Drücken Sie REW, um das Band zu 000 zurückzuspulen.

### 16. Stellen Sie den REC SEL Schalter von Modul 3 wieder auf OFF.

Nun erlischt die REC Diode.

### 17. Drücken Sie PLAY, um sich das Schlagzeug, den Baß und die Gitarre anzuhören.

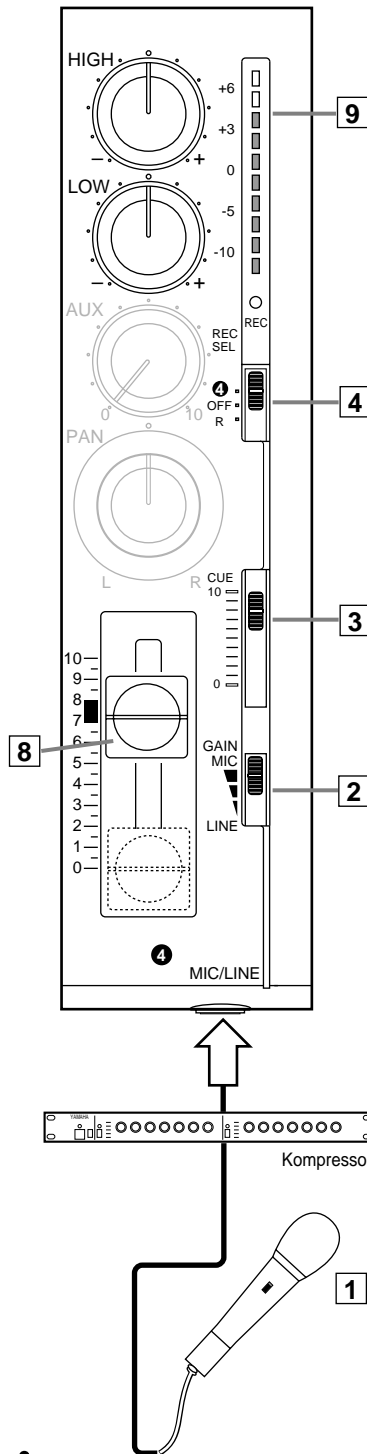
Wenn Sie möchten, können Sie nun mit "Schritt 4 — Aufnahme des Gesangs" fortfahren. Gefällt Ihnen die Gitarre nicht, können Sie sie noch einmal aufnehmen.

### 18. Lösen Sie den Anschluß der Gitarre an den MT50.

### 19. Stellen Sie den Fader von Modul 3 wieder auf 0.

### 20. Drücken Sie REW, um das Band zu 000 zurückzuspulen.

## Schritt 4 — Aufnahme des Gesangs

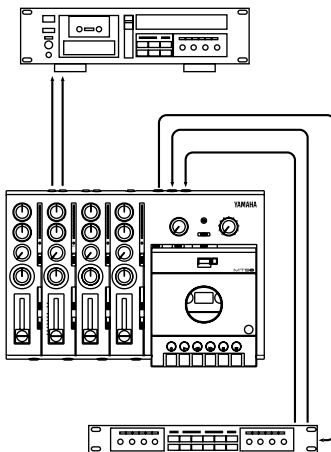
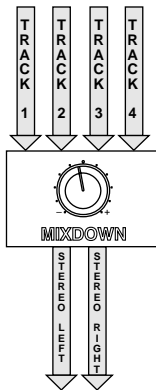


1. Schließen Sie das Mikrofon an MIC/LINE Eingang 4 an.
2. Stellen Sie den GAIN Schalter von Modul 4 auf MIC.
3. Schieben Sie den CUE Regler von Modul 4 ungefähr auf 8.
4. Stellen Sie den REC SEL Schalter von Modul 4 auf 4.  
Die REC Diode blinkt nun.
5. Drücken Sie den PAUSE Taster.
6. Drücken Sie den REC Taster.  
Nun leuchtet die REC Diode.
7. Singen Sie ein paar Noten, während Sie den Kanal-Fader von Modul 4 langsam anheben.  
Im Prinzip hören Sie nun die Stimme. Außerdem müßte die Pegelanzeige aufleuchten.
8. Stellen Sie den Fader so ein, daß die +6 Diode nur bei sehr lauten Noten kurz aufblinkt, während sich der Normalpegel ungefähr bei 0 befindet.
9. Um den CUE Pegel einstellen zu können, drücken Sie den PAUSE Taster, um die Aufnahme zu starten. (Diese Aufnahme dient nur zum Einpegeln und wird gleich wieder gelöscht.)
10. Der Schlagzeug-, Baß und Gitarrenpart sind nun ebenfalls hörbar. Nötigenfalls müssen Sie die CUE Einstellung von Modul 1, 2, 3 und 4 ändern, damit alle Signale deutlich hörbar sind.
11. Drücken Sie REW, um das Band zu 000 zurückzuspulen.
12. Drücken Sie den REC Taster, um die Aufnahme zu starten.  
Nun leuchtet die REC Diode.
13. Singen Sie nun zu den bereits aufgezeichneten Parts.
14. Wenn Sie fertig sind, drücken Sie auf STOP, um die Aufnahme anzuhalten.
15. Drücken Sie REW, um das Band zu 000 zurückzuspulen.
16. Nun können Sie den REC SEL Schalter von Modul 4 wieder auf OFF stellen.  
Nun erlischt die REC Diode.
17. Drücken Sie PLAY, um sich das Schlagzeug, den Baß, die Gitarre sowie den Gesang anzuhören.  
Wenn Sie möchten, können Sie nun sofort mit "Schritt 5 — Abmischen" fortfahren. Gefällt Ihnen der Gesang noch nicht, nehmen Sie ihn einfach noch einmal auf.  
At this point, we are finished recording.
18. Lösen Sie den Anschluß des Mikrofons.
19. Stellen Sie den Fader von Modul 4 wieder auf 0.
20. Drücken Sie REW, um das Band zu 000 zurückzuspulen.

! Für die Gesangsaufnahme verwenden Sie am besten einen Kompressor

! Meiden Sie Rückkopplungen. Stellen Sie das Mikrofon nicht zu nah an die Lautsprecher.

## Schritt 5 — Abmischen



Unter *Abmischen* versteht der Fachmann die Zusammenfügung aller aufgezeichneten Parts zu einem einzigen. Das abgemischte Signal wird in der Regel auf eine Stereo-Cassette oder eine DAT Cassette aufgenommen und heißt dann *Master*. Das Abmischen ist insofern wichtig als Sie die Klangfarbe, den Effektanteil, die Stereoposition und die Lautstärke aller Signale optimal einstellen können.

### Vorbereitung

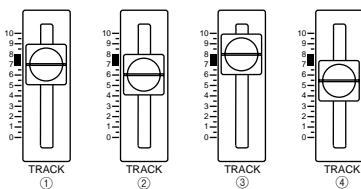
1. Verbinden Sie die STEREO OUT Buchsen des MT50 mit den Stereo-Eingängen der Master-Maschine.
2. Stellen Sie auf der Master-Maschine den geeigneten Eingangspegel ein.
3. Am besten verbinden Sie die Ausgänge der Master-Maschine mit einem Stereo-Verstärker, damit Sie beim Abmischen auch hören, was Sache ist (sonst hat die Abmischung nämlich wenig Sinn).

Zwar könnten Sie zum Abmischen auch einen Kopfhörer oder Aktivlautsprecher verwenden, aber am besten entscheiden Sie sich für eine Abhöranlage (Verstärker und Lautsprecher) mit neutralem Klangverhalten – weder die Höhen noch die Tiefen dürfen also schmeichelhaft eingestellt sein.

4. Wenn Sie auch ein Effektgerät verwenden möchten (z.B. ein REV100 oder FX770 von Yamaha), müssen Sie dessen Eingang mit AUX SEND und dessen Ausgänge mit den AUX RETURN Buchsen verbinden.
5. Stellen Sie den MONITOR SELECT Schalter auf STEREO.
6. Schauen Sie noch einmal nach, ob auch wirklich nichts mehr an die Eingänge angeschlossen ist.
7. Stellen Sie den dbx sowie die ZERO STOP Funktion nach eigenem Gutdünken ein. Wenn Sie soeben die vorigen Schritte absolviert haben, sind beide bereits richtig eingestellt.

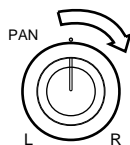
### Balance

Bevor Sie die Abmischung mit der Master-Maschine aufnehmen, raten wir Ihnen, die einzelnen Handlungsabläufe mehrmals zu proben. Erst wenn alles reibungslos klappt, können Sie das Endergebnis aufnehmen.



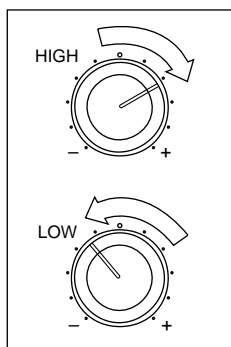
1. Stellen Sie alle Fader ungefähr auf 7.
2. Drücken Sie PLAY, um die Wiedergabe zu starten.
3. Mit den Fadern können Sie nun die gewünschte Balance der einzelnen Signale herstellen: Nichts darf zu laut sein, aber alles muß hörbar bleiben.
4. Stellen Sie den MONITOR/PHONES Regler so ein, daß Sie die Abmischung mühelos hören können (oder daß das Ganze schön "brät").

## Stereoposition (Panorama)



Mit dem PAN Regler kann man die Signale im Stereoschallbild aufteilen (d.h. ein Signal etwas weiter links anordnen, während sich ein anderes eher rechts befindet). Hierfür gibt es jedoch keine Regeln, so daß wir die Stereo-Verteilung Ihrem Geschmack überlassen. Probieren Sie verschiedene Einstellungen aus. So manche Beatles-Scheibe ist gerade deshalb so interessant, weil sich der Gesang zum Beispiel hart rechts befindet, während das Schlagzeug, der Baß und die Gitarre nur über den linken Kanal kommen.

1. Wenn sich ein Signal links befinden soll, müssen Sie den PAN Regler nach links drehen. Andernfalls drehen Sie ihn nach rechts.



## Entzerrung (EQ)

Mit der Zweibandentzerrung des MT50 können Sie die Höhen und Tiefen der Signale anheben oder abschwächen. Achten Sie jedoch darauf, daß alle gewünschten hohen Frequenzen (z.B. der HiHat) gut hörbar sind. Die Tiefen der "schweren" Instrumente (z.B. der Baßgitarre) dürfen kein Übergewicht haben.

1. Mit den HIGH Reglern können Sie die Höhen anheben bzw. absenken.
2. Mit den LOW Reglern können Sie die Tiefen anheben bzw. absenken.

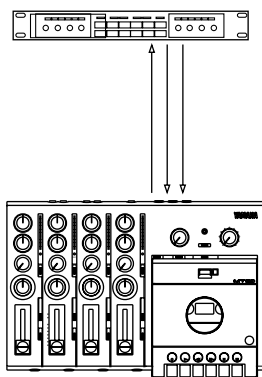
## Einsatz von Effekten

Wenn Sie über ein Effektgerät (REV100 oder FX770 von Yamaha) verfügen, sollten Sie es ebenfalls an den MT50 anschließen, um bestimmte Signale z.B. verhallen zu können.

1. Verbinden Sie die AUX SEND Buchse mit dem Eingang des Effektgeräts.
2. Die AUX RETURN Buchsen des MT50 müssen an die Ausgänge des Effektgeräts angeschlossen werden.

Handelt es sich dabei um ein Stereo-Effektgerät, können Sie sowohl die L(MONO) als auch die R AUX RETURN Buchse verwenden. Andernfalls müssen Sie den Ausgang des Effektgeräts mit der L(MONO) Buchse verbinden.

3. Heben Sie den AUX Pegel eines Kanals an, damit das Effektgerät ein Signal empfängt.
4. Heben Sie nun den Pegel des AUX RETURN Reglers an, damit das bearbeitete Signal wieder an den MT50 angelegt wird.



## Aufzeichnen der Abmischung

Wenn Ihnen Ihre Abmischung gefällt, können Sie sie mit der Master-maschine aufnehmen.

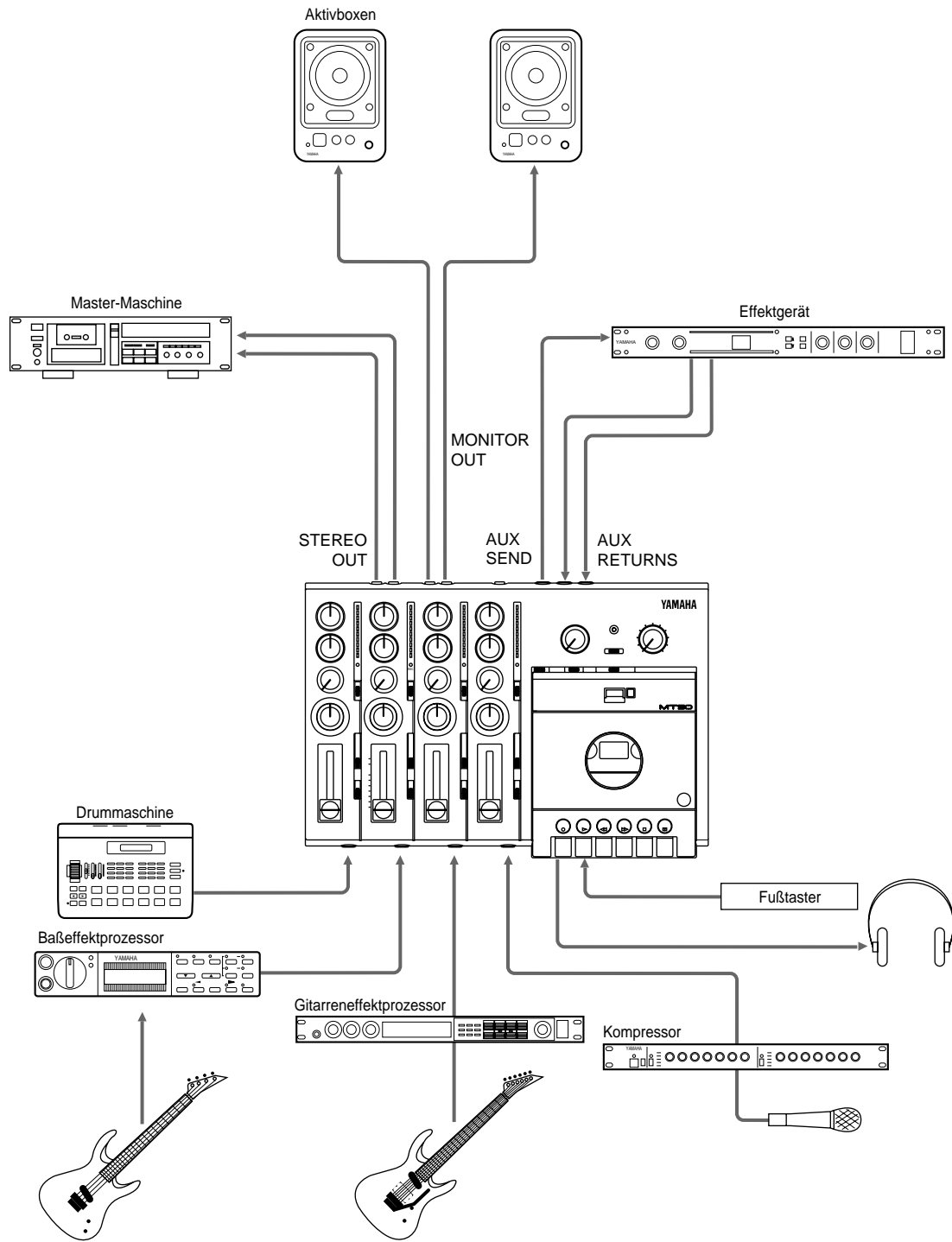
1. **Machen Sie die Master-Maschine aufnahmebereit.**
2. **Starten Sie die Wiedergabe auf dem MT50 und stellen Sie den Eingangspiegel der Master-Maschine ein.**
3. **Halten Sie den MT50 an und spulen Sie das Band zurück zu 999.**
4. **Starten Sie die Aufnahme der Master-Maschine.**
5. **Drücken Sie den PLAY Taster des MT50, um die Wiedergabe zu starten.**

Die Stereo-Abmischung wird nun aufgenommen.

6. **Am Ende des Stücks halten Sie den MT50 und die Master-Maschine an.**
7. **Spulen Sie den Master zurück und lauschen Sie Ihrem Meisterwerk.**

! *Um ganz sicherzugehen, daß die Mehrspurcassette nicht aus Versehen gelöscht wird, brechen Sie am besten die beiden Laschen aus der Rückseite.*

# Anschlußbeispiel



# 4

## Aufnahmen für Fortgeschrittene

---

In diesem Kapitel zeigen wir Ihnen ein paar Aufnahmetechniken, die Sie auf Ihrem MT50 anwenden können. Der MT50 ist nämlich so flexibel, daß auch relativ komplizierte Aufnahmeverfahren schnell und problemlos einsetzen können. Schließlich handelt es sich hier um ein sehr kompaktes Gerät, mit dem manche Dinge eben viel einfacher sind.

### Direktaufnahme

Im Grunde ist dies der Ahne aller Aufnahmeverfahren, weil hier alle Instrumente gleichzeitig aufgezeichnet werden. Auch in diesem Fall ist es jedoch ratsam, die Abmischung später durchzuführen und sich die Effekte bis zu dem Zeitpunkt aufzuheben. Direktaufnahmen sind zum Beispiel für Live-Mitschnitte geeignet. Man kann jedes Instrument auf eine separate Spur aufnehmen.

Andererseits ließen sich auch mehrere Instrumente auf zwei Spuren aufzeichnen, so daß Sie hinterher im vertrauten Heim noch zwei weitere Parts hinzufügen können. Ein weiterer Einsatzbereich der Direktaufnahme ist die Aufzeichnung eines Schlagzeugs, bei der z.B. die Bass- und Snaredrum auf separate Spuren aufgenommen werden. Bevor dann die weiteren Instrumente hinzugefügt werden, muß man das Schlagzeug natürlich erst einmal abmischen und zu einer anderen Spur des MT50 kopieren. Das wäre dann eine Ping-Pong Aufnahme (siehe unten). Schließlich ist die Direktaufnahme empfehlenswert für Stereo-Effekte oder -Klänge, für die man dann allerdings zwei Spuren reservieren muß.

### Ping-Pong Aufnahme

Das Wort *Ping-Pong* erinnert Sie natürlich an ein Spiel, daß in unseren Ländern *Tischtennis* heißt. Der Clou dieses Spiels ist, daß ein kleiner weißer Ball hin- und herspringt – und genau das kann man auch mit Aufnahmen tun. Während beim normalen Überspielen nur jeweils vier Spuren zur Verfügung stehen, kann man mit dem Ping-Pong verfahren zuerst drei Spuren bespielen, die dann abmischen und auf die noch freie vierte Spur aufnehmen, anschließend wieder zwei einspielen und die mit den Parts der vierten Spur abmischen und zu wieder einer anderen Spur kopieren. Mithin ließen sich mühelos zehn Parts auf vier Spuren unterbringen. Tüftler können unter Umständen sogar versucht sein noch weiterzugehen, allerdings läßt die Qualität der Endabmischung dann sehr schnell zu wünschen übrig. Ein Magnetband verschleißt nämlich relativ schnell, so daß der Musik irgendwann die Höhen und der Druck ausgehen. (Das hat also nichts mit dem MT50 zu tun, sondern liegt einzig und allein an dem Medium.)

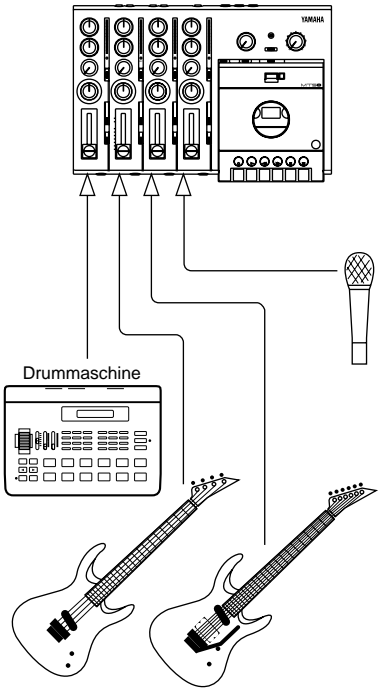


## Ein- und Aussteigen

Diese Technik wird sehr oft zum Ausbessern bestimmter Passagen verwendet. Oftmals ist ein Part nämlich durchaus brauchbar – bis auf das eine Fis, das eigentlich ein F hätte sein sollen. Wenn der Rest aber musikalisch stimmig ist und auch von der Interpretation her hinlänglich, wäre es schade, den ganzen Part noch einmal aufzunehmen. Deshalb wird nur die etwas mißglückte Passage gelöscht und durch einen Null-Fehler-Durchlauf ersetzt. Auf dem MT50 können Sie sogar einen Fußtaster zum Ein- und Aussteigen verwenden, so daß Sie im brenzlichen Moment beide Hände frei haben. Dank dieses Verfahrens können Sie eine Passage so oft wiederholen, bis wirklich alles stimmt!

## Synchronisieren

Wenn Sie ein Synchronisationssignal (z.B. FSK) auf Spur 4 aufzeichnen, kann der MT50 zum Synchronisieren eines Sequenzers oder einer Drummaschine verwendet werden. Das hat den Vorteil, daß Sie MIDIfähige Geräte gar nicht auf Band aufzunehmen brauchen. Je nach dem verwendeten Synchronisationssignal können Sie sogar an jeder beliebigen Stelle starten und anhalten und dann wieder fortfahren. Wenn Sie FSK vorziehen, verwenden Sie am besten ein YMC10 von Yamaha. Dieses Gerät wandelt MIDI-Zeitcodesignale nämlich in ein Audiosignal und umgekehrt um.



## Direktaufnahme

Im Gegensatz zu anderen vergleichbaren Geräten kann man beim MT50 auf alle vier Spuren gleichzeitig aufnehmen. Wie oben bereits erwähnt, ist dieses Verfahren sinnvoll für Live-Mitschnitte, bei denen bestimmte Instrumente jeweils auf separate Spuren wandern. Bei der Abmischung können dann alle Spuren separat entzerrt und verhallt werden.

1. **Schließen Sie alle benötigten Instrumente an die MIC/LINE Eingänge der Module 1~4 an.**
2. **Stellen Sie für jeden Kanal den optimalen GAIN Wert ein.**
3. **Stellen Sie den CUE Regler aller Module auf ungefähr 8.**
4. **Die REC SEL Schalter der Module müssen jeweils auf den Zahlenwert (1, 2, 3 oder 4) gestellt werden.**

Die REC Diode der vier Eingangsmodule leuchtet nun.

5. **Drücken Sie den PAUSE Taster.**
6. **Drücken Sie den REC Taster.**
- Die REC Dioden fangen an zu blinken.
7. **Lassen Sie die Musiker ein wenig spielen.**
8. **Schieben Sie die Kanal-Fader allmählich höher.**

Im Prinzip hören Sie nun alle Instrumente, die aufgenommen werden müssen. Außerdem bewegen sich die Pegel-LED-Ketten.

9. **Stellen Sie den Fader aller Module so ein, daß die +6 Diode nur bei sehr lauten Noten kurz aufblinkt, während sich der Normalpegel ungefähr bei 0 befindet.**

Mit dem Fader der Module bestimmen Sie den Aufnahmepegel. Tun Sie das jedoch immer, während Sie die Pegelanzeige dieses Moduls im Auge behalten. Mit dem CUE und MONITOR/PHONES Regler können Sie hingegen den Abhörpegel einstellen. Dort bleibt es Ihnen überlassen, wie laut Sie gehen möchten. Der Aufnahmepegel sollte jedoch immer so hoch wie möglich sein.

10. **Drücken Sie den PAUSE Taster, sobald alles richtig eingestellt ist.**
11. **Geben Sie den Musikern Zeichen, damit sie anfangen.**
12. **Am Ende des Stücks drücken Sie den STOP Taster, um die Aufnahme anzuhalten.**
13. **Drücken Sie REW, um die Cassette zurückzuspulen.**
14. **Mischen Sie die Aufnahme ab(siehe Seite 15).**

Nun können Sie jeden Kanal getrennt mit Effekten versehen, entzerren usw. Auch das Panorama der vier Kanäle kann natürlich eingestellt werden. Kurz und gut: mit dem MT50 lassen sich durchaus professionelle Aufnahmen erstellen.

## Weitere Möglichkeiten der Direktaufnahme

Was geschieht, wenn man eine Stereo-Signalquelle aufzeichnen möchte? Bei vier Spuren ist man da schnell am Ende seines Lateins.

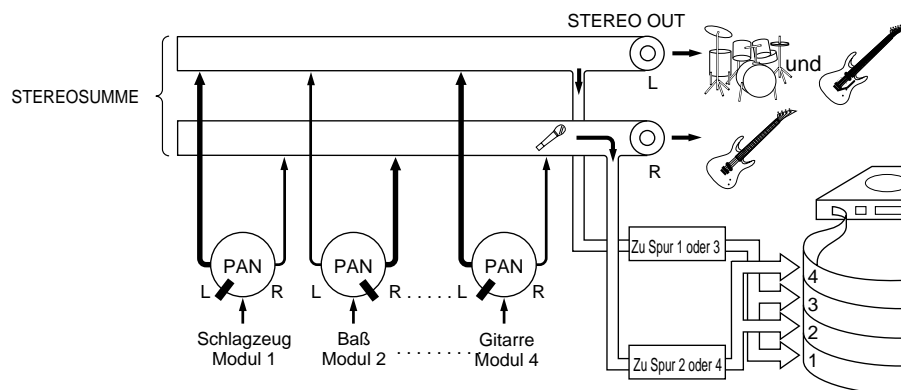
Ein weiteres Problem ist, daß beim Ping-Pong Verfahren unter Verwendung nur einer Zielspur alle Panoramaeffekte verlorengehen. Das wäre z.B. der Fall bei einer Drummaschine, die auf nur eine Spur aufgenommen wird.

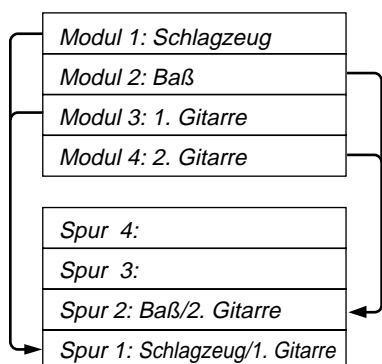
Zum Glück gibt es auch hier ein paar Tricks, mit denen man diese Probleme geschickt umgeht, so daß die Stereoinformationen also erhalten bleiben. Selbst Ping-Pong unter Beibehaltung der Stereo-Einteilung ist auf dem MT50 ohne weiteres möglich.

So langsam wird es kompliziert, aber eigentlich ist es ein Kinderspiel, da man dafür nur zwei Bedienelemente braucht: die REC SEL Schalter und die PAN Regler. Zum Beispiel:

- Sie könnten zum Beispiel vier Instrumente gleichzeitig aufnehmen, aber dafür nur zwei Spuren verwenden.
- Die meisten Drummaschinen und Synthesizer sind mit Stereo-Ausgängen ausgestattet. Vielleicht haben Sie sich eines Abends besonders Mühe gegeben und einen Schlagzeugpart so programmiert, daß alle Instrumenten fein säuberlich im Stereoschallbild verteilt sind (Bassdrum, Snare, Toms usw.). Gerade dadurch wird ein Schlagzeugpart nämlich lebendig. Mit dieser Technik ist es also möglich, die Stereovertelung beizubehalten ohne gleich alle vier Spuren zu belegen.
- Vielleicht brauchen Sie eine Stereo-Gitarre, die man mit einem Chorus-Effekt oder zwei Gitarrenverstärkern sehr leicht erzielt. Wenn Sie diese beiden Signale (die von der Klangfarbe her unterschiedlich sind) auf zwei Spuren aufnehmen, verfügen Sie bei der Abmischung über eine Stereo-Gitarre, was vor allem bei Soli sehr wichtig ist. Wenn Sie beide Signale auf eine Spur aufzeichnen würden, bliebe kaum noch etwas von dem ursprünglich beabsichtigten Effekt erhalten. Bei Verwendung zweier Spuren allerdings ist das kein Problem.

In nachstehender Abbildung erfahren Sie, wie das Signal der PAN Regler an die Stereosumme (die beiden "Rohre" vertreten den linken und rechten Kanal der Stereosumme) und die STEREO OUT Buchsen angelegt wird. Mithin fungieren die PAN Regler als "Weichen" des betreffenden Kanalsignals für die Stereosumme. Auf den folgenden Seiten zeigen wir Ihnen, wie man vier Instrumente auf zwei Spuren aufnehmen und dabei das Stereobild der aufgezeichneten Signale wahren kann. Wie Sie aus der Abbildung entnehmen können, wird der linke Kanal jeweils auf Spur 1 und 3 aufgezeichnet, während der rechte Kanal auf Spur 2 und 4 aufgezeichnet werden kann.





! In diesem Beispiel wird alles entweder dem linken oder dem rechten Kanal zugeordnet. Sie könnten jedoch auch eine andere Stereo-Verteilung verwenden. Leicht links und rechts eignen sich z.B. zum Erstellen eines interessanten Stereo-Effekts.

## Vier Instrumente gleichzeitig auf zwei Spuren aufnehmen

Sagen wir, Sie möchten den Baß, die Rhythmusgitarre, die Sologitarre und das Schlagzeug gleichzeitig aufnehmen, brauchen aber noch zwei Spuren für andere Parts.

1. Schließen Sie das Mikrofon des Schlagzeugs an den MIC/LINE Eingang von Modul 1, den Baß an Modul 2, die Rhythmusgitarre an Modul 3 und die Sologitarre an Modul 4 an.
2. Stellen Sie die GAIN Schalter, die MONITOR Regler und Fader gemäß den Erläuterungen in Kapitel 3, "Aufnahme-ABC" ein
3. Stellen Sie den REC SEL Schalter der vier Module folgendermaßen ein:

Stellen Sie den REC SEL Schalter von Modul 1 auf "L."

Stellen Sie den REC SEL Schalter von Modul 2 auf "R."

Stellen Sie den REC SEL Schalter von Modul 3 auf "OFF."

Stellen Sie den REC SEL Schalter von Modul 4 auf "OFF."

Hier nehmen wir nichts auf Spur 3 und 4 auf. Spur 1 bekommt in diesem Fall den linken Kanal zugeordnet, während wir auf Spur 2 den rechten Stereo-Kanal aufnehmen.

4. Stellen Sie den PAN Regler der einzelnen Module folgendermaßen ein:

Stellen Sie den PAN Regler von Modul 1 auf "L."

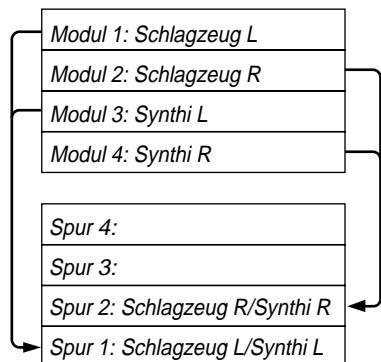
Stellen Sie den PAN Regler von Modul 2 auf "R."

Stellen Sie den PAN Regler von Modul 3 auf "L."

Stellen Sie den PAN Regler von Modul 4 auf "R."

5. Drücken Sie den REC Taster und geben Sie den Musikern ein Zeichen!

Die Instrumente, die Sie an die Eingänge 1 und 3 angeschlossen haben, werden gemeinsam auf Spur 1 aufgenommen. Die Instrumente, die Sie hingegen an die Eingänge 2 und 4 angeschlossen haben, wandern auf Spur 2. Somit bleiben Ihnen noch Spur 3 und 4 für weitere Aufnahmen.



! Wenn Sie gerne noch ein drittes Stereo-Instrument aufnehmen, können Sie dessen Ausgänge mit den AUX RETURN Buchsen verbinden.

## Beibehaltung der Stereoverteilung zweier Instrumente

1. Verbinden Sie ein Stereo-Instrument mit dem MIC/LINE Eingang der Module 1 und 2 (schließen Sie den linken Ausgang an Modul 1 und den rechten Ausgang an Modul 2 an).
2. Verbinden Sie das andere Stereo-Instrument mit dem MIC/LINE Eingang der Module 3 und 4 (schließen Sie den linken Ausgang an Modul 3 und den rechten Ausgang an Modul 4 an).
3. Stellen Sie den GAIN Schalter, den Monitor-Regler und den Fader aller Module nach eigenem Gutdünken ein. Siehe Kapitel 3: "Aufnahme-ABC".
4. Stellen Sie den REC SEL Schalter der einzelnen Module folgendermaßen ein:

Stellen Sie den REC SEL Schalter von Modul 1 auf "L."  
 Stellen Sie den REC SEL Schalter von Modul 2 auf "R."  
 Stellen Sie den REC SEL Schalter von Modul 3 auf "OFF."  
 Stellen Sie den REC SEL Schalter von Modul 4 auf "OFF."

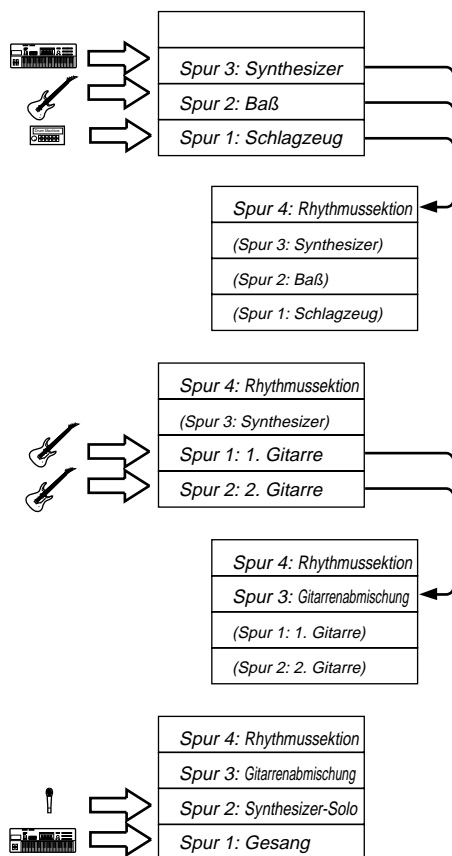
5. Die PAN Regler der einzelnen Module müssen folgendermaßen eingestellt werden:

Stellen Sie den PAN Regler von Modul 1 auf "L."  
 Stellen Sie den PAN Regler von Modul 2 auf "R."  
 Stellen Sie den PAN Regler von Modul 3 auf "L."  
 Stellen Sie den PAN Regler von Modul 4 auf "R."

6. Drücken Sie den REC Taster und spielen Sie auf beiden Stereo-Instrumenten.

Der linke Kanal der beiden Stereo-Instrumente wird jeweils auf Spur 1 aufgenommen, während der rechte Kanal der beiden Instrumente auf Spur 2 aufgenommen wird. Spur 3 und 4 sind also noch frei für andere Parts.

! In diesem Beispiel beschränken wir uns auf das Zusammenlegen der Spuren 1~3 auf Spur 4. Sie könnten das Verfahren allerdings noch fortsetzen und die bereits abgemischte Spur mit dem Signal zweier neuer Spuren zusammenlegen usw. Mit einem bißchen Fantasie stehen Ihnen also viel mehr "Spuren" zur Verfügung als der MT50 eigentlich hat.



! Bitte bedenken Sie, daß man einmal im Ping-Pong Verfahren zusammengelegte Spuren nicht mehr separat mit Effekten versehen kann. Auch die Balance läßt sich nicht mehr ändern. Alle notwendigen Einstellungen müssen also jetzt erfolgen.

## Ping-Pong Aufnahme

Wie bereits an anderer Stelle erwähnt, bedeutet Ping-Pong, daß das Signal bereits aufgezeichneter Spuren eventuell sogar gemeinsam mit neuen Signalen zu anderen Spuren kopiert wird. Dieses Verfahren erlaubt Ihnen demnach, Aufnahmen mit mehr als vier Spuren zu erstellen.

In diesem Kapitel zeigen wir Ihnen zwei Beispiele: Im ersten mischen wir Spur 1, 2 und 3 ab und kopieren die Abmischung zu Spur 4. Im zweiten Beispiel fügen wir noch einen weiteren Part zu den abgemischten Signalen.

Mithin sind Spur 1~3 hinterher wieder verfügbar für weitere Parts (Soli, Gesang usw.).

### Beispiel 1

#### 1. Zeichnen Sie zuerst die benötigten Signale auf Spur 1~3 auf.

Sie könnten zum Beispiel mit dem Schlagzeug, dem Baß und einem Synthesizer beginnen (selbstverständlich können Sie auch andere Instrumente aufnehmen). Weitere Einzelheiten entnehmen Sie bitte dem Kapitel 3: "Aufnahme-ABC". Vergessen Sie die ZERO STOP Funktion nicht!

#### 2. Spulen Sie die Cassette zurück zum Beginn des Stücks.

#### 3. Lösen Sie die Verbindung aller soeben aufgenommenen Instrumente mit den Modulen 1~3.

#### 4. Stellen Sie den MONITOR SELECT Schalter auf CUE.

#### 5. Stellen Sie den MONITOR/PHONES Regler ungefähr in die Mitte.

Später können Sie den Abhörpegel immer noch ändern, wenn er zu hoch oder zu niedrig ist.

#### 6. Drehen Sie den PAN Regler der Spuren 1~3 ganz nach rechts (R).

Das bedeutet, daß das Signal dieser drei Spuren nun der rechten Summe zugeordnet ist.

#### 7. Stellen Sie den REC SEL Schalter von Modul 1, 2 und 3 auf OFF.

Sicher ist sicher. Schließlich würde sonst eine der noch benötigten Spuren gelöscht...

#### 8. Stellen Sie den REC SEL Schalter von Modul 4 auf R.

Die REC Diode von Modul 4 blinkt nun.

Was Sie gerade eingestellt haben, bedeutet, daß Spur 4 nun das Signal von Spur 1, 2 und 3 aufzeichnet.

#### 9. Stellen Sie die Fader der Module 1~3 ungefähr auf 7.

#### 10. Stellen Sie den CUE Regler von Modul 4 ungefähr auf 7.

#### 11. Drücken Sie den REC Taster, um eine provisorische Aufnahme zu starten.

#### 12. Stellen Sie den Aufnahmepegel von Spur 4 ein und regeln Sie gleichzeitig die Balance der Spuren 1~3.

Die Fader der Module 1~3 müssen so eingestellt werden, daß die +6 Diode von Modul 4 nur bei Signalspitzen aufleuchtet.

#### 13. Sobald Sie die Idealposition der Fader 1~3 ermittelt haben, müssen Sie das gesamte Verfahren wiederholen, um die Spuren zusammenzulegen.

Obwohl Sie dieses Verfahren theoretisch mehrmals wiederholen können, sollten Sie immer soviel wie möglich zusammenlegen, da die Signalqualität nach zwei oder drei Ping-Pong Aufnahmen bereits merklich nachläßt. Außerdem müssen Sie nun bereits eine deutliche Vorstellung des Endergebnisses haben!

Wenn Sie möchten, können Sie noch ein Instrument an Modul 4 anschließen, dessen Signal dann gleichzeitig mit dem der Spuren 1~3 aufgenommen wird.

Hierfür ist das Verfahren in etwa dasselbe wie im ersten Beispiel:

### **Beispiel 2**

**3'. Verbinden Sie ein Instrument mit Modul 4.**

**6'. Drehen Sie den PAN Regler von Modul 4 ganz nach rechts (R).**

**12'. Stellen Sie die Fader der Module 1~4 so ein, daß die Balance der drei Instrumente Ihren Vorstellungen entspricht und daß die +6 Diode von Modul 4 nur bei Signalspitzen aufleuchtet.**

***Achtung:** Meiden Sie, wo immer es geht, Kopien auf eine Nachbarspur (z.B. von Spur 2 auf Spur 1 oder Spur 3. Sonst könnte es nämlich zu Rückkopplung kommen, die durch eine ungewollte "Signaldopplung" hervorgerufen wird.*

Läßt sich das aber nicht vermeiden, so raten wir Ihnen, den Aufnahmepegel sehr vorsichtig einzustellen und die Höhen so wenig wie möglich anzuheben.

Wenn Sie den dbx einschalten, läßt sich die Rückkopplung in der Regel vermeiden.

! Stellen Sie die Fader aller Spuren, die nicht mit kopiert werden dürfen, unbedingt auf 0!

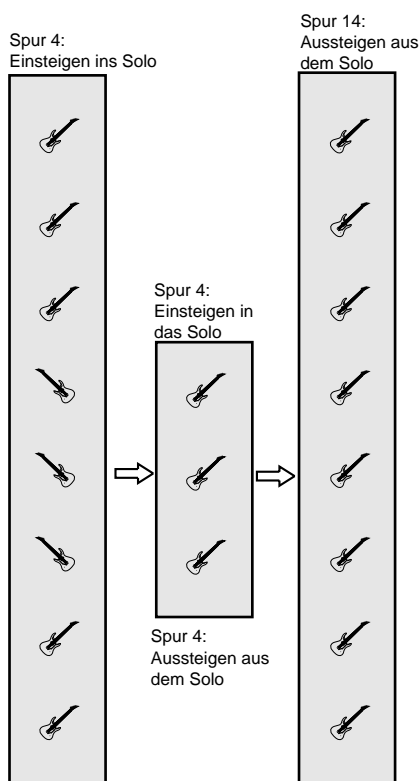
## Ein- und aussteigen

Diese Aufnahmeverfahren wird in der Regel zum Nachbessern einer an sich geglückten Aufnahme verwendet. Hier werden nur bestimmte Phrasen noch einmal aufgenommen.

Sagen wir zum Beispiel, Sie haben gerade ein eindruckvolles Gitarrensolo hingelegt, aber in Takt 4 eine falsche Note gespielt. Nehmen wir an, das Solo befindet sich auf Spur 4, während die Spuren 1~3 andere Parts enthalten.

Mit diesem verfahren könnten Sie nun Takt 4 noch einmal aufnehmen. Wenn Sie auch genauso gekonnt wieder aussteigen, hört kein Mensch, daß das Solo nicht in einem Durchgang eingespielt wurde!

Am besten verwenden Sie zum Ein- und Aussteigen einen Fußtaster, zum Beispiel einen FC5 von Yamaha. Sie brauchen aber nicht unbedingt einen Fußtaster zu verwenden. Weiter unten zeigen wir Ihnen, wie man ohne Fußtaster ein- und aussteigt. Das ist aber weitaus riskanter und ungenauer...



! Fangen Sie schon ein paar Noten vor Takt 4 an zu spielen, damit der Übergang hinterher reibungslos vonstatten geht. Aus demselben Grund sollten Sie auch die nachfolgenden Noten noch mitspielen.

! Am besten üben Sie das Ein- und Aussteigen in Takt 4 erst ein paar Mal. Achten Sie dabei besonders auf das Timing der Korrektur, damit kein Sterblicher den Unterschied hört.

Am besten verwenden Sie einen FC5 Fußtaster von Yamaha. Bitte beachten Sie, daß ein Fußtaster einer anderen Marke nicht unbedingt wie ein FC5 funktioniert und daher zu Problemen führen kann.

### Per Fuß ein- und aussteigen

1. Verbinden Sie den Fußtaster mit der PUNCH I/O Buchse.
2. Stellen Sie den REC SEL Schalter der Module 1~3 auf OFF.
3. Stellen Sie den REC SEL Schalter von Modul 4 auf "4."  
Die REC Diode von Spur 4 blinkt nun.
4. Stellen Sie den MONITOR SELECT Schalter auf MIX.
5. Kontrollieren Sie, ob sich der MONITOR/PHONES noch immer in derselben Position befindet wie während der Aufnahme.
6. Auch der Fader von Modul muß sich exakt in derselben Position befinden, damit es nicht plötzlich zu Signalsprüngen kommt.  
Wenn die Lautstärke der Korrektur nicht die gleiche ist wie die der Originalaufnahme, hört man sehr deutlich, daß "da etwas nicht stimmt". Kleine Unterschiede können selbstverständlich beim Abmischen ausgegügelt werden.
7. Drücken Sie den PLAY Taster, um die Wiedergabe des Stücks zu starten (den "Anlauf" zur korrekturbedürftigen Stelle).
8. Am besten spielen Sie jetzt schon mit, damit Sie wieder in Fahrt kommen und in Takt 4 Ihr bestes geben können.  
Wenn Sie mit dem Fuß den Takt schlagen, kommen Sie garantiert nicht zu spät!
9. Am Anfang von Takt 4, betätigen Sie den Fußtaster, damit Spur 4 in den Aufnahmebetrieb geschaltet wird. Vergessen Sie dabei aber das Solo nicht. Die REC Diode von Modul 4 leuchtet nun.  
Hier ist wirklich Millimeterarbeit gefragt. Betätigen Sie den Fußtaster niemals zu früh, damit Sie nicht aus Versehen Noten löschen, die Sie eigentlich behalten wollten.
10. Am Ende von Takt 4 müssen Sie den Fußtaster noch einmal betätigen, um die Aufnahme auf Spur 4 zu beenden. Die Cassette läuft allerdings weiter.

Auch hier müssen Sie im richtigen Moment "schalten", damit die nachfolgenden Noten nicht gelöscht werden.



### Ohne Fußtaster ein- und aussteigen

Im Prinzip ist das Verfahren das gleiche. Allerdings müssen Sie hier von Hand auf Aufnahme und Wiedergabe schalten, damit weder zu wenig noch zuviel gelöscht wird.

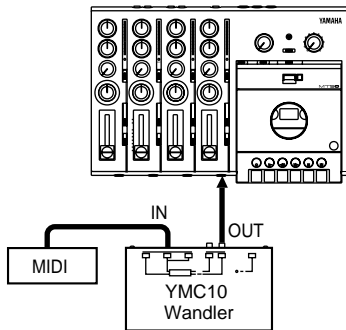
- 1'. (Sie brauchen nichts anzuschließen).
- 9'. Stellen Sie den REC SEL Schalter von Modul bei gedrückter PLAY Taste am Beginn des 4. Taktes auf "4" und spielen Sie mit (viel Glück!).
- 10'. Am Ende des 4. Takts müssen Sie den REC SEL Schalter von Modul 4 wieder auf OFF stellen oder den STOP Taster drücken.

### Verwendung einer Spurübersicht

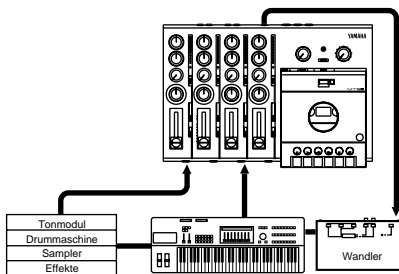
In nachstehender Abbildung zeigen wir Ihnen, wie man eine Spurübersicht (Track Sheet) ausfüllt Dort können Sie eintragen, welches Instrument auf welche Spur aufgenommen wurde und außerdem die Einstellung des PAN Reglers notieren. Im Anhang finden Sie mehrere Spurübersichten, die Sie fotokopieren können. Das Eintragen dauert in der Regel nur wenige Sekunden. Deshalb sollten Sie es immer tun, weil Ihnen das später noch so manchen Dienst erweisen kann.

A	Track	Instrument	Other Info	High	Low	Aux	Pan	Fader	Start	Stop	To Track
	1	Drummaschine	Programm 012					7	000	350	B-4
	2	Baß	Alembic mit Ampeg-Verstärker					7	000	350	B-4
	3	Rhythmusgitarre	Gibson ES-225, Mesa Boogie					7	064	350	B-2
	4	Sologitarre	'57 Strat, Tweed Princeton					8	172	280	B-2

B	Track	Instrument	Other Info	High	Low	Aux	Pan	Fader	Start	Stop	To Track
	1										
	2	Gitarren-Mix	ES-225 und Strat						064	350	
	3										
	4	Schlagzeug-Baß	Rhythmussektion						000	350	



! *Selbstverständlich können Sie das Signal eines via MIDI/FSK synchronisierten Instruments auch auf eine freie Spur aufnehmen.*



! *! Damit bei der Aufnahme des Synchronisationssignals alles nach Plan verläuft:*

*Bitte befolgen Sie alle hier aufgeführten Hinweise, damit alles nach Plan verläuft.*

- *Stellen Sie den Aufnahmepegel von Spur 4 so ein, daß das FSK-Signal einen Pegel von 0 bis +3dB hat.*
- *Wenn Sie den dbx Schalter auf SYNC gestellt haben, sollten Sie keine Musik auf Spur 4 aufnehmen (was ja hier sowieso nicht Ihre Absicht ist).*
- *Am besten nehmen Sie das Synchronisationssignal immer separat auf. Nehmen Sie also niemals gleichzeitig etwas auf Spur 3 auf.*

## Synchronisation

Statt eines Parts können Sie auf Spur 4 auch ein Signal aufnehmen, mit dem sich hinterher ein Sequenzer oder eine Drummaschine synchronisieren läßt.

(FSK ist die Abkürzung für Frequency Shift Keying. Hierbei handelt es sich um eine Analog-Fassung eines MIDI-Signals, das Angaben bezüglich des Tempos enthält. Dieses Signal kann man aufnehmen und wieder zum Sequenzer usw. senden, der dann exakt dasselbe Tempo wählt. Mithin kann Spur 4 also als "Dirigent" eines Sequenzers oder einer Drummaschine fungieren.)

Wenn Sie gerne mit FSK arbeiten, brauchen Sie einen YMC10 MIDI/FSK Wandler von Yamaha, den Sie einerseits mit der Drummaschine oder dem Sequenzer und andererseits mit dem Eingang von Modul 4 verbinden müssen.

1. **Verbinden Sie den TAPE SYNC-Ausgang des YMC10 mit dem MIC/LINE Eingang von Modul 4.**
2. **Stellen Sie den Zeittakt des MIDI-Geräts vorerst auf "Internal."**
3. **Stellen Sie den Fader von Modul 4 ungefähr auf 8.**
4. **Stellen Sie den dbx Schalter auf SYNC oder OFF.**

Wenn Sie den dbx Schalter auf SYNC stellen, gilt die Rauschunterdrückung nur für Spur 1, 2 und 3. Spur 4 hingegen wird nicht "rauschunterdrückt".

5. **Stellen Sie den REC SEL Schalter von Modul 1, 2 und 3 auf "OFF." Stellen Sie den REC SEL Schalter von Modul 4 auf "4."**

Die REC Diode von Spur 4 blinkt nun.

6. **Drücken Sie den REC Taster.**

Die REC Diode von Modul 4 leuchtet nun.

7. **Starten Sie den Sequenzer oder die Drummaschine und nehmen Sie das Synchronisationssignal auf Spur 4 auf. Das Synchronisationssignal muß natürlich mindestens die Länge des betreffenden Stücks haben.**

8. **Wenn das Synchronisationssignal aufgenommen ist, können Sie die Verbindung mit dem YMC10 wieder lösen.**

9. **Spulen Sie die Cassette zurück.**

10. **Verbinden Sie die SYNC OUT Buchse des MT50 mit der TAPE SYNC IN Buchse des YMC10.**

11. **Machen Sie den Sequenzer oder die Drummaschine Wiedergabebereit.**

Stellen Sie den Zeittakt des MIDI-Geräts vorerst auf "MIDI." Siehe die Bedienungsanleitung des Sequenzers für nähere Einzelheiten.

12. **Drücken Sie den PLAY Taster des MT50, um die Wiedergabe zu starten.**

Der Sequenzer oder die Drummaschine empfängt nun ein Startsignal und wechselt ebenfalls in den Wiedergabebetrieb.

13. **Spielen Sie nun die akustischen Parts im Rhythmus der Sequenz und nehmen Sie die neuen Parts auf die verbleibenden Spuren auf.**

# Anhang

## Bei kleinen Pannen

Wenn bei der Bedienung des MT50 etwas nicht nach Plan verläuft, können Sie in der nachstehenden Tabelle schauen, ob Sie das Problem selbst beheben können.

Symptom	Lösung
<b>Der MT50 läßt sich nicht einschalten</b>	Haben Sie das Netzteil mit einer stromführenden Steckdose verbunden?
	Schauen Sie nach, ob das Netzteil mit der DC 12V Buchse des MT50 verbunden ist.
	Schauen Sie nach, ob der MT50 eingeschaltet ist.
	Wenn der MT50 immer noch nicht funktioniert, sollten Sie Ihnen zur Reparatur einreichen.
<b>Aufnahme funktioniert nicht.</b>	Haben Sie eine Cassette eingelegt?
	Vielleicht haben Sie vergessen die Cassette zurückzuspuhlen.
	Vielleicht sind die Sicherungsglaschen aus der Cassette gebrochen.
	Schauen Sie nach, ob sich der betreffende REC SEL Schalter in der richtige Position befindet.
<b>Aufnahme klingt verzerrt oder enthält viel Rauschen.</b>	Achten Sie bei der Aufnahme darauf, daß sich der Signalpegel ungefähr bei 0dB befindet und daß die +6dB Diode nur ab und zu aufleuchtet. Ist der Signalpegel zu hoch, klingt die Aufnahme verzerrt. Bei zu niedrigem Signalpegel hingegen wird auch viel Rauschen aufgenommen.
<b>Die Aufnahme enthält zu wenig Höhen oder das Band dreht sich unregelmäßig.</b>	verwenden Sie ausschließlich Type II (High Bias 70µs EQ) Chromcassetten.
	Am besten reinigen Sie die Köpfe des MT50. Siehe "Pflege des MT50" auf Seite 31.
	Verwenden Sie eine andere Cassette.
<b>Wiedergabe klappt nicht.</b>	Schauen Sie nach, ob die Cassette richtig eingelegt ist.
	Vielleicht müssen Sie die Cassette erst noch zurücksputzen.
<b>Die Tonhöhe und Wiedergabegeschwindigkeit stimmen nicht.</b>	Schauen Sie nach, ob die Einstellung des PITCH Reglers geändert wurde.
<b>Das Effektsignal ist unhörbar oder das Effektgerät empfängt überhaupt kein Signal.</b>	Stellen Sie den AUX Regler und Fader des betreffenden Kanals richtig ein. Kontrollieren Sie außerdem den AUX RETURN Pegel.
<b>Kein Signal im Kopfhörer.</b>	Ändern Sie die Einstellung des MONITOR/PHONES Reglers. Außerdem muß der MONITOR SELECT Schalter richtig eingestellt werden.
<b>Beim Überspielen ist das Signal, das aufgenommen werden soll, unhörbar.</b>	Stellen Sie den Fader des betreffenden Moduls sachgemäß ein. Der MONITOR SELECT Schalter muß außerdem auf CUE gestellt werden. Mit dem CUE Regler können Sie nun den Abhörpegel einstellen.
<b>Die Synchronisation klappt nicht.</b>	Schauen Sie nach, ob der Pegel des Synchronisationssignals ungefähr +3dB entspricht. Vielleicht verwenden Sie aber auch eine altersschwache Cassette. Siehe außerdem die Bedienungsanleitung des verwendeten Sequenzers. Wenn Sie einen FSK/MIDI Wandler verwenden, sollten Sie die Anschlüsse noch einmal kontrollieren.

## Pflege des MT50

Am besten lesen Sie sich folgende Punkte kurz durch, da Sie einen entscheidenden Beitrag zur Funktionstüchtigkeit Ihres MT50 leisten. Wenn Sie folgende Dinge regelmäßig durchführen, werden Sie über Jahre hinweg Freude an Ihrem MT50 haben.

- Reinigen Sie die Tonköpfe, Capstans und Andruckrollen in regelmäßigen Zeitabständen. (Siehe die "Vorsichtsmaßnahmen" am Beginn dieser *Bedienungsanleitung*.)
- Der Aufnahmekopf sollte ab und zu auch einmal demagnetisiert werden.

### Reinigen der Tonköpfe und anderen Teile

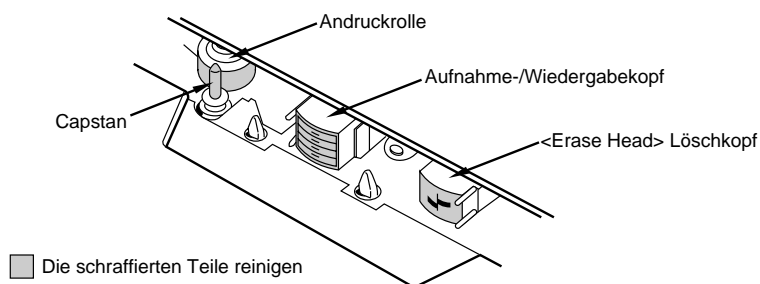
Die Aufnahmeköpfe sind sehr empfindliche Teile, die das Band berühren. Das bedeutet, daß sich auf den Köpfen Oxidablagerungen bilden, die man entfernen muß. (Tun Sie das nicht, merken Sie sehr schnell, daß die Aufnahmen ausgesprochen dumpf klingen.)

Auf den übrigen Teilen (Capstans und Andruckrollen) lagert sich ebenfalls Oxid ab. Hierdurch wird der Bandtransport beeinträchtigt, so daß Ihre Aufnahmen "wummerig" klingen.

Am besten verwenden Sie zum Reinigen der Tonköpfe und des Capstans speziell hierfür entwickelte Reinigungsmittel. Tonreinigungssets enthalten in der Regel Wattestäbchen und eine Isopropylalkohollösung und sind im Audio- oder Elektronikfachgeschäft erhältlich. Befolgen Sie die Anweisungen des Reinigungssets und entfernen Sie alle Fremdkörper von den Tonköpfen und dem Capstan.

Zum Reinigen der Andruckrollen verwenden Sie am besten eine alkoholfreie Reinigungslösung. Das Gummi trocknet unter Alkoholeinwirkung nämlich aus und wird dann sehr schnell porös.

Die oben erwähnten Teile sollten in regelmäßigen Zeitabständen gereinigt werden – am besten alle zehn Aufnahmestunden. Ein schmutziger Aufnahmekopf kann nämlich zu unerwünschten Nebengeräuschen führen, mit denen niemand gedient ist. In besonders extremen Fällen könnte es sogar vorkommen, daß der ganze Mechanismus den Dienst verweigert. Wenn für Sie nur das Beste gut genug ist, sollten Sie die Köpfe vor jeder Aufnahme einer eingehenden Reinigung unterziehen.



## Demagnetisieren des Aufnahmekopfes

Da das Cassettenband immer am Aufnahmekopf "vorbeireibt", bildet sich auf dem Kopf sehr schnell ein Magnetfeld. Selbstverständlich dauert es ein wenig, bevor diese Magnetwirkung wirklich zu einem Problem wird, aber zu lange sollten Sie mit dem Demagnetisieren auch nicht warten. Hierfür brauchen Sie ein handelsübliches Demagnetisiergerät. (Auch das finden Sie im Elektronikfachgeschäft.) Lesen Sie sich die dem Gerät beiliegenden Hinweise sorgfältig durch. Bei unsachgemäßem Gebrauch des Demagnetisiergeräts könnten Sie den Aufnahmekopf nämlich beschädigen. Außerdem sollten Sie alle Cassetten so weit wie möglich weglegen, bevor Sie das Demagnetisiergerät einschalten, sonst werden Ihre kostbaren Aufnahmen nämlich gelöscht!

Am besten demagnetisieren Sie die Köpfe alle 10 Aufnahmestunden. Bei besonders wichtigen Aufnahmen schadet es natürlich nicht, wenn Sie die Köpfe auch gleich demagnetisieren.

# Technische Daten

## Allgemeine Spezifikationen

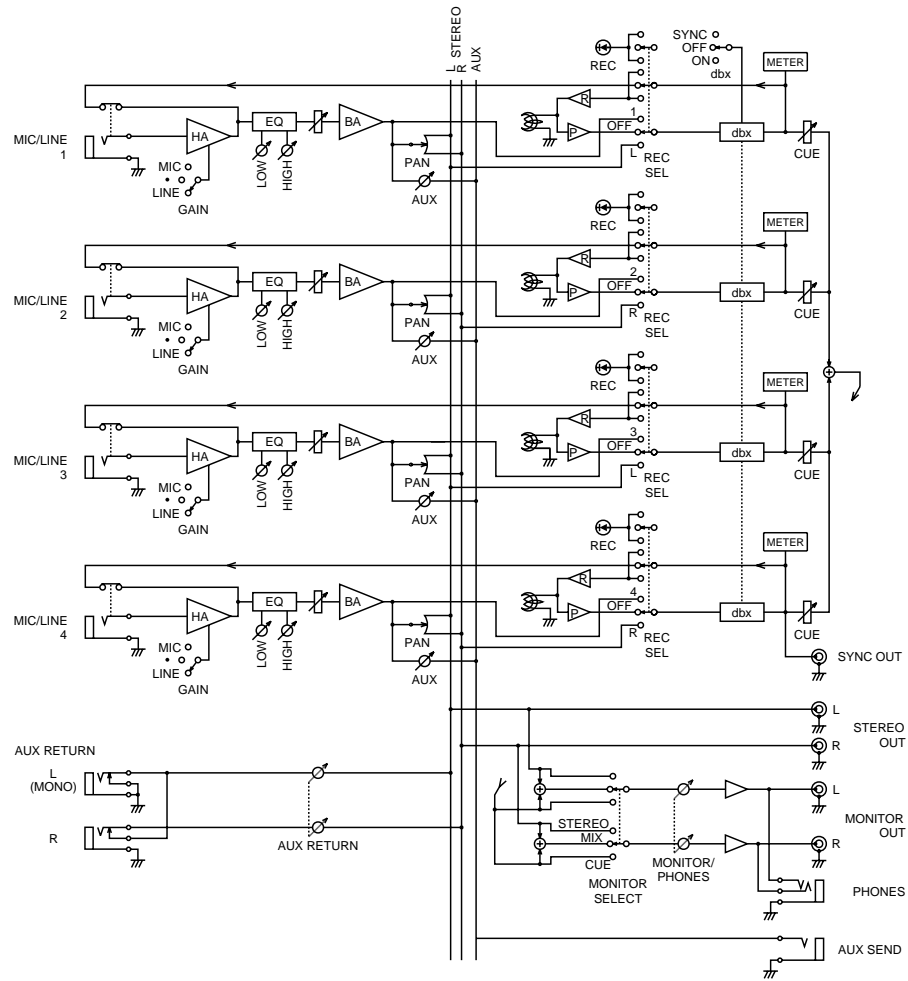
Bandtransport	Cassettyp	C46–90 Cassette (Type II High Bias 70 $\mu$ s EQ)
	Spurformat	4 Spuren
	Tonkopfsystem	4 Spuren Aufnahme/Wiedergabe (Hart-Permalloy Kopf)
		Vierspurlöschkopf (Ferritkopf)
	Motor	DC servo
	Bandgeschwindigkeit	9.5 cm/sec
	Geschwindigkeitsregelung	$\pm 10\%$
	Gleichlaufschwankungen	0.12% W. RMS
Rückspuldauer	C60 Cassette $\rightarrow$ Ungef. 120 Sekunden	
Mischpult	Frequenzgang	MIC IN zu STEREO OUT, LINE IN zu STEREO OUT, LINE IN zu PHONES OUT: 20 Hz–20 kHz +1, –4 dB
	Fremdspannungsabstand	MIC IN zu STEREO OUT: 68 dB, IHF-A (GAIN: MIC)
		LINE IN zu STEREO OUT: 70 dB, IHF-A (GAIN: LINE)
	Entzerrung	LOW: $\pm 12$ dB, 80 Hz, Kuhschwanz
HIGH: $\pm 12$ dB, 12 kHz, Kuhschwanz		
Aufnahmeteil	Frequenzgang	40 Hz–16 kHz +3, –5 dB (dbx* aus)
	Fremdspannungsabstand (@3% THD)	85 dB (dbx* an, IHF-A)
	Verzerrung	1.5% (400 Hz, Aufnahmepegel –10 dB)
	Löschverhältnis	55 dB (1 kHz, Aufnahmepegel 0 dB, dbx* aus)
	Rauschunterdrückung	dbx*
Anschlüsse	MIC/LINE	Eingangsimpedanz: 10k $\Omega$
		Nenningangpegel: –10, –30, –50 dB (Fader auf Nennpegel)
		Minimaler Eingangspegel: –56 dB (GAIN auf MIC, Fader auf Höchstwert)
		Maximaler Eingangspegel: +6 dB (GAIN auf LINE, Fader auf Nennpegel)
	AUX RETURN L/R	Eingangsimpedanz: 10k $\Omega$
		Nenningangpegel: –10 dB (AUX RETURN Regler auf Nennwert)
		Minimaler Eingangspegel: –16 dB (AUX RETURN Regler auf Höchstwert)
	STEREO OUT L/R	Ausgangsimpedanz: 1k $\Omega$ Nennlastimpedanz: 10k $\Omega$ Nennausgangspegel: –10 dB (bei 10k $\Omega$ Last)
AUX SEND		
MONITOR OUT L/R		
SYNC OUT		
PHONES (stereo)	Nennlastimpedanz: 8–40 $\Omega$ Maximaler Ausgangspegel: 30mW (bei 40 $\Omega$ Last)	
General	Stromspeisung	Netzteil (PA-1206)
	Abmessungen (B x H x T)	337 $\times$ 69.3 $\times$ 231 mm
	Gewicht	1.7 kg
	Sonderzubehör	FC5 Fußtaster zum Ein- und Aussteigen

0 dB = 0.775 V rms

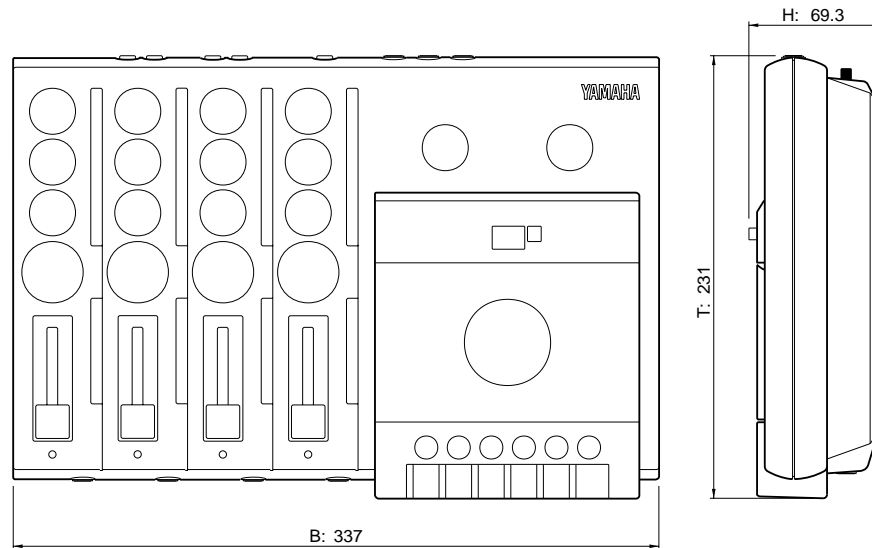
\* Das dbx Rauschunterdrückungssystem wurde aufgrund einer Lizenz von THAT Corporation hergestellt.  
dbx ist ein eingetragenes Warenzeichen von Carillon Electronics Corporation.

Änderungen der Spezifikationen ohne Vorankündigung vorbehalten.

## Blockschaltbild



## Abmessungen



# Glossar

---

**Andruckrolle** — Die Gummirolle neben dem Capstan, mit der der Bandlauf stabilisiert wird.

**AUX RETURN (Auxiliary Return)** — Mit dem AUX RETURN Regler bestimmen Sie den Pegel des Effektsignals, das zu der Abmischung gegeben wird. Das setzt voraus, daß Sie die Ausgänge des Effektgeräts mit den AUX RETURN Buchsen des MT50 verbinden. (Das Signal für das Effektgerät liegt an AUX SEND an.)

**AUX SEND (Auxiliary Send)** — Jedes Modul des MT50 ist mit einem AUX SEND Regler ausgestattet, mit dem Sie den Pegel des betreffenden Signals bestimmen. (Dieses Signal liegt an der AUX SEND Buchse an, die man natürlich mit dem Eingang des Effektgeräts verbinden muß.)

**Capstan** — Das kleine, stiftartige Teil, das sich neben der Andruckrolle befindet. Das Band wird jeweils zwischen dem Capstan und der Andruckrolle durchgeführt.

**CUE Regler** — Jedes Modul ist mit einem CUE Regler ausgerüstet, mit dem Sie den Pegel des betreffenden Signals in der CUE Summe bestimmen. Wenn Sie dieses Signal hören möchten, müssen Sie den MONITOR SELECT Schalter auf CUE stellen.

**DAT (Digital Audio Tape)** — Cassette und/oder Gerät, mit der/dem man Digitalinformationen statt analoge Audiosignale aufzeichnet. DAT Recorder werden sehr oft als Master-Maschinen verwendet.

**dbx Rauschunterdrückung** — Bandaufnahmen sind ohne Rauschen eigentlich undenkbar. Deshalb ist der MT50 mit einem dbx Rauschunterdrückungssystem ausgestattet, mit dem unerwünschte Geräusche unterdrücken kann.

**Demagnetisiergerät** — Ein Gerät, das man in der Hand halten kann und das an eine Steckdose angeschlossen werden muß. Ein Demagnetisiergerät entfernt alle magnetischen Felder, die sich an den Tonköpfen bilden. Solch ein Gerät brauchen Sie unbedingt, wenn Sie jederzeit optimale Aufnahmen erstellen möchten.

**Direktaufnahme** — Aufnahmeverfahren, bei dem alle vier Spuren gleichzeitig bespielt werden. Eignet sich besonders für Live-Mittschnitte von Konzerten oder Proben.

**Ein-/Aussteigen** — Ein heutzutage häufig angewandtes Aufnahmeverfahren, bei dem man nur jeweils korrekturbedürftige Passagen noch einmal aufnimmt, den Rest der Spur aber nicht ändert.

**Entzerrung (EQ)** — Der Vorgang, bei dem die hohen oder niedrigen Frequenzen angehoben oder abgesenkt werden. Jedes Modul des MT50 ist mit einem HIGH und LOW Regler ausgestattet, deren Funktion im Grunde mit der eines Verstärkers identisch ist.

**Fader** — Jedes Modul des MT50 ist mit einem Fader ausgestattet, mit dem Sie einerseits den Aufnahme- und andererseits den Wiedergabepiegel des Signals bestimmen.

**FSK (Frequency Shift Keying)** — Ein Code, der mit Hilfe eines hierfür entwickelten Geräts aus einem MIDI-Signal gewonnen oder in ein MIDI-Signal umgewandelt werden kann.



**GAIN Schalter** — Da der Ausgangspegel der verwendeten Signalquellen sehr unterschiedlich ist, braucht man einen Regler, mit dem man die Eingangsempfindlichkeit der Eingänge ändern kann. Die GAIN Schalter des MT50 kann man auf Line-, Instrument oder Mikrofonpegel stellen.

**Instrumentpegel** — Der Ausgangspegel von elektrischen Gitarren oder Baßgitarren. Diese Eingangsempfindlichkeit erzielen Sie auf dem MT50, indem Sie den GAIN Schalter in die Mitte (zwischen Line und MIC) stellen.

**Line Pegel** — Der Ausgangspegel sehr starker Signalquellen, wie z.B. Synthesizer, Drummaschinen, CD-Spieler. Die geringste Eingangsempfindlichkeit der GAIN Schalter

**Master Maschine** — Ein zweites Aufnahmegerät, mit dem man das mit dem MT50 abgemischte Signal aufnimmt. Zum Mastern kann man ein Tonbandgerät, ein Cassettendeck oder einen DAT Recorder verwenden – Hauptsache das Gerät ist stereo.

**Mehrspuraufnahme** — Aufnahmeverfahren, bei dem bestimmte Instrumente auf separate waagerechte Bandabschnitte aufgenommen werden. Der MT50 bietet vier Spuren, deren Pegel, Panorama usw. während der Abmischung separat eingestellt werden kann.

**MIC/LINE Eingang** — Jedes Eingangsmodul des MT50 ist mit einem MIC/LINE Eingang ausgestattet, an den man die Signalquelle, die aufgenommen werden soll, anschließen muß.

**MIDI (Musical Instrument Digital Interface)** — Ein Digital-Datenformat, das den Datenaustausch von elektronischen Musikinstrumenten oder Peripheriegeräten ermöglicht.

**Abmischung** — Der Vorgang, bei dem man das Lautstärkeverhältnis, die Entzerrung, das Panorama und die Effektintensität der auf die vier Spuren aufgezeichneten Signale einstellt.

**Modul** — Der MT50 ist mit vier Modulen ausgestattet, die alle die gleichen Bedienelemente enthalten und sich links auf dem MT50 befinden.

**MONITOR/PHONES Regler** — Mit diesem Regler bestimmen Sie den Pegel des Signals, das an den MONITOR OUT Buchsen und dem Kopfhöreranschluß anliegt.

**Pan** — Regler, mit dem man ein Signal links, rechts oder in der Mitte des Stereoschallbildes anordnen kann.

**Pitch** —Bedeutet eigentlich *Tonhöhe*. Im Falle des MT50 handelt es sich jedoch um einen Regler, mit dem man die Bandlaufgeschwindigkeit ändern kann. Dank dieses Reglers kann man eine Aufnahme "stimmen", was vor allem für schwer oder gar nicht stimmbare Instrumente von Vorteil ist

**Ping-Pong Aufnahme** — Wird auch "Bouncing" genannt und bezieht sich auf das Zusammenlegen mehrerer Parts auf eine Spur, so daß die Spuren der abgemischten Parts für weitere Parts zur Verfügung stehen.

**Post Fader** — Das AUX Signal der Module (oder Kanalzüge) wird hinter den Fadern abgegriffen, was im anglophonen Sprachraum "Post Fader" genannt wird. Das bedeutet, daß sich der an AUX SEND anliegende Signalpegel einerseits nach der Einstellung des AUX Reglers und andererseits nach der Position des betreffenden Faders richtet. Siehe *Pre Fader*.

**Pre Fader** — Ein Signal, das vor den Fadern abgegriffen wird, so daß der betreffende Fader den Signalpegel nicht beeinträchtigt.

**Spur** — Ein waagerechter Bandabschnitt, der mit dem Aufnahmekopf bespielt werden kann. Der MT50 erlaubt das Bespielen von vier Spuren anhand einer handelsüblichen Compact Cassette.

**Spurübersicht** — Eine Tabelle, in der man alle wichtigen Fakten bezüglich einer Aufnahme eintragen kann.

**Stereoabmischung** — Das auf zwei Spuren aufgenommene Ergebnis einer Abmischung. Wird in Fachkreisen in der Regel *Master* genannt.

**Synchronisation** — Der Vorgang, bei dem ein Gerät Signale zu anderen Geräten sendet, anhand dessen die anderen Geräte zeitgleich starten und anhalten.

**Tonkopf** — Das sensible Teil, die das Cassettenband berührt, damit die gewünschten Signale auch tatsächlich aufgenommen werden.

**Überspielen** — Aufnahmeverfahren, bei dem mehrere Parts nach einander auf verschiedene Spuren aufgezeichnet werden. Der zweite Musiker hört während der Aufnahme den ersten Part, während der dritte Musiker bereits zwei Parts hört usw.

**Zeitcode** — Ein Signal, das man auf Spur 4 des MT50 aufnehmen und anschließend unter Zuhilfenahme eines Wandlers wieder zum Sequenzer oder zur Drummaschine senden kann. Hierdurch startet das externe MIDI-Gerät jeweils zum richtigen Zeitpunkt

**Multitrack Cassette Recorder**

**MT50**

**Guía del Usuario**

**Español**

---

# Precauciones

Lea detenidamente todas las precauciones siguientes antes de utilizar su MT50.

## Precauciones de seguridad

- Asegúrese de que el cable del adaptador de CA no esté situado en una posición donde pueda fácilmente ser pisado o ser aprisionado por otros equipos.
- No exponga el MT50 directamente a la luz del sol, a condiciones extremas de temperatura, humedad, existencia de polvo, vibraciones o fuertes sacudidas.
- La temperatura ambiente del lugar donde se encuentre el MT50 debería encontrarse entre 10°C y 35°C (50°F y 95°F).
- Utilice únicamente el adaptador de CA suministrado con el MT50. No utilice adaptadores de CA de otro fabricante.
- El adaptador de CA se debe conectar únicamente a un tomacorriente de CA que sea del tipo que se especifica en el adaptador de CA o en esta *Guía del Usuario*.
- Antes de conectar el adaptador de CA al MT50, desconecte el adaptador del tomacorriente de CA. Conecte siempre el adaptador de CA al MT50, y después enchufe el adaptador de CA en el tomacorriente mural de CA.
- Coja el conector del adaptador de CA firmemente entre las manos cuando lo esté extrayendo del tomacorriente de CA. No tire del cable del adaptador.

## Precauciones de manejo

- Para reducir el riesgo de padecer descargas eléctricas, no abra el MT50.
- Para reducir el riesgo de que se produzca un incendio o una descarga eléctrica, no exponga el MT50 a la lluvia o a la humedad.
- En un entorno extremadamente húmedo, se puede formar condensación en el interior o en el exterior del MT50. Si se produce condensación, deje el MT50 encendido, pero no lo utilice hasta que la condensación haya desaparecido.

## Mantenimiento

- Utilice un trapo suave y seco para limpiar el MT50.
- En el caso de que el MT50 necesite una limpieza más completa, utilice un trapo suave ligeramente humedecido. Si hay marcas difíciles de quitar puede intentarlo utilizando un detergente suave. No utilice limpiadores abrasivos o basados en disolventes como el alcohol o la bencina.

## Servicio y reparación

- Cualquier examen o reparación debe ser efectuado por personal cualificado.
- Si se produce alguna de las siguientes situaciones, el MT50 deberá ser reparado por personal cualificado:
  - El cable o el enchufe del adaptador de CA está dañado.
  - Se han introducido objetos metálicos o líquidos en el interior del MT50.
  - El MT50 ha estado expuesto a la lluvia.
  - El MT50 se ha dejado caer o su carcasa está dañada.
  - El MT50 no funciona normalmente o se ha observado un cambio muy claro en su funcionamiento.

© 1994 Yamaha Corporation. Reservados todos los derechos.  
Todas las marcas comerciales son de propiedad de sus respectivos titulares.

---

# Índice general

<b>1</b>	<b>Bienvenido al MT50</b> .....	<b>1</b>
	Acerca de esta Guía del Usuario .....	1
	¿Qué es el MT50? .....	1
	Elección de cintas de cassette .....	2
	Acerca de la grabación multipista .....	2
	¿Son suficientes cuatro pistas? .....	2
	Sugerencias .....	3
<b>2</b>	<b>Familiarizarse con el MT50</b> .....	<b>4</b>
	Conexiones .....	9
<b>3</b>	<b>Grabación Básica</b> .....	<b>10</b>
	Carga de cassettes en el MT50 .....	10
	Activado/Desactivado del Sistema .....	10
	Preparación .....	10
	Paso 1 — Grabación de la batería .....	11
	Paso 2 — Grabación del Bajo .....	12
	Paso 3 — Grabación de guitarra .....	13
	Paso 4 — Grabación de Vocales .....	14
	Paso 5 — Mezclas .....	15
	Preparación .....	15
	Niveles de Balance .....	15
	Panning .....	16
	Aplicación de EQ .....	16
	Añadiendo efectos .....	16
	Grabación de las mezclas .....	16
	Ejemplo de conexiones .....	17
<b>4</b>	<b>Grabación Avanzada</b> .....	<b>18</b>
	Grabación One Take .....	18
	Grabación Ping Pong .....	18
	Grabación Punch In/Out .....	18
	Sincronización .....	18
	Grabación One Take .....	19
	Grabación Ping-Pong .....	23
	Grabación Punch In/Out .....	25
	Sincronización .....	27
	<b>Anexo</b> .....	<b>28</b>
	Localización de Fallos .....	28
	Mantenimiento del MT50 .....	29
	Especificaciones .....	31
	Especificaciones generales .....	31
	Diagramas en Bloques .....	32
	Dimensiones .....	32
	<b>Glosario</b> .....	<b>33</b>

# 1

## Bienvenido al MT50

Gracias por haber elegido el Registrador de Cassettes Multipista MT50 de Yamaha. El MT50 es un registrador de cintas de cassette de cuatro pistas que es fácil de utilizar y que le permitirá grabar su música a un nivel de calidad muy elevado. Para obtener las mayores ventajas de las prestaciones multipista del MT50, lea detenidamente este manual en su integridad.

### Acerca de esta Guía del Usuario

Esta *Guía del Usuario* consta de cuatro capítulos principales.

- Capítulo 1: Bienvenido al MT50.
- Capítulo 2: Familiarizarse con el MT50.
- Capítulo 3: Grabación Básica.
- Capítulo 4: Grabación Avanzada.

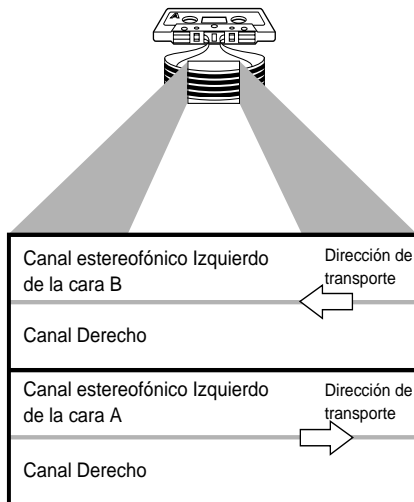
El “Capítulo 2: Familiarizarse con el MT50” explica cuáles son los controles del MT50 y sus conexiones. El “Capítulo 3: Grabación Básica” explica la preparación básica y el procedimiento para encender el aparato y contiene una guía paso a paso para grabación de copiado de cintas (overdub) y mezclas (mixdown). El “Capítulo 4: Grabación Avanzada” explica ciertas técnicas avanzadas de grabación con el MT50, como la grabación One-Take, la grabación Ping-Pong, la grabación Punch In/Out, y la Sincronización de cintas MIDI.

Si todo lo que se refiere al mundo de la grabación multipista le resulta desconocido, lea el Capítulo 2 hasta el final. En el Anexo hay información técnica y un glosario.

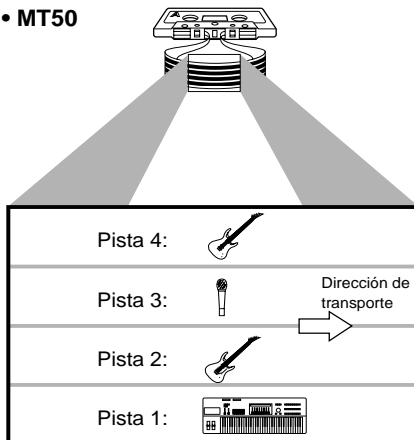
### ¿Qué es el MT50?

Un registrador de cassettes de alta fidelidad normal utiliza únicamente dos pistas (por ejemplo, izquierda y derecha) y las dos pistas se graban simultáneamente. El MT50, por su parte, puede grabar cuatro pistas en un cassette de audio normal. Un rasgo incluso más importante, usted podrá grabar y reproducir esas cuatro pistas individualmente. Usted podrá grabar las cuatro pistas simultáneamente, o una de cada vez (con una técnica llamada grabación “overdub”). El MT50 utiliza únicamente una cara de un cassette de audio normal; de hecho no hay cara B. Si se cambia el cassette, se oirán las cuatro pistas reproduciéndose hacia atrás. Esto es debido a que el MT50 utiliza toda la anchura de la cinta para grabar cuatro pistas. El MT50 utiliza reducción de ruido dbx para reducir los ruidos propios de la cinta y mantener sus grabaciones limpias y perfectas. Una vez que usted haya grabado sus cuatro pistas, podrá usted hacer mezclas en estéreo utilizando el mezclador flexible del MT50, con EQ, pan, y un envío auxiliar (aux send) para añadir efectos.

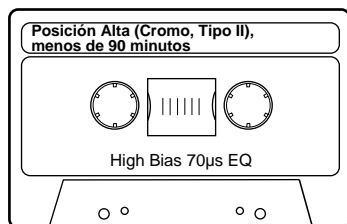
#### • Platina normal de cassette



#### • MT50



\* El sistema de reducción de ruido dbx se ha fabricado basándose en una licencia de patente de THAT Corporation.  
dbx es una marca registrada de Carillon Electronics Corporation.



Cinta	Tiempo de grabación
90 min.	Aproximadamente 22,5 min.
60 min.	Aproximadamente 15 min.
30 min.	Aproximadamente 7,5 min.

## Elección de cintas de cassette

Para un excelente funcionamiento utilice cassettes de cromo de alta calidad tipo II (High Bias 70 µs EQ) de 90 minutos o menos, como por ejemplo TDK SA, Maxell UD-XLII, y Sony UX-S. No utilice cintas de metal ni cintas de 120 minutos. A una velocidad normal una cinta de 60 minutos proporciona aproximadamente 15 minutos de tiempo de grabación. Esto se debe a que la cinta va al doble de la velocidad de un registrador de cassette normal y a que utiliza solamente la cara A.

## Acerca de la grabación multipista

La grabación multipista se refiere sencillamente a la grabación en más de una pista (una pista es una banda física de una cinta de grabación). Inventada por Les Paul en los años cincuenta, la grabación multipista constituyó un avance revolucionario en el arte de la grabación. De repente, se podía grabar el sonido de múltiples instrumentos en pistas separadas en una cinta y mezclarlos luego, haciendo ajustes independientes para cada pista.

El MT50 le proporciona esa increíble capacidad en una unidad compacta, portátil que puede usted utilizar para hacer grabaciones multipista casi en cualquier lugar - en un estudio de ensayos con la banda, o en su habitación. Si usted combina el MT50 con otras tecnologías musicales como por ejemplo MIDI y el procesamiento de efectos digitales, podrá efectuar grabaciones memorables.

## ¿Son suficientes cuatro pistas?

El MT50 es un grabador de cintas de cuatro pistas: sus cabezales de grabación crean cuatro pistas separadas en una cinta.

También usted observará que la cara izquierda del aparato está compuesta de cuatro grupos o "módulos" de controles idénticos. Estos módulos controlan cuatro canales de mezclas por separado con controles de atenuadores, tonos, pan y de envío auxiliar.

Esta combinación de cuatro entradas, cuatro canales de mezclas y cuatro pistas le da una enorme flexibilidad. Usted podrá crear una señal que vaya desde cualquier entrada hasta cualquier pista de la cinta. (En otras palabras, no hay necesidad de grabar el módulo de entrada 1 en la pista 1 de la cinta; la entrada 1 puede ser dirigida hacia las pistas 2, 3 ó 4.)

Usted podrá copiar encima de sus propias grabaciones (grabación "overdub"), escuchando una parte de ellas mientras graba otra parte.

También podrá transferir las partes grabadas de hasta tres pistas hacia pistas no grabadas. Después, usted podrá grabar encima de las pistas iniciales, y quizás repetir el proceso. Utilizando esta técnica, llamada grabación ping pong, podrá usted expandir de forma eficaz su estudio de cuatro pistas hasta convertirlo en un estudio de diez o más pistas.

## Sugerencias

- Evite los reostatos (interruptores de atenuado de luces eléctricas), los acondicionadores de aire, y las luces fluorescentes o de neón. Añaden zumbidos a sus grabaciones.
- Si utiliza micrófonos para grabar, es útil grabar en una habitación donde el sonido sea bueno: en otras palabras, en un entorno acústico apropiado. Además, usted podrá experimentar la colocación de sus micrófonos, tenga en cuenta que pequeños ajustes pueden afectar grandemente la calidad del sonido.
- Utilice cables de alta calidad y armados.
- Si tiene usted una unidad de efectos de reverberación digital o analógica, puede usted desear usarla. Sin embargo, úsela con moderación. Demasiada reverberación puede producir un sonido poco claro. Piense en la posibilidad de evitar la reverberación hasta que llegue la mezcla que se realiza al final, para aplicarla de forma uniforme a la mezcla completa.

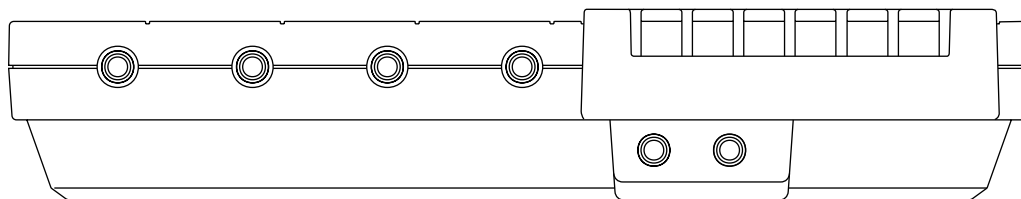
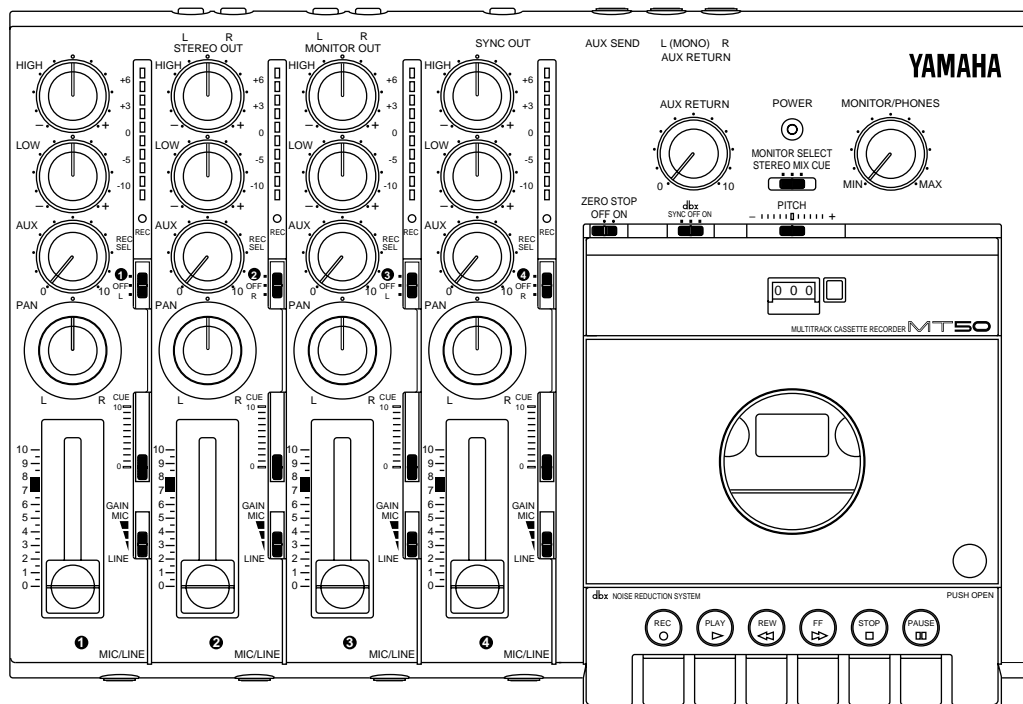
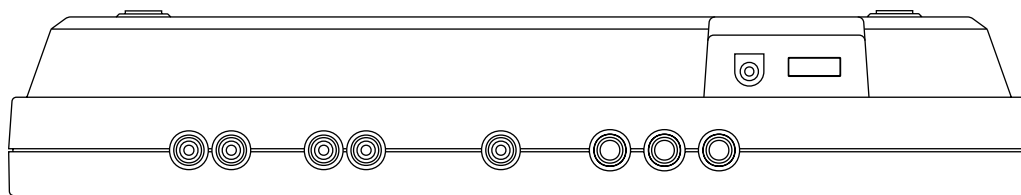


# 2

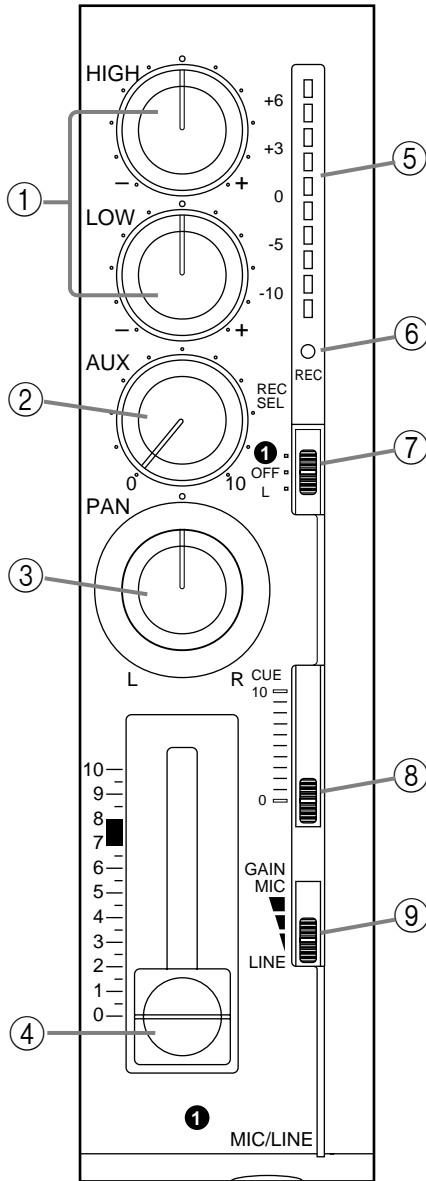
## Familiarizarse con el MT50

Este capítulo le invita a una visita guiada del MT50 y le explica lo que hacen los controles y las conexiones y cómo utilizarlos.

En primer lugar se ilustran y explican los controles de los módulos, después los controles generales. Finalmente, se hace referencia a las conexiones del MT50. Consulte las ilustraciones que aparecen más adelante y en todo este capítulo para identificar los controles y las conexiones del MT50. De esta forma será más fácil aprender del “Capítulo 3: Grabación Básica”.



**Nota:** Los controles del 1 al 9 son los mismos para los cuatros módulos de entrada

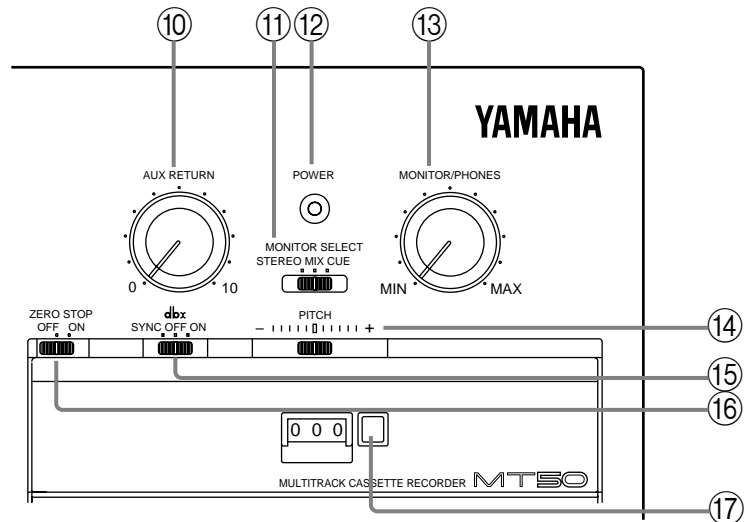


! Para quien entienda de términos técnicos, el control Alto (HIGH) tiene una frecuencia central de 12 kHz y el control Bajo (LOW) de 80 Hz. Los dos controles ofrecen hasta 12 dB de corte y amplificación.

- ① **Controles de ecualización Alto (HIGH) y Bajo (LOW):** Estos controles ajustan el tono (EQ). Cuando hay algo conectado a la entrada Micrófono/Línea (MIC/LINE), estos controles afectan al tono de la señal de entrada (es decir, a la señal que se va a grabar). Cuando no hay nada conectado a la entrada Micrófono/Línea (MIC/LINE), estos controles afectan al tono de la señal que se está reproduciendo (es decir, a la señal de la cinta que se alimenta hacia el mezclador estéreo).
- ② **Control Auxiliar (AUX):** Este control fija el nivel de la señal que se dirige hacia la salida de envío auxiliar (AUX SEND), que se utiliza para alimentar un procesador de efectos externos. La señal de envío auxiliar del MT50 es introducida como fuente después de haber atravesado el atenuador. Para alimentar la señal de un canal hacia un procesador de efectos externos a través del envío auxiliar, hay que poner más fuerte su control Auxiliar (AUX) y elevar su atenuador.
- ③ **Control PAN:** Este control posiciona la reproducción de un sonido en el mezclador estéreo (es decir, entre los canales izquierdo y derecho). Si gira a la derecha la señal se dirige hacia el canal derecho y si gira hacia la izquierda la señal va hacia el canal izquierdo. Para alcanzar la posición central, se alimenta una cantidad igual de señal hacia las dos salidas izquierda y derecha.
- ④ **Atenuador:** Cuando hay algo conectado a la entrada micrófono/línea (MIC/LINE), el atenuador fija el nivel de grabación (es decir, el nivel de la señal de entrada grabada en una cinta). Cuando no hay nada conectado a la entrada micrófono/línea (MIC/LINE), este atenuador fija el nivel de reproducción (es decir, el nivel de la señal de la cinta que se dirige hacia el mezclador estéreo). Para conseguir un mejor funcionamiento, el atenuador debería estar posicionado entre 7 y 8.
- ⑤ **Medidor de nivel:** Este LED medidor muestra el nivel de grabación y de reproducción. El nivel de grabación debería ser fijado de forma que el LED +6 se ilumine de vez en cuando al nivel máximo de entrada. El atenuador es el que fija el nivel de grabación.
- ⑥ **Indicador de Grabación (REC):** Este indicador muestra el modo de grabación.
  - Off** — El interruptor Selector de Grabación (REC SEL) está puesto en OFF (desactivado).
  - Parpadeante** — El interruptor Selector de Grabación (REC SEL) está puesto en alguna de las posiciones “on” (encendido) (es decir, está puesto en 1, 2, 3, 4, L o R, en cuyo caso la pista está preparada para grabar).
  - Lif** — La grabación está en marcha o en modo pausa.

- ⑦ **Interruptor Selector de Grabación (REC SEL):** Este interruptor selecciona la señal que se va a grabar.
- Off** — La grabación no está activada.
  - 1 (2, 3, 4)** — Se está grabando la señal de entrada micrófono/línea (MIC/LINE).
  - L (R)** — Se está grabando la señal del mezclador estéreo izquierda (derecha). Las señales izquierdas pueden ser grabadas en las pistas 1 y 3. Las señales derechas se pueden grabar en las pistas 2 y 4. Utilice estos ajustes para la grabación ping-pong.
- ⑧ **Guía de deslizamiento de CUE:** Este control fija el nivel CUE. El CUE permite ajustar el volumen del monitor independientemente de los ajustes del atenuador. Este control sólo resulta efectivo cuando el interruptor Selector de Monitor (MONITOR SELECT) está puesto o bien en Mezcla (MIX) o en CUE.
- ⑨ **Interruptor de Ganancia (GAIN):** Este interruptor fija la ganancia de la entrada micrófono/línea (MIC/LINE) para conseguir un rendimiento óptimo, dependiendo de qué sea lo que se conecte a la entrada micrófono/línea (MIC/LINE).
- Micrófono (MIC)** — Micrófonos, dispositivos de bajo nivel.
  - Medio** — guitarra eléctrica, bajo eléctrico.
  - Línea (LINE)** — sintetizador, máquina de batería, lector de discos compactos, dispositivos de alto nivel.
- ⑩ **Control de Retorno Auxiliar (AUX RETURN):** Este control fija el nivel de la señal de entrada de Retorno Auxiliar (AUX RETURN) (es decir, el nivel de la señal procesada desde un procesador de efectos externos) que vuelve hacia el mezclador estéreo.
- ⑪ **Interruptor Selector de Monitor (MONITOR SELECT):** Este interruptor determina la fuente de la señal para los Auriculares (PHONES) y para la salida de monitor (MONITOR OUT).
- Estéreo** — Este ajuste selecciona las señales Izquierda (L) y Derecha (R) controladas por el control Pan (el nivel de estas señales es ajustado por los atenuadores.)
  - Cue** — Esta fuente de señal es CUE (controlada por las guías de deslizamiento de CUE). Utilícelo para la grabación “overdub”.
  - Mix** — La fuente de la señal es el mezclador estéreo y el CUE. Utilícelo para la grabación punch in/out.
- ⑫ **Indicador de Alimentación (POWER):** Este indicador se ilumina cuando el MT50 ha sido encendido y está listo para su utilización.

- ⑬ **Control Monitor/Auriculares (MONITOR/PHONES):** Este control se utiliza para ajustar los niveles de salida de los Auriculares (PHONES) y del Monitor (MONITOR).

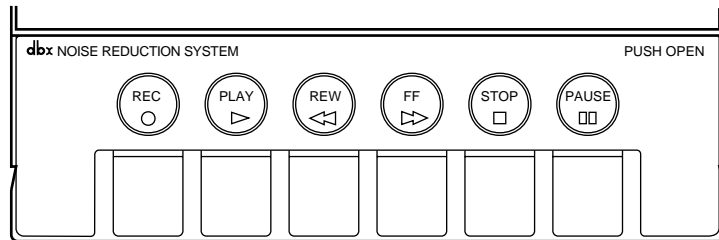


- ⑭ **Guía de deslizamiento de Tono (PITCH):** Este control se utiliza para ajustar la velocidad de la cinta en más o menos 10%. La posición central es la velocidad normal (9,5 cm/seg). En general, coloque esta guía de deslizamiento en la posición central.
- ⑮ **Interruptor dbx:** “dbx” es un sistema sofisticado de reducción de ruido que puede ayudarle a efectuar grabaciones con un sonido más claro. Este interruptor se utiliza para activar (ON) y desactivar (OFF) la reducción de ruido dbx. El interruptor tiene tres posiciones:
- OFF** — la reducción de ruido dbx está desactivada.
  - ON** — la reducción de ruido dbx está activada para todas las cuatro pistas.
  - SYNC** — la reducción de ruido dbx está activada para las pistas 1, 2 y 3, pero no para la 4. Utilice este ajuste cuando la pista 4 esté marcada por la señal FSK de funcionamiento sincronizado.

*Nota:* Si ha grabado usted una cinta con la reducción de ruido dbx puesta o bien en ON o en SYNC, asegúrese de utilizar ON o SYNC en la reproducción también. No cambie este ajuste a medias de una sesión de grabación.

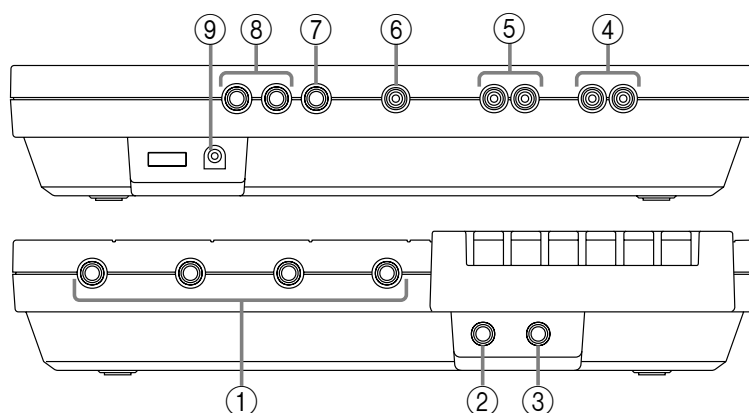
- ⑯ **Interruptor de Parada Cero (ZERO STOP):** Cuando está activado (ON), el rebobinado se detiene automáticamente a aproximadamente 999 (el botón de Rebobinado (REW) se mantiene presionado).
- ⑰ **Contador de cinta y botón de Restablecimiento (RESET):** El contador de cinta indica la posición de la cinta, haciendo fácil localizar puntos específicos de una canción. El botón de Restablecimiento (RESET) pone a 000 el contador de la cinta.

- ⑱ **Botones de control de la cinta:** Desde la izquierda hacia la derecha, sus funciones son grabar (REC); reproducir una cinta (PLAY), rebobinar la cinta (REW); detener la cinta (STOP); y hacer una pausa en la reproducción o en la grabación (PAUSE).



## Conexiones

- ① **Tomas de entrada de Micrófono/Línea (MIC/LINE):** Aquí se conectan para grabar micrófonos, instrumentos y fuentes de línea-nivel.
- ② **Tomas de Auriculares (PHONES):** Aquí se conecta un par de auriculares estéreo para permitirle controlar la grabación o reproducir las pistas.
- ③ **Toma PUNCH I/O:** Aquí se conecta un interruptor de pie opcional, tal como el Yamaha FC4 o FC5 para grabación punch in/out.
- ④ **Tomas de Salida Estéreo (STEREO OUT):** Durante la mezcla, la señal sale desde estas salidas hacia el registrador principal. Conecte estas salidas en las entradas del registrador principal.
- ⑤ **Tomas de Salida de Monitor (MONITOR OUT):** La señal del monitor sale desde estas tomas Izquierda/Derecha (L/R). Conecte un par de altavoces con amplificadores incorporados.
- ⑥ **Toma de Salida de Sincronización (SYNC OUT):** Esta toma deja salir la señal FSK para sincronizar el MT50 y un secuenciador MIDI o máquina de batería. Conecte un conversor MIDI-FSK tal como el Yamaha YMC10.
- ⑦ **Toma de Envío Auxiliar (AUX SEND):** La señal de envío auxiliar sale desde esta toma. Conecte esta toma a la entrada de un procesador de efectos externos, tal como el Yamaha FX770 o REV100.
- ⑧ **Tomas de Retorno Auxiliar:** Las señales de los efectos son devueltas a esta toma. Conecte esta toma a la salida de un procesador de efectos externos. Utilice la toma de entrada L(MONO) para señales de retorno monoaurales. Utilice las dos tomas Monoaurales Izquierda y Derecha (L(MONO), R) para las señales de retorno estereofónicas.
- ⑨ **Conector de Alimentación (POWER) de CC 12 V:** Conecte aquí el adaptador de CA.



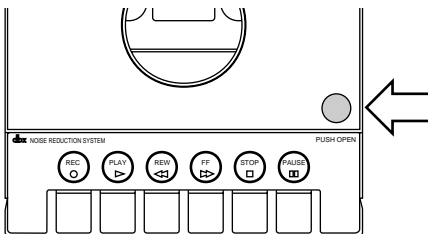
# 3

## Grabación Básica

Este capítulo explica cómo efectuar grabaciones “overdub” o de copiado encima. La grabación “overdub” es la base de todas las grabaciones multipista. Permite registrar pista a pista, mientras se escuchan pistas anteriormente grabadas. En el ejemplo siguiente utilizaremos una máquina de batería, bajo, guitarra y vocales. Usted puede, por supuesto, utilizar el instrumento que prefiera.

He aquí nuestra lista de pistas.

Pista	Instrumento	Otra información
1	Batería	Máquina de batería RYZZ. Canción #10 “I love you”
2	Bajo	Bajo de Dave con pedal de efectos de coro
3	Guitarra	“My strat through marsh-ball amp”
4	Vocal	Sandra con micrófono FM58



! **Advertencia:** Antes de efectuar ninguna conexión, desconecte todos los equipos.

! **Advertencia:** El adaptador de CA se debería conectar únicamente a un tomacorriente de CA del tipo de voltaje que se marca en el adaptador.

### Carga de cassettes en el MT50

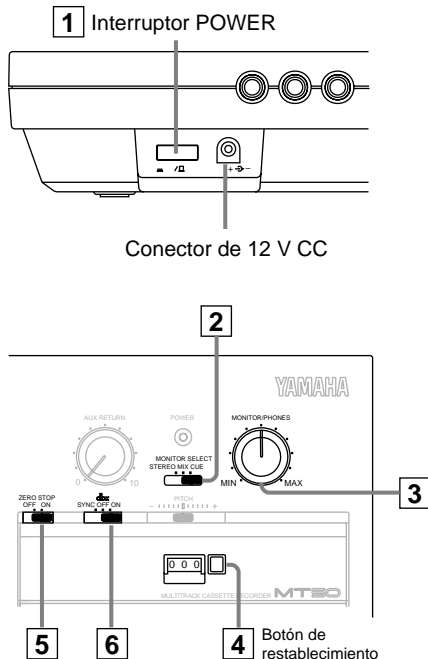
1. Introduzca cuidadosamente el cassette.
2. Conecte el adaptador de CA suministrado al conector de CC de 12V.
3. Enchufe el adaptador de CA en un tomacorriente de CA que sea adecuado.
4. Conecte un par de auriculares estereofónicos a la toma de Auriculares (PHONES), o conecte la toma de salida de monitor (MONITOR OUT) a los altavoces con amplificadores incorporados.

### Activado/Desactivado del Sistema

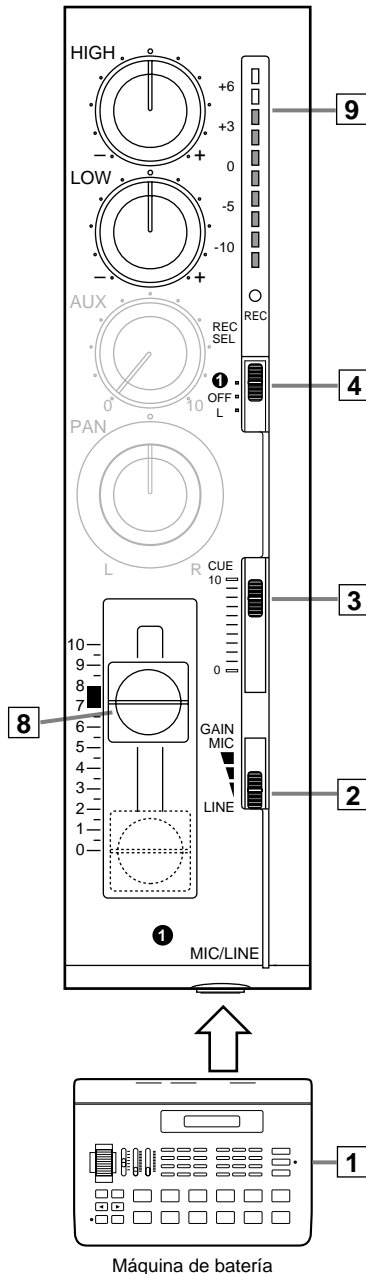
1. Presione el interruptor POWER para encender el MT50.  
El indicador POWER se ilumina.

### Preparación

2. Ponga el interruptor MONITOR SELECT en CUE.
3. Ponga el control MONITOR/PHONES aproximadamente a medio camino. Siempre se puede reajustar más tarde.
4. Presione el botón de restablecimiento para poner a cero el contador de cinta.
5. Ponga el interruptor ZERO STOP en ON.
6. Ponga el interruptor dbx en ON.



## Paso 1 — Grabación de la batería



1. Conecte la máquina de batería a la entrada 1 MIC/LINE.
2. Ponga el interruptor GAIN del Módulo 1 en LINE.
3. Ponga la guía de deslizamiento de CUE del Módulo 1 en aproximadamente 8.
4. Ponga el interruptor REC SEL del Módulo 1 en 1.  
El indicador REC comienza a parpadear.
5. Presione el botón PAUSE.
6. Presione el botón REC.  
El indicador REC se ilumina.
7. Ponga en marcha la máquina de batería.
8. Eleve gradualmente el atenuador del Módulo 1.  
Se debería poder oír la máquina de batería y el medidor de nivel del Módulo 1 debería iluminarse.
9. Ponga el atenuador de forma que la luz +6 se encienda ocasionalmente al nivel máximo de entrada.

*Nota:* Si el volumen de la máquina de batería es demasiado bajo y no se puede conseguir el nivel óptimo de grabación haciendo el ajuste del atenuador al máximo, ponga el atenuador a 0, y ponga el interruptor GAIN en la posición intermedia (para instrumentos). Eleve el atenuador otra vez y fíjelo tal como sea apropiado.

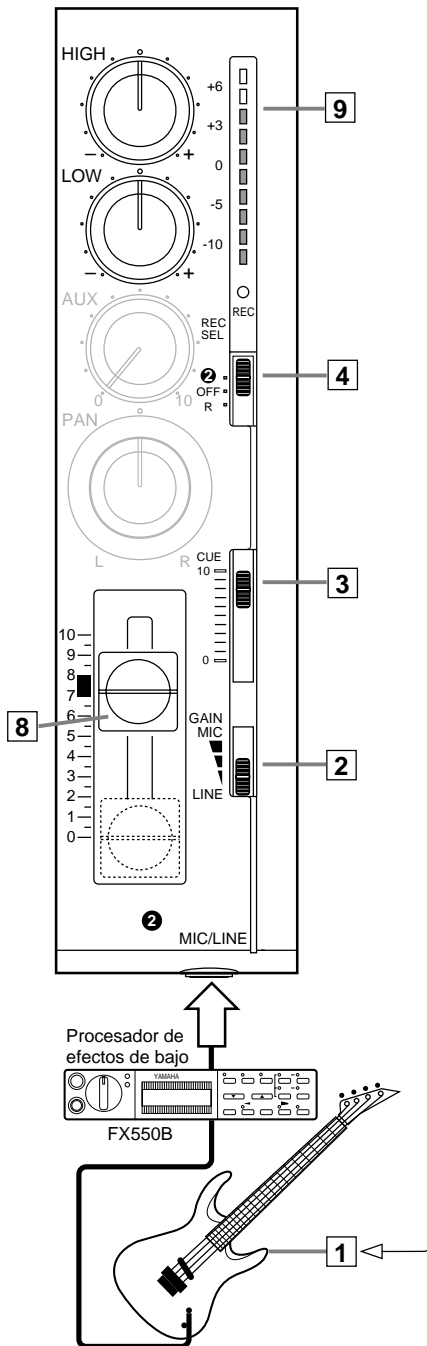
El atenuador del módulo se utiliza para fijar el nivel de grabación y debería ser fijado junto con el medidor de nivel. Utilice la guía de deslizamiento CUE y el control MONITOR/PHONES para ajustar los niveles de control. Estos controles afectan únicamente a las señales del monitor.

10. Presione el botón PAUSE para iniciar la grabación.
11. Ponga en marcha la máquina de batería.
12. Cuando haya finalizado la parte de la batería, presione STOP para detener la grabación.
13. Presione REW para rebobinar la cinta.  
Se detendrá automáticamente a aproximadamente 999, ya que se pone ZERO STOP en ON.
14. Ponga el interruptor REC SEL del Módulo 1 en OFF.  
El indicador REC deja de lucir.
15. Presione PLAY para escuchar la pista de la batería.  
Si a usted le gustan la pista, vaya a “Paso 2 — Grabación del Bajo” una vez finalizado este procedimiento. En el caso de que no le guste, vuelva a grabarlo.
16. Desconecte la máquina de batería.
17. Ponga el atenuador del Módulo 1 en 0.
18. Presione REW para rebobinar la cinta hasta 000.

! La canción que es más fácil de grabar es la que se inicia con una introducción de batería. Si su canción empieza con sonido de batería, bajos y sintetizadores en la primera barra, será necesario grabar una forma de recuento.



## Paso 2 — Grabación del Bajo



### 1. Conecte el bajo a la entrada 2 MIC/LINE.

*Nota:* Al conectar un instrumento con una alta impedancia de salida, tal como una guitarra eléctrica o un bajo al MT50 se puede aumentar el ruido y la distorsión e impedir la obtención de una grabación de alta calidad.

En el caso de que esto suceda, conecte una caja directa o unidad de efectos entre el instrumento y el MT50 para reducir la impedancia.

### 2. Ponga el interruptor GAIN del Módulo 2 en LINE.

### 3. Ponga la guía de deslizamiento CUE del Módulo 2 en aproximadamente 8.

### 4. Ponga el interruptor REC SEL del Módulo 2 en 2.

El indicador REC comienza a parpadear.

### 5. Presione el botón PAUSE.

### 6. Presione el botón REC.

El indicador REC se ilumina.

### 7. Mientras rasguea el bajo, eleve gradualmente el atenuador del Módulo 2.

Usted debería oír el bajo y el medidor de nivel se debería iluminar.

### 8. Ponga el atenuador de forma que la luz +6 se ilumine ocasionalmente al nivel de entrada máximo.

### 9. Para fijar los niveles CUE, presione el botón PAUSE para iniciar la grabación. (Se trata únicamente de una grabación provisional).

### 10. Mientras escucha la pista de la batería, toque el bajo y ponga las guías de deslizamiento de CUE de los Módulos 1 y 2 de forma que pueda oír claramente la batería y el bajo.

### 11. Presione REW para rebobinar la cinta hasta 000.

### 12. Presione el botón REC para iniciar la grabación.

El indicador REC se ilumina.

### 13. Toque la parte del bajo mientras escucha la pista de la batería.

### 14. Cuando haya finalizado la parte del bajo, presione STOP para detener la grabación.

### 15. Presione REW para rebobinar la cinta hasta 000.

### 16. Ponga el interruptor REC SEL del Módulo 2 en OFF.

El indicador REC se apaga.

### 17. Presione PLAY para escuchar la pista de la batería y la nueva pista del bajo.

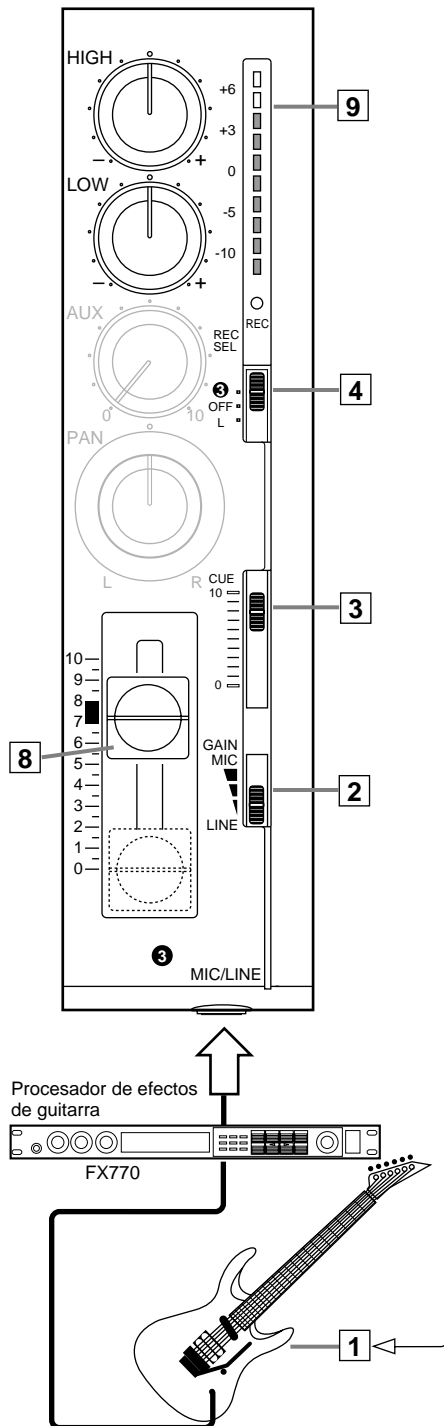
En el caso de que le guste la pista, vaya a “Paso 3 — Grabación de guitarra” una vez finalizado este procedimiento. En el caso de que no le guste, vuelva a grabarlo.

### 18. Desconecte el bajo.

### 19. Ponga el atenuador del Módulo 2 en 0.

### 20. Presione REW para rebobinar la cinta hasta 000.

## Paso 3 — Grabación de guitarra



### 1. Conectar la guitarra a la entrada 3 MIC/LINE.

*Nota:* Al conectar un instrumento con una alta impedancia de salida, tal como una guitarra eléctrica o un bajo al MT50 se puede aumentar el ruido y la distorsión e impedir la obtención de una grabación de alta calidad.

Como se explica en el paso 1 de la página 12, conecte una caja directa o unidad de efectos entre el instrumento y el MT50 para reducir la impedancia.

### 2. Poner el interruptor GAIN del Módulo 3 en LINE.

### 3. Poner la guía de deslizamiento de CUE del Módulo 3 en aproximadamente 8.

### 4. Poner el interruptor REC SEL del Módulo 3 en 3.

El indicador REC comienza a parpadear.

### 5. Presione el botón PAUSE.

### 6. Presione el botón REC.

El indicador REC se ilumina.

### 7. Mientras rasguea la guitarra eleve gradualmente el atenuador del Módulo 3.

Usted debería poder oír la guitarra y el medidor de nivel se debería iluminar.

### 8. Ponga el atenuador de forma que la luz 0 esté encendida la mayor parte del tiempo y la luz +6 se ilumine ocasionalmente.

### 9. Para fijar los niveles CUE, presione el botón PAUSE para iniciar la grabación. (Se trata únicamente de una grabación provisional).

### 10. Mientras escucha las pistas de la batería y del bajo, toque la guitarra y ponga las guías de deslizamiento de CUE de los Módulos 1, 2 y 3 de forma que pueda oír claramente la batería, los bajos y la guitarra.

### 11. Presione REW para rebobinar la cinta hasta 000.

### 12. Presione el botón REC para iniciar la grabación.

El indicador REC se ilumina.

### 13. Toque la parte de la guitarra mientras escucha las pistas de la batería y del bajo.

### 14. Cuando haya finalizado la parte de la guitarra, presione STOP para detener la grabación.

### 15. Presione REW para rebobinar la cinta hasta 000.

### 16. Ponga el interruptor REC SEL del Módulo 3 en OFF.

El indicador REC se apaga.

### 17. Presione PLAY para escuchar la pista de la batería, la pista del bajo y la nueva pista de la guitarra.

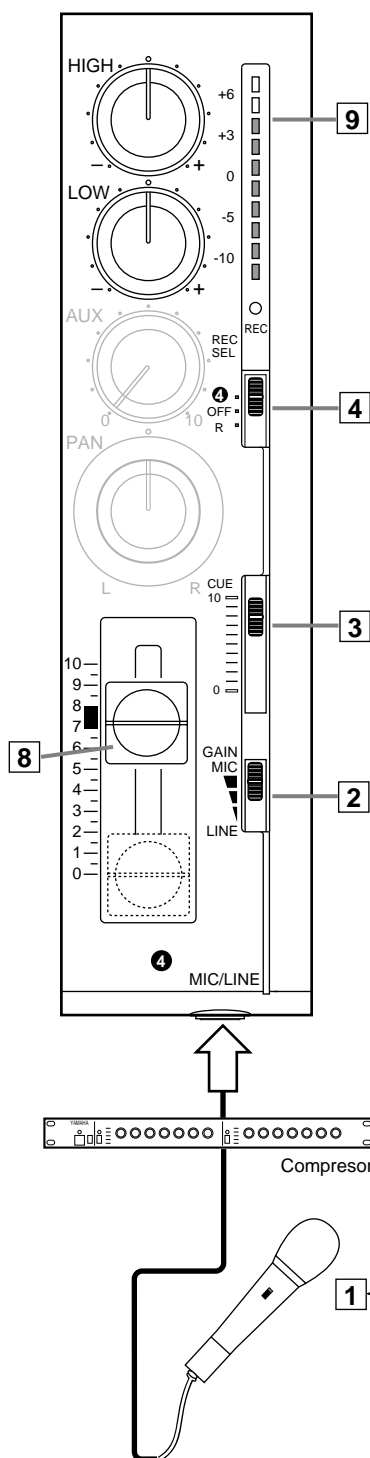
En el caso de que le guste la pista, vaya a “Paso 4 — Grabación de Vocales” una vez finalizado este procedimiento. En el caso de que no le guste, vuelva a grabarlo.

### 18. Desconecte la guitarra.

### 19. Ponga el atenuador del Módulo 3 en 0.

### 20. Presione REW para rebobinar la cinta hasta 000.

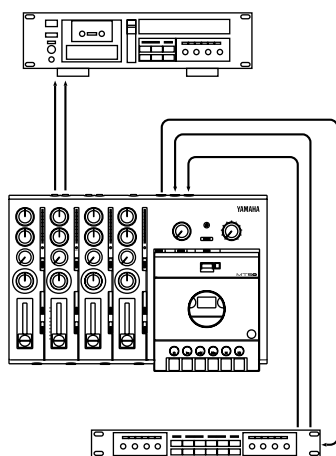
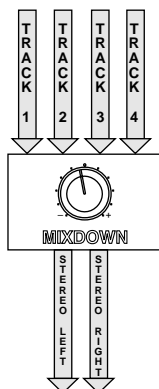
## Paso 4 — Grabación de Vocales



1. Conectar el micrófono a la entrada 4 MIC/LINE.
2. Poner el interruptor GAIN del Módulo 4 en MIC.  
El indicador REC comienza a parpadear.
3. Poner la guía de deslizamiento de CUE del Módulo 4 en aproximadamente 8.
4. Poner el interruptor REC SEL del Módulo 4 en 4.  
El indicador REC comienza a parpadear.
5. Presione el botón PAUSE.
6. Presione el botón REC.  
El indicador REC se ilumina.
7. Mientras canta con el micrófono eleve gradualmente el atenuador del Módulo 4.  
Usted debería poder oír el canto vocal y el medidor de nivel se debería iluminar.
8. Ponga el atenuador de forma que la luz 0 esté encendida la mayor parte del tiempo y la luz +6 se ilumine ocasionalmente.
9. Para fijar los niveles CUE, presione el botón PAUSE para iniciar la grabación. (Se trata únicamente de una grabación provisional).
10. Mientras escucha las pistas de la batería, el bajo y guitarra, cante con el micrófono y ponga las guías de deslizamiento de CUE de los Módulos 1, 2, 3 y 4 de forma que pueda oír todos los sonidos claramente.
11. Presione REW para rebobinar la cinta hasta 000.
12. Presione el botón REC para iniciar la grabación.  
El indicador REC se ilumina.
13. Cante la parte vocal mientras escucha las otras pistas.
14. Cuando haya finalizado presione STOP para detener la grabación.
15. Presione REW para rebobinar la cinta hasta 000.
16. Ponga el interruptor REC SEL del Módulo 4 en OFF.  
El indicador REC se apaga.
17. Presione PLAY para escuchar la pista de la batería, la pista del bajo, la pista de la guitarra y la nueva pista vocal.  
En el caso de que le guste la pista, vaya a “Paso 5 — Mezclas” una vez finalizado este procedimiento. En el caso de que no le guste, vuelva a grabarlo.  
Al llegar a este punto, la grabación ha finalizado.
18. Desconecte el micrófono.
19. Ponga el atenuador del Módulo 4 en 0.
20. Presione REW para rebobinar la cinta hasta 000.

! Utilice un compresor para igualar el nivel vocal.

! Vigile la retroalimentación. No coloque su micrófono demasiado cerca de los altavoces.



## Paso 5 — Mezclas

Las mezclas son un proceso de combinación de todas las cuatro pistas en una sola. Esta mezcla puede ser grabada en un registrador de cassettes estéreo o una máquina DAT. El MT50 es su registrador multipista; el segundo registrador de cintas servirá como “registrador principal”. Durante la mezcla, usted podrá determinar el tono de cada sonido usando el EQ de dos bandas, el sonido pan izquierdo y derecho y podrá equilibrar los niveles del atenuador.

## Preparación

1. Conecte STEREO OUT del MT50 a la entrada de su registrador de cassette principal.
2. Ponga los niveles de entrada de su registrador principal de forma adecuada.
3. Usted podrá conectar las salidas estéreo de su registrador principal a un amplificador de alta fidelidad, y conectar un par de altavoces al amplificador para controlar la mezcla.

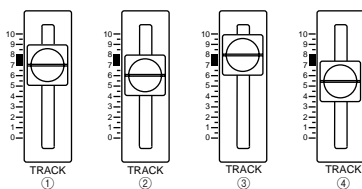
Como alternativa, usted puede usar un par de auriculares estéreo o un par de altavoces con amplificadores incorporados. La mejor elección es un par de altavoces con respuesta plana, no coloreados por bajos amplificados o ajustes de agudos.

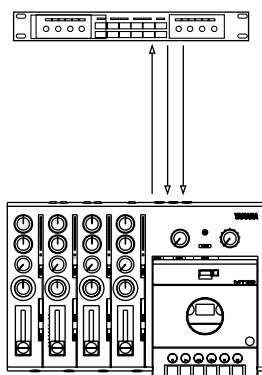
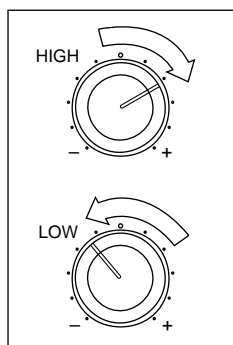
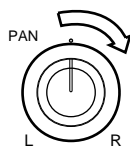
4. Usted puede conectar un procesador multi-efectos, tal como el Yamaha REV100 o FX770, entre las tomas AUX SEND y AUX RETURN.
5. Ponga el interruptor MONITOR SELECT en STEREO.
6. Asegúrese de que no se conecta nada a las entradas MIC/LINE.
7. Ponga los interruptores dbx y ZERO STOP de la forma que sea apropiada. En el caso de que usted continúe desde los anteriores pasos de grabación, se pueden quedar como están.

## Niveles de Balance

Antes de grabar la mezcla de estéreo en la cinta, es mejor ensayar unas pocas veces primero, y después grabarla cuando el sonido global sea convincente.

1. Ponga todos los atenuadores en aproximadamente 7.
2. Presione PLAY para iniciar la reproducción.
3. Utilizando los atenuadores, ajuste los niveles para crear una mezcla balanceada. Ni demasiado alta, ni demasiado baja.
4. Utilice el control de nivel MONITOR/PHONES para ajustar el volumen de control hasta un nivel óptimo.





## Panning

El panning le permite posicionar sonidos en la mezcla estereofónica (es decir, entre los altavoces izquierdo y derecho). No existen reglas a seguir para posicionar los instrumentos en la imagen estereofónica. Como experimento algunas de las primeras grabaciones de los Beatles consiguieron buenos efectos al hacer el panning de la parte vocal, por ejemplo, totalmente a la derecha (hard right), mientras que el bajo y la guitarra se colocaban totalmente a la izquierda (hard left).

1. **Ponga el control PAN a la izquierda para posicionar un sonido a la izquierda, y a la derecha para posicionar un sonido a la derecha.**

## Aplicación de EQ

El equalizador de dos bandas le permite reforzar o cortar tanto las frecuencias altas como las bajas. Asegúrese de poder oír las frecuencias altas deseables, como por ejemplo “hi-hats” en la pista de la batería. No deje que las frecuencias bajas, como por ejemplo la pista del bajo, se vuelvan demasiado retumbantes, ni cobren excesiva importancia en la mezcla.

1. **Utilice el control HIGH para reforzar y cortar altas frecuencias.**
2. **Utilice el control LOW para reforzar y cortar bajas frecuencias.**

## Añadiendo efectos

Si tiene usted un procesador de efectos, tal como el Yamaha REV100 o FX770, puede usted conectarlo al MT50 y aplicar efectos a los sonidos grabados.

1. **Conecte el AUX SEND a la entrada del procesador de efectos.**
2. **Conecte el AUX RETURN a las salidas del procesador de efectos.**

Si tiene usted un procesador de efectos estereofónicos, conecte los dos conectores AUX RETURN L (MONO) y R. Si su procesador de efectos tiene una salida monoaural, conecte el conector L(MONO).

3. **Suba un control AUX para enviar un sonido al procesador de efectos.**
4. **Suba el control AUX RETURN para añadir los sonidos procesados a la mezcla estereofónica.**

## Grabación de las mezclas

Una vez que esté usted satisfecho con la mezcla, estará usted listo para grabarla en el registrador principal.

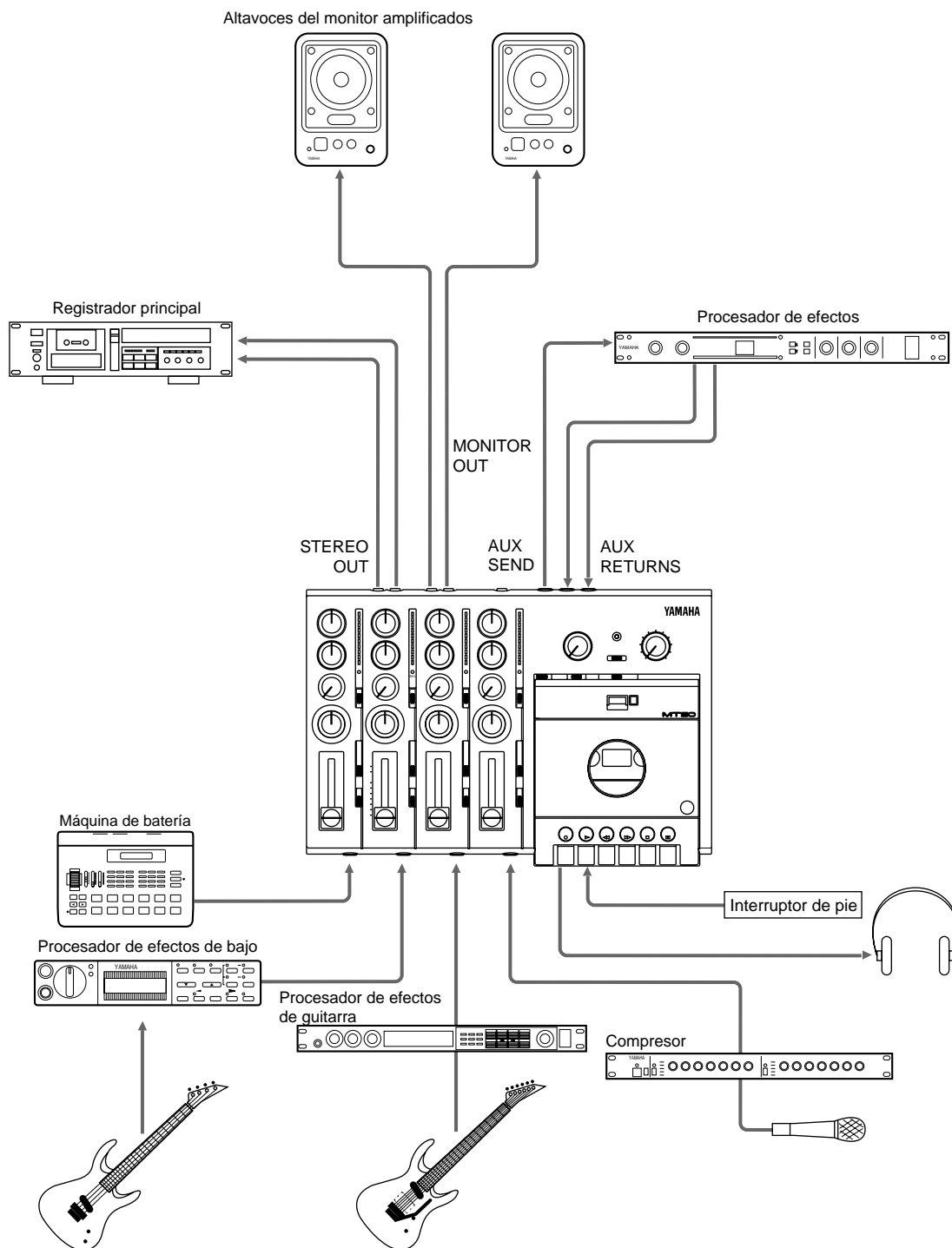
1. **Ponga el registrador principal listo para grabar.**
2. **Deje reproducir al MT50 y fije el nivel de grabación del registrador principal.**
3. **Detenga el MT50 y rebobine la cinta hacia atrás hasta aproximadamente 999.**
4. **Inicie la grabación en el registrador principal.**
5. **Presione PLAY en el MT50 para iniciar la reproducción.**

**!** Para evitar borrar accidentalmente su grabación original, quite las lengüetas de protección de borrado de las dos caras del cassette de audio que haya utilizado con el MT50.

La mezcla estereofónica se graba en el registrador principal.

6. Al final de la canción, detenga el MT50 y el registrador principal.
7. Rebobine el registrador principal y reproduzca su obra maestra.

## Ejemplo de conexiones



# 4

## Grabación Avanzada

---

Este capítulo explica cómo efectuar técnicas de grabación avanzada multi-pista en su MT50. El MT50 es tan flexible que se pueden efectuar técnicas sofisticadas de grabación con relativa facilidad en una máquina sencilla y compacta. Lea a continuación cómo efectuarlo.

### Grabación One Take

Esta técnica de grabación se utiliza para grabar varios instrumentos al mismo tiempo. Es extremadamente útil para grabar actuaciones en vivo. Usted puede grabar los instrumentos directamente y aplicar la reverberación y otros efectos durante las mezclas en un estudio de grabación.

También puede usted utilizar esta técnica para grabar cuatro instrumentos en vivo en dos pistas, dejando un par de pistas libres. O bien, puede usted grabar una parte compleja de sonido de batería, conectando con micrófono tres percusiones por separado. Después, se pueden mezclar las pistas en una parte rítmica muy sofisticada, y hacer ping-pong hacia la pista abierta. Finalmente, también se puede usar esta técnica para retener la colocación estereofónica de los dispositivos estereofónicos programables MIDI.

### Grabación Ping Pong

La grabación Ping Pong toma su nombre del juego de salón que consiste en una pequeña pelota blanca que rebota. Le permite combinar las pistas anteriormente grabadas al mezclarlas unas con otras y grabarlas (o “hacerlas rebotar”) en una pista no grabada. Mientras que la grabación básica “over-dub” le permite grabar cuatro veces, esta técnica le permite grabar, en teoría, un número ilimitado de pistas. Esto se debe a que cada vez que se hace el ping-pong, se dejan pistas libres para otras grabaciones. Debido a las limitaciones de cinta magnética, sin embargo, se puede grabar solo varias veces antes de que las pistas se deterioren debido a la pérdida generacional. (En otras palabras, el grabar una y otra vez producirá un desgaste en la cinta hasta que las pistas pierdan su energía).

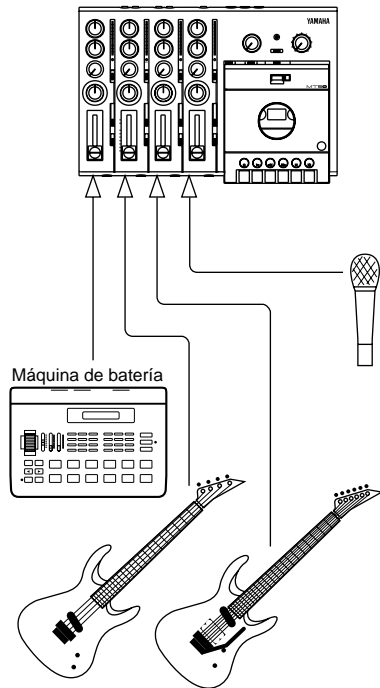
### Grabación Punch In/Out

Esta técnica se utiliza para volver a grabar partes cortas, corregir errores, o añadir secciones nuevas a pasajes silenciosos. Se toca la parte correspondiente mientras se hace el punching in y out (pinchar en medio de la grabación) para iniciar y detener la registradora. Si usted tiene un interruptor de pie, se puede hacer el punch in y out utilizando el pie. De esta forma las manos estarán libres para tocar música. Es una manera muy interesante de crear un fantástico solo de guitarra. Usted podrá seguir re-grabando pasajes difíciles hasta que el resultado sea el deseado.

### Sincronización

Al grabar una señal FSK en la pista 4, usted podrá sincronizar el MT50 con una máquina de batería o con un secuenciador MIDI. Con esta técnica, no

necesitará grabar instrumentos MIDI en la cinta. Ahorrará pistas debido a que la señal FSK disparará los instrumentos MIDI, expandiendo de forma eficaz los arreglos de sus canciones. Esta técnica necesita un convertidor MIDI a FSK, tal como el Yamaha YMC10.



## Grabación One Take

El MT50 le permite grabar hasta cuatro instrumentos al mismo tiempo. Lo cual resulta útil para grabar una banda actuando en vivo, como se ha explicado anteriormente. Basta con grabar los instrumentos directamente en los módulos de entrada del 1 al 4 y con añadir efectos durante la mezcla.

1. **Conecte un instrumento a las entradas de 1 a 4 de MIC/LINE.**
2. **Ponga los interruptores GAIN para los Módulos del 1 al 4 como sea apropiado.**
3. **Coloque la guía de deslizamiento de CUE de cada módulo en aproximadamente 8.**
4. **Coloque el interruptor REC SEL de cada módulo en su número (1, 2, 3 ó 4).**

El indicador REC comienza a parpadear para cada módulo.

5. **Presione el botón PAUSE.**
6. **Presione el botón REC.**

El indicador REC se ilumina.

7. **Empiece con la banda.**
8. **Eleve gradualmente el atenuador de cada módulo.**

Usted debería poder oír la banda y el medidor de nivel de cada módulo se debería iluminar.

9. **Coloque el atenuador de cada módulo de forma que la luz 0 esté encendida la mayor parte del tiempo y la luz +6 se encienda ocasionalmente.**

El atenuador del módulo se utiliza para fijar el nivel de grabación y se debería fijar en conjunción con el medidor de nivel. Utilice la guía de deslizamiento de CUE y el control MONITOR/PHONES para ajustar los niveles de control. Estos controles afectan únicamente a las señales del monitor.

10. **Presione el botón PAUSE cuando esté listo para iniciar la grabación.**
11. **Empiece con la banda.**
12. **Cuando la canción haya finalizado, presione STOP para detener la grabación.**
13. **Presione REW para rebobinar la cinta.**
14. **Haga las mezclas tal como se describe en la página 15.**

Usted puede añadir efectos por separado para cada canal, ajustar los controles pan, y equilibrar los atenuadores para alcanzar los resultados deseados. También puede añadir reverberación a la mezcla completa para obtener una grabación cuidada y de sonido profesional.



## Técnicas avanzadas de grabación One Take

¿Qué sucede cuando se quieren grabar instrumentos musicales o dispositivos electrónicos que producen un sonido estereofónico? Con solo cuatro pistas, enseguida se acaban las opciones.

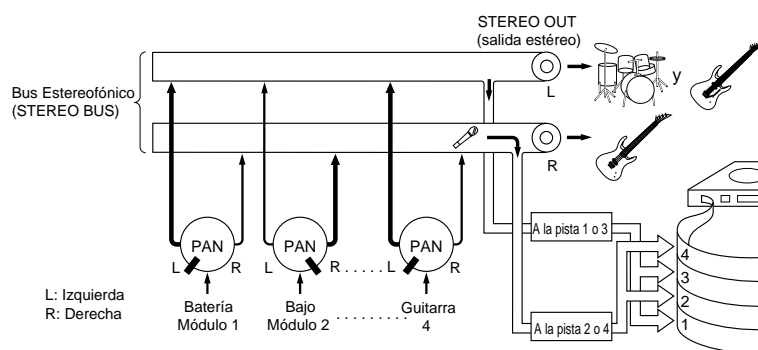
Existe otro problema adicional. Cualquier matiz espacial - las sutilezas que se puede desear hacer al posicionar los sonidos en la imagen estereofónica izquierda a derecha - se puede perder si se tiene solamente una pista reservada para la máquina de batería.

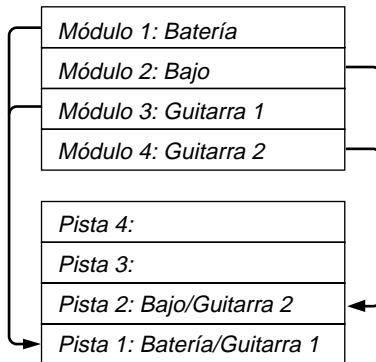
Las capacidades especiales de grabación One Take del MT50 que se explica a continuación le permitirán efectuar algunas pequeñas trampas para resolver estos problemas. Estas técnicas cuentan con la capacidad sofisticada del MT50 de controlar la colocación del sonido en la imagen estereofónica, y su capacidad de rebotar múltiples pistas izquierdas y derechas hacia una mezcla de dos pistas estereofónicas.

Todo esto suena complicado, pero es fácil de realizar. Básicamente requiere solo dos controles: el interruptor Selector de Grabación (REC SEL) y el control PAN. Por ejemplo:

- Se pueden grabar cuatro instrumentos al mismo tiempo, pero utilizando solo dos pistas en el proceso.
- Muchas máquinas de batería, secuenciadores y sintetizadores producen un sonido estereofónico. Tal vez se haya consumido mucho tiempo programando una máquina de batería para que diferentes sonidos de batería (bajo, cuerda de un tambor, etc) sean posicionados a izquierda o derecha en la imagen estereofónica. De esta forma se puede conseguir una parte de batería grabada mucho más dinámica. Utilizando esta técnica, se puede preservar la colocación estereofónica de una máquina de batería previamente programada o de un sintetizador sin quedarse sin pistas.
- Tal vez se desee crear un efecto de guitarra estereofónica utilizando, por ejemplo, un coro estéreo conectado a dos amplificadores de guitarras con diferentes características tonales o tiempos de retrasos. Entonces, se puede grabar esta salida estéreo en dos pistas para que los canales izquierdo y derecho de su solo de guitarra tengan un tono diferente. Si usted hace rebotar el solo a una sola pista, perdería la colocación izquierda derecha de los dos tonos de su guitarra, destruyendo esencialmente lo conseguido con su esfuerzo. Al utilizar esta técnica, usted podrá preservar los matices estereofónicos de su solo.

El diagrama siguiente ilustra de qué forma las señales de cada control PAN son dirigidas hacia el bus estereofónico (los dos tubos horizontales y gruesos del diagrama) y se les da salida a través de las tomas STEREO OUT. Es decir, cada control PAN funciona como un “indicador de giro” que dirige las señales hacia el bus estereofónico. En las páginas siguientes se explicará cómo grabar cuatro instrumentos musicales en dos pistas, y cómo mantener una imagen estereofónica de dos instrumentos en una grabación. Tal como muestra el diagrama, la salida Izquierda (L) se envía a las pistas 1 y 3, y la salida Derecha (R) se envía a las pistas 2 y 4.2.





! En este ejemplo, hacemos el panning totalmente a la derecha (*hard right*) y totalmente a la izquierda (*hard left*). Se hace solamente para que las cosas sean sencillas. Experimente con la colocación estereofónica. Intente hacer el panning parcialmente a la derecha o parcialmente a la izquierda para crear una imagen estereofónica interesante.

## Grabación con cuatro instrumentos en dos pistas en One Take

En el caso de que quiera grabar la batería, el bajo, la guitarra rítmica y la guitarra “lead” al mismo tiempo mientras deja un par de pistas abiertas para ser usadas más adelante.

**1. Conecte el micrófono de batería a la entrada MIC/LINE del Módulo 1; el bajo al Módulo 2; la guitarra rítmica al Módulo 3 y la guitarra “lead” al Módulo 4.**

**2. Ajuste los interruptores GAIN, los controles de monitor y los atenuadores de entrada tal como se ha explicado en el “Capítulo 3: Grabación Básica”.**

**3. Ponga el interruptor REC SEL para cada módulo, tal como sigue:**

Ponga el interruptor REC SEL para el Módulo 1 en “L”.

Ponga el interruptor REC SEL para el Módulo 2 en “R”.

Ponga el interruptor REC SEL para el Módulo 3 en “OFF”.

Ponga el interruptor REC SEL para el Módulo 4 en “OFF”.

Con esta configuración, las Pistas 3 y 4 no se grabarán, la Pista 1 grabará el canal estereofónico izquierdo, y la Pista 2 grabará el canal estereofónico derecho.

**4. Ponga los controles PAN para la colocación estéreo de cada instrumento:**

Ponga el control PAN para el Módulo 1 en “L”.

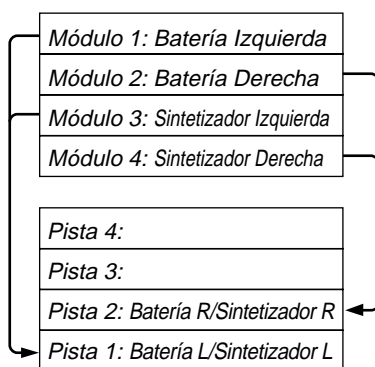
Ponga el control PAN para el Módulo 2 en “R”.

Ponga el control PAN para el Módulo 3 en “L”.

Ponga el control PAN para el Módulo 4 en “R”.

**5. Presione el botón REC y comience con la banda.**

Los instrumentos que ha conectado a las entradas 1 y 3 se combinarán en la Pista 1. Los instrumentos que ha conectado a las Entradas 2 y 4 se combinarán en la Pista 2. Las Pistas 3 y 4 estarán disponibles para conseguir grabaciones adicionales.



! Se pueden grabar hasta tres instrumentos musicales estereofónicos diferentes conectando el tercer instrumento estereofónico a las tomas AUX RETURN.

## Conservación de la Imagen Estereofónica de dos Instrumentos

1. Conecte un instrumento estereofónico a las entradas MIC/LINE para los Módulos 1 y 2 (salida L para el Módulo 1, salida R para el Módulo 2).
2. Conecte otro instrumento estereofónico a las entradas MIC/LINE para los Módulos 3 y 4 (salida L para el Módulo 3, salida R para el Módulo 4).
3. Ajuste el interruptor GAIN, los controles de monitor, y los atenuadores de entrada tal como se ha explicado en el “Capítulo 3: Grabación Básica”.

4. Ponga el interruptor REC SEL para cada módulo, tal como sigue:

Ponga el interruptor REC SEL para el Módulo 1 en “L”.  
 Ponga el interruptor REC SEL para el Módulo 2 en “R”.  
 Ponga el interruptor REC SEL para el Módulo 3 en “OFF”.  
 Ponga el interruptor REC SEL para el Módulo 4 en “OFF”.

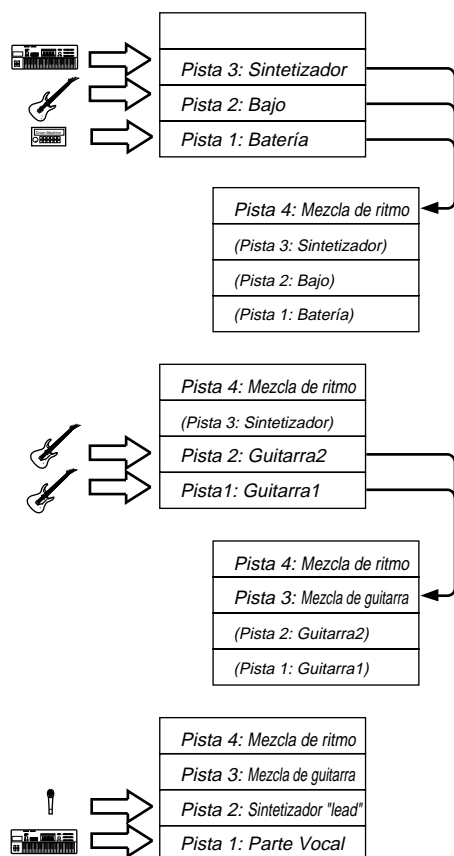
5. Ponga los controles PAN para retener la colocación estéreo de cada instrumento en la mezcla tal como sigue:

Ponga el control PAN para el Módulo 1 en “L”.  
 Ponga el control PAN para el Módulo 2 en “R”.  
 Ponga el control PAN para el Módulo 3 en “L”.  
 Ponga el control PAN para el Módulo 4 en “R”.

6. Presione el botón REC y comience a tocar los dos instrumentos estereofónicos.

El canal izquierdo de cada instrumento estereofónico será mezclado en la Pista 1. El canal derecho de cada instrumento será mezclado en la Pista 2. Las Pistas 3 y 4 estarán disponibles para realizar grabaciones adicionales.

! El procedimiento hacia la derecha se detiene después de que haga- mos el ping-pong de las Pistas 1, 2 y 3 hacia la Pista 4. Sin embargo, no hay necesidad de detenerse ahí, tal como sugiere la siguiente ilustración. Al rebotar repetidamente hacia distintas pistas, usted puede conseguir que su MT50 suene como lo haría un estudio de grabación de diez (o más) pistas.



! No se pueden aplicar efectos a ni ajustar el balance de las pistas que se han mezclado durante la grabación Ping-Pong.

Recomendamos hacer cualquier ajuste necesario antes de la grabación Ping-Pong.

## Grabación Ping-Pong

La grabación ping-pong le permite rebotar pistas anteriormente grabadas hacia una pista no grabada. Utilizando esta técnica, se puede crear una grabación con más de cuatro pistas.

En esta sección se explican dos aplicaciones: ejemplo 1, mezcla de las Pistas 1, 2 y 3 con la Pista 4; y ejemplo 2, grabación "overdubbing" de una nueva fuente de sonido durante la grabación Ping-Pong.

Con lo cual se quedarán libres las Pistas 1, 2 y 3 para grabar instrumentos adicionales, solos o vocales.

### Ejemplo 1:

1. **Empiece por grabar un instrumento diferente en cada una de las Pistas 1, 2 y 3.**

Por ejemplo, se podrían grabar batería, bajos y sintetizadores (o sustituir otros instrumentos). Vea el Capítulo 3: Grabación Básica y allí hallará más información al respecto. No olvide fijar el interruptor ZERO STOP.

2. **Rebobine la cinta para iniciar la canción.**

3. **Desconecte cualquier instrumento que pueda estar conectado a las entradas MIC/LINE para las Pistas 1, 2 y 3.**

4. **Ponga el interruptor MONITOR SELECT en CUE.**

5. **Ponga el control MONITOR/PHONES aproximadamente en un punto intermedio.**

Ajuste después los monitores para que no estén demasiado fuertes o demasiado suaves.

6. **Pase los controles PAN para los Módulos 1, 2 y 3 totalmente a la derecha (R).**

La señal de los módulos 1, 2 y 3 es dirigida a la salida R del bus estéreo-fónico.

7. **Ponga el interruptor REC SEL para los Módulos 1, 2 y 3 en OFF.**

No deseamos grabar nada encima de las pistas que ya han sido grabadas.

8. **Ponga el interruptor REC SEL para el Módulo 4 en R.**

El indicador REC para el Módulo 4 está parpadeando.

De esta manera, se podrán grabar las Pista 1, 2 y 3 en la Pista 4.

9. **Ponga los atenuadores para los Módulos 1, 2 y 3 en aproximadamente 7.**

10. **Ponga el nivel CUE del Módulo 4 en aproximadamente 7.**

11. **Presione el botón REC para iniciar la grabación provisional.**

12. **Ajustar el nivel de grabación de la Pista 4, mientras se hace el balance del volumen de las Pistas 1-3.**

Utilizar los atenuadores de los módulos 1, 2 y 3 para ajustar el balance de nivel de forma que el medidor de nivel +6 del Módulo 4 se ilumine durante un momento.

13. **Una vez que se haya determinado la posición correcta del atenuador de entrada de los Módulos 1-3, repita el proceso para la grabación ping-pong final.**

Se puede utilizar este proceso una vez más para combinar y mezclar tres pistas en una. Desafortunadamente, la calidad del sonido se deteriorará rápidamente después de un par de rebotes. Utilizando esta técnica, el MT50 podrá funcionar como si tuviera muchas más de cuatro pistas.

Se puede efectuar la grabación Ping-Pong de las Pistas 1, 2 y 3, y simultáneamente hacer la grabación “overdub” de un instrumento conectado al Módulo 4.

El procedimiento es casi el mismo que el descrito anteriormente (1–13), excepto en cuanto a los siguientes pasos:

### **Ejemplo 2:**

**3'. Conecte un instrumento al Módulo 4.**

**6'. Ponga el control PAN para el Módulo 4 completamente a la derecha (R).**

**12'. Ajuste el nivel de grabación de la Pista 4 de forma que el medidor de nivel +6 para el Módulo 4 se ilumine unos momentos, mientras se hace el balance del volumen de las Pista 1–4 utilizando los atenuadores.**

**!** Ponga más bajos los atenuadores de las pistas que no desee incluir en la mezcla cuando esté haciendo la grabación Ping-Pong.

***Nota:** Evite la grabación ping-pong en una pista adyacente (por ejemplo, rebotando la pista 2 a la pista 1 o a la pista 3) siempre que sea posible. De no ser así, la interferencia entre los canales (fuga de señal en el cabezal de grabación) puede causar retroalimentación.*

*Cuando está usted haciendo una grabación Ping-Pong hacia una pista adyacente, ajuste cuidadosamente el nivel de grabación. No amplifique la Equalización Alta (HIGH EQ) demasiado.*

*También recomendamos activar el dbx (ON) para evitar la retroalimentación en todo lo posible.*

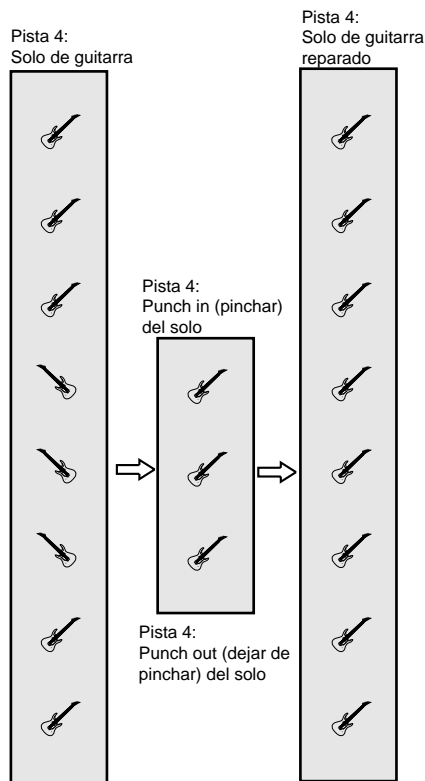
## Grabación Punch In/Out

Esta técnica se utiliza para volver a grabar, principalmente para corregir errores al volver a grabar una parte corta de la cinta en una pista.

Por ejemplo, supongamos que acabamos de tocar un gran solo de guitarra encima de algunas pistas con ritmos básicos, pero se han fallado un par de notas en la Barra 4. El solo fue grabado en la Pista 4. (Otros instrumentos ocupan las Pistas 1, 2 y 3).

Se podría hacer el punch-in (pinchar) al comienzo de la barra 4, volver a tocar la pieza (esta vez tocando cada nota correctamente) y hacer el punch-out (dejar de pinchar) al final de la Barra 4. Al escuchar la reproducción del solo las partes pinchadas quedan perfectas. Nadie sabrá nunca que la primera vez la pieza no fue tocada correctamente.

Usted puede pinchar y dejar de pinchar (punch in, out) con o sin un interruptor de pie. En esta sección se explican los dos métodos, pero se recomienda utilizar el interruptor de pie, ya que es más cómodo accionar con el pie.



! Asegúrese de volver a tocar suficiente parte de su solo para que fluya suavemente.

! Practique el tocar junto con su solo de guitarra unas pocas veces al final de la Barra 4 para prepararse para el punch-in real. Practique el tiempo que emplea, e intente que la nueva actuación que se grabará en la Barra 4 se mezcle suavemente con la toma existente. Cuando esté satisfecho, rebobine la cinta.

! Yamaha proporciona un interruptor de pie opcional, el FC-5. Tenga en cuenta que si utiliza un interruptor de pie que no sea de Yamaha puede ocasionar un sonido difuso.

### Grabación Punch In/Out utilizando un interruptor de pie:

1. Conecte un interruptor de pie a la toma PUNCH I/O.
2. Ponga los interruptores REC SEL para los Módulos 1, 2 y 3 en OFF.
3. Ponga el interruptor REC SEL para el Módulo 4 en "4".

El indicador REC de la Pista 4 comenzará a parpadear.

4. Ponga el interruptor MONITOR SELECT en MIX.
5. Asegúrese de que el control MONITOR/PHONES está ajustado tal como estaba anteriormente.
6. Asegúrese de que el atenuador de entrada para el Módulo 4 está fijado al mismo nivel al que estaba durante la toma original de su solo de guitarra.

Si se graba el punch-in a un volumen diferente, no se mezclará en la pista previamente grabada y al editarlo se notará claramente.

7. Presione el botón PLAY para tocar la canción durante el punch-in real.
8. Toque junto con su solo de guitarra, o prepárese para empezar con el tempo (ritmo) al comienzo de la Barra 4.

Llevar el ritmo con el pie puede ayudar mucho.

9. Al comienzo de la Barra 4, presione el interruptor de pie para iniciar la grabación sobre la Pista 4. Toque la Barra 4 de su solo. En ese momento, el indicador REC del Módulo 4 se iluminará.

El tiempo empleado es crítico. Si comienza demasiado pronto, borrará el material grabado antes en la Barra 4... lo que deseaba conservar.

10. Al final de la Barra 4, pise el interruptor de pie. El indicador REC del Módulo 4 parpadeará.

Una vez más, el tiempo empleado es crítico. Si usted pisa el interruptor de pie para detener la grabación demasiado tarde, borrará el material posterior a la Barra 4.

### Grabación Punch In/Out sin utilizar un interruptor de pie:

El procedimiento básico es el mismo que el que se emplea con un interruptor de pie, excepto en cuanto a los pasos siguientes:

- 1'. (Sin conexión).
- 9'. Fije el interruptor REC SEL mientras mantiene presionado el botón PLAY en 4 al comienzo de la barra 4, empiece a grabar en la Pista 4 y toque el instrumento.
- 10'. Cuando llegue al final de la Barra 4, ponga el STOP en OFF (desactivado).

### Utilización de una Hoja de Seguimiento

La ilustración siguiente muestra cómo rellenar una Hoja de Seguimiento. Usted puede escribir qué instrumentos se han tocado en cada pista y marcar los ajustes de los panpots y los atenuadores a modo de referencia futura. En el anexo aparece una Hoja de Seguimiento en blanco. Fotocópiela para poder usarla repetidas veces. La información puede resultar valiosa más adelante cuando desee recrear un sonido en particular.

A	Track	Instrument	Other Info	High	Low	Aux	Pan	Fader	Start	Stop	To Track
	1	Máquina de batería	Programa 012					7	000	350	B-4
	2	Bajo	Alembic a través de Ampeg					7	000	350	B-4
	3	Guitarra rítmica	Gibson ES-225, Mesa Boogie					7	064	350	B-2
	4	Guitarra "Lead"	57 Strat, tweed Princeton					8	172	280	B-2

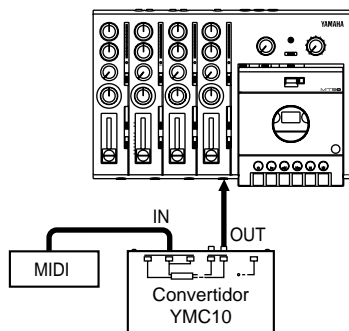
B	Track	Instrument	Other Info	High	Low	Aux	Pan	Fader	Start	Stop	To Track
	1										
	2	Mezcla de guitarra	ES-225 y Strat						064	350	
	3										
	4	Batería/Bajo	Pista de ritmo						000	350	

## Sincronización

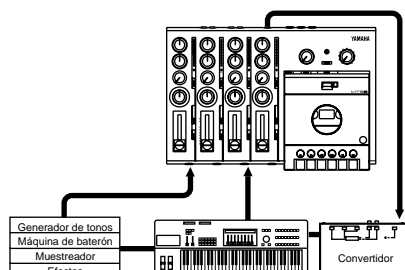
Grabando un código de tiempo en la Pista 4, usted podrá sincronizar el MT50 con un secuenciador MIDI o una máquina de batería.

(FSK son las iniciales de Teclado de Cambio de Frecuencia, si esto les intrigaba. Es un tipo de dato del ritmo de actuación de MIDI. La pista que contiene la señal FSK es un poco como el director de una orquesta que controla el ritmo de los secuenciadores o máquinas de batería).

Si esto se puede aplicar a su secuenciador o máquina de batería, compre un convertidor Yamaha YMC10 MIDI FSK y conéctelo entre el secuenciador MIDI o la máquina de batería y el MT50.



! Se puede tomar la salida del sonido desde el instrumento MIDI y grabarla en cualquier pista abierta, sincronizando el sonido de MIDI con el de su propia actuación.



! Para asegurarse de que se hace correctamente la grabación sincronizada.

Estudie los puntos siguientes para asegurarse de que la grabación sincronizada se efectúa correctamente.

- Ajuste el nivel de grabación de la señal FSK de la pista 4 entre 0 y +3 dB.
- Cuando el interruptor dbx está puesto en "SYNC", no grabe música en la pista 4.
- Intente no grabar música en una pista (pista 3) adyacente durante la grabación sincronizada (cuando esté reproduciendo la señal FSK en la pista 4).

1. **Conecte la salida de sincronización del cassette (Tape Sync Out) del YMC10 a la entrada MIC/LINE del Módulo 4.**
2. **Ponga el reloj de sincronización de su dispositivo MIDI en "Internal".**
3. **Ponga el atenuador de entrada del Módulo 4 en aproximadamente 8.**
4. **Ponga el interruptor dbx en la posición SYNC o en la posición OFF (desactivado).**

Cuando el interruptor dbx está puesto en SYNC, las Pistas 1, 2 y 3 están puestas en dbx ON. La Pista 4 está desactivada (OFF).

5. **Ponga el interruptor REC SEL para los Módulos 1, 2 y 3 en "OFF". Ponga el interruptor REC SEL para el Módulo 4 en "4".**

El indicador REC para el Módulo 4 está parpadeando.

6. **Presione el botón REC.**  
El indicador REC se ilumina.
7. **Toque su secuenciador o máquina de batería y grabe una señal FSK durante el tiempo que dure la canción.**

8. **Cuando haya finalizado, quite el cable del Módulo 4.**

9. **Rebobine la cinta.**

10. **Conecte la toma de salida de sincronización del MT50 (Sync Out) a la toma de entrada de sincronización del cassette (Tape Sync In) del YMC10.**

11. **Prepare su secuenciador MIDI o máquina de batería para una reproducción sincronizada.**

(Ponga el reloj de sincronización de su dispositivo MIDI en "MIDI".) Consulte el manual que le han entregado con el secuenciador o máquina de batería y allí hallará más información.

12. **Presione el botón PLAY del MT50.**

Su secuenciador MIDI o máquina de batería será activada por la salida de la señal de sincronización desde el MT50.

13. **Toque junto con las partes MIDI utilizando su guitarra, voz, piano, etc, y grábelo utilizando las técnicas básicas ya explicadas.**



# Anexo

## Localización de Fallos

Si a encontrado usted dificultades al utilizar el MT50, o parece que no funciona como debiera, estudie los síntomas que aparecen en la siguiente tabla y así verá qué debe hacer.

Síntoma	Qué hacer
<b>El MT50 no se puede encender (ON)</b>	Asegúrese de que el adaptador de CA está conectado a un tomacorriente de CA apropiado.
	Asegúrese de que el adaptador de CA está conectado al conector de 12 V CC del MT50.
	Asegúrese de que el interruptor POWER del panel trasero del MT50 está activado (ON).
	Si aún así el MT50 no se puede encender, póngase en contacto con su distribuidor Yamaha.
<b>No graba</b>	Asegúrese de que haya un cassette cargado.
	Asegúrese de que la cinta no está enrollada completamente hasta el fin.
	Asegúrese de que las lengüetas de protección de borrado del cassette están intactas.
	Compruebe que el interruptor REC SELECT está en posición adecuada.
<b>Las grabaciones tienen ruido o están distorsionadas</b>	Cuando esté grabando, asegúrese de poner el atenuador de forma que la luz 0 esté encendida la mayor parte del tiempo y la luz +6 esté encendida ocasionalmente. Si el nivel de la señal es demasiado bajo, la grabación puede tener ruido. Si es demasiado alto, se pueden producir distorsiones.
<b>Las grabaciones suenan apagadas, tienen ululaciones y vibraciones parásitas, o son de mala calidad.</b>	Asegúrese de utilizar cassettes de cromo de alta calidad Tipo II (High Bias 70 $\mu$ s EQ).
	Limpie los cabezales y el mecanismo de la cinta. Consulte "Mantenimiento del MT50" en la página 29.
	Pruebe con un cassette nuevo.
<b>No reproduce</b>	Asegúrese de que el cassette esté cargado correctamente.
	Asegúrese de que la cinta no está enrollada completamente hasta el fin.
<b>Las grabaciones se reproducen a un tono que no es el correcto</b>	Asegúrese de que no ha cambiado la posición de la guía de deslizamiento PITCH desde que hizo la grabación.
<b>No se puede enviar señales al procesador de efectos externos, o el procesador de efectos no aplica correctamente un efecto.</b>	Suba el control AUX del canal y eleve el atenuador. Compruebe el nivel AUX RETURN.
<b>No sale ningún sonido de los auriculares.</b>	Suba el control MONITOR/PHONES. Asegúrese de que el interruptor MONITOR SELECT está fijado correctamente.
<b>Al hacer la grabación "overdub", no se oye el instrumento que está tocando.</b>	Eleve el atenuador para el módulo de entrada. Asegúrese de que el interruptor MONITOR SELECT esté puesto en CUE. Eleve la guía de deslizamiento de CUE.
<b>La sincronización de cinta no funciona correctamente.</b>	Asegúrese de que el nivel de grabación de la señal FSK está puesto en aproximadamente +3 dB. Asegúrese de no estar usando una cinta demasiado desgastada. Revise su manual del secuenciador para hallar más información. Si está utilizando un convertidor MIDO a FSK, asegúrese de que esté correctamente conectado.

## Mantenimiento del MT50

El MT50 necesita un mantenimiento regular para seguir estando en óptimas condiciones de funcionamiento. Si se lleva a cabo los siguientes sencillos procedimientos de mantenimiento con una periodicidad regular, su MT50 será su fiel compañero musical durante muchos años.

- Limpie los cabezales de grabación, cabezales móviles y rodillos. (Consulte las “Precaucioes” que hay al inicio de esta guía del usuario).
- Desmagnetice el cabezal de grabación a intervalos regulares.

### Limpieza del cabezal de grabación y componentes cercanos

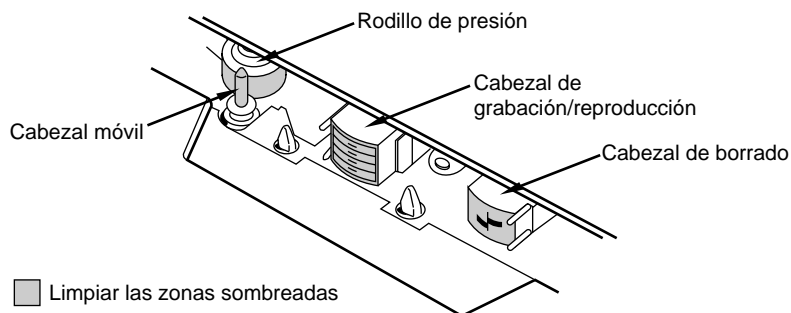
Los cabezales de grabación son los componentes delicados que entran en contacto con la cinta de grabación. Con el tiempo tienden a verse cubiertos por un residuo de óxido y necesitan limpieza. (De no ser así, pronto observará que en sus grabaciones hay una falta de altas frecuencias).

Los componentes que hay alrededor - llamados cabezales móviles y rodillos - también tienden a verse cubiertos por residuos y partículas de polvo. (De esta forma aumenta la ululación y ruidos parásitos de sus grabaciones).

Para limpiar los cabezales de grabación y los cabezales móviles, utilice un kit de limpieza de cabezales. Estos kits incluyen generalmente bolas de algodón fabricadas especialmente para este propósito y una solución de limpieza basada en alcohol isopropílico, y están disponibles en las tiendas de audio y de electrónica. Siga las direcciones que aparecen en el kit, limpiando cuidadosamente el cabezal de grabación y el cabezal móvil con una bolita de algodón empapada en solución limpiadora.

Es mejor limpiar los rodillos con una solución de limpieza de caucho no basada en alcohol, que a menudo se incluye en los kits de limpieza. El alcohol tiende a secarse y a corroer la parte de caucho del rodillo.

Limpie estos componentes a menudo, transcurridas nunca más de diez horas de grabación. Si el cabezal se ensucia, el MT50 puede sonar distorsionado o ruidoso. En casos graves, el MT50 puede no ser capaz de reproducir o grabar en absoluto. Si desea usted resultados óptimos de una sesión de grabación, es mejor limpiar los cabezales antes de la sesión.



## **Desmagnetización del cabezal de grabación**

A medida que la cinta de grabación pasa encima del cabezal de grabación, tiende a impartir una pequeña cantidad de magnetismo al cabezal. El cabezal recoge este magnetismo durante cierto tiempo, magnetizándose lentamente. Es preciso desmagnetizar el cabezal utilizando un desmagnetizador de cabezales que se puede adquirir en una tienda. (También se pueden adquirir en la mayor parte de las tiendas de audio y electrónica). Lea cuidadosamente las direcciones que aparecen en el desmagnetizador. Si no utiliza correctamente el desmagnetizador, podría dañar seriamente el cabezal de grabación. Además, mantenga las cintas grabadas alejadas del desmagnetizador cuando lo esté utilizando; el desmagnetizador puede borrar accidentalmente sus cintas.

Es mejor desmagnetizar el cabezal de grabación transcurridas nunca más de diez horas de grabación. Si planea usted una sesión especial, sería una buena idea limpiar y desmagnetizar el cabezal antes de dicha sesión para asegurar la consecución de los mejores resultados en cuanto al sonido.

# Especificaciones

## Especificaciones generales

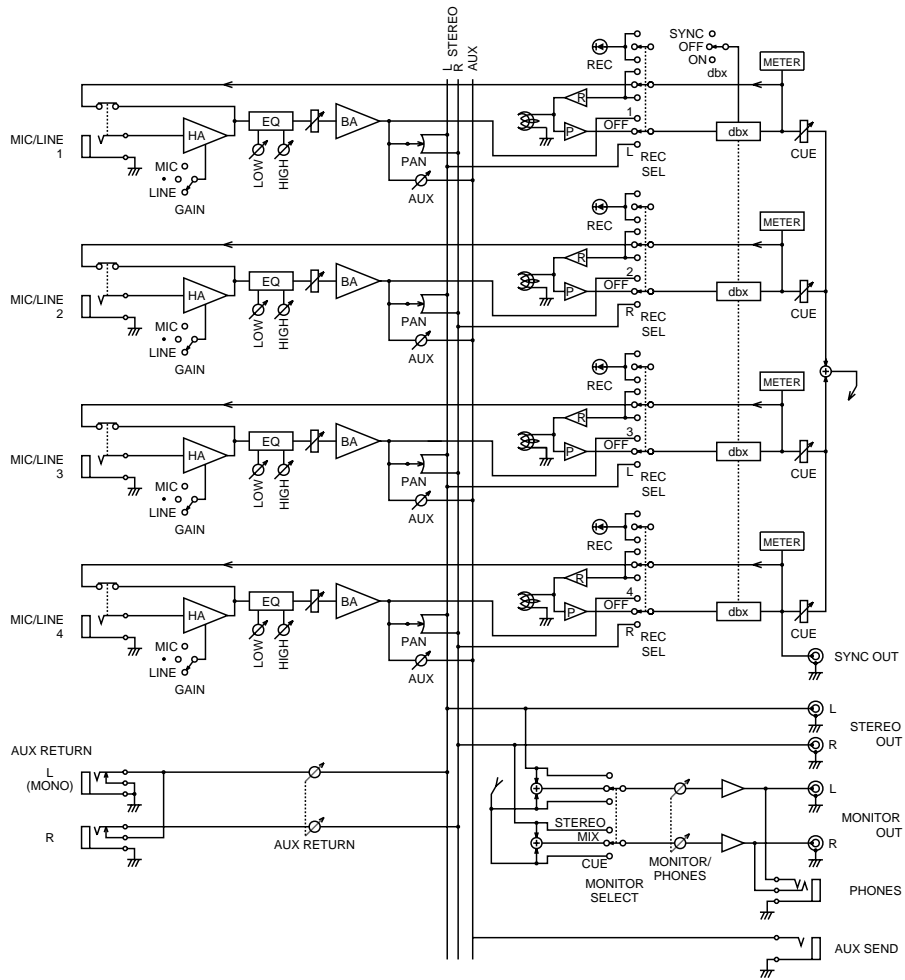
Transporte de la cinta	Tipo de cinta	Cassette C 46-90 (Tipo II High Bias 70 $\mu$ s. EQ)
	Formato de la pista	4 pistas
	Sistema de cabezales	4 canales grabación/reproducción (cabezal duro de permalloy)
		Borrado de 4 canales (cabezal de ferrita)
	Motor	Servo DC
	Velocidad de la cinta	9,5 cm/seg.
	Control de tono	$\pm 10\%$
	Fluctuación y trémolo	0,12% W. RMS
Tiempo de rebobinado	Cinta C60 $\rightarrow$ Aproximadamente 120 segundos	
Especificaciones del mezclador	Respuesta en frecuencia	MIC IN a STEREO OUT, LINE IN a STEREO OUT, LINE IN a PHONES OUT: 20 Hz-20 kHz +1, -4 dB
	Relación señal/ruido	MIC IN a STEREO OUT: 68 dB IHF-A (GAIN: MIC)
		LINE IN a STEREO OUT: 70 dB, IHF-A (GAIN: LINE)
	EQ	LOW: $\pm 12$ dB, 80 Hz, declive
HIGH: $\pm 12$ dB, 12 kHz, declive		
Especificaciones del registrador	Respuesta en frecuencia	40 Hz-16 kHz +3, -5 dB (dbx* OFF)
	Relación señal/ruido (@ 3% THD)	85 dB (dbx* ON, IHF-A)
	Distorsión	1,5% (400 Hz -10 dB nivel de grabación)
	Tasa de borrado	55 dB (1 kHz, 0 dB nivel de grabación, dbx* OFF)
	Reducción de ruido	dbx*
Conexiones	MIC/LINE	Impedancia de entrada: 10 kohmios
		Nivel de entrada nominal: -10, -30, -50 dB (atenuador nominal)
		Nivel de entrada mínimo: -56 dB (control de ganancia MIC, atenuador máximo).
		Nivel de entrada máximo: + 6 dB (control de ganancia LINE, atenuador nominal)
	AUX RETURN L/R	Impedancia de entrada: 10 K ohmios
		Nivel de entrada nominal: -10 dB (AUX RETURN control nominal)
		Nivel de entrada mínimo: -16 dB (AUX RETURN control máximo)
	STEREO OUT L/R	Impedancia de salida: 1 K ohmio Impedancia de carga nominal: 10 K ohmios Nivel de salida nominal: -10 dB (10 K ohmios carga)
	AUX SEND	
	MONITOR OUT L/R	
SYNC OUT		
PHONES (Estéreo)	Impedancia de carga nominal: 8-40 ohmios	
	Nivel de salida máximo: 30 mW (40 ohmios carga)	
General	Alimentación	Adaptador de CA (PA-1206)
	Dimensiones (An $\times$ Al $\times$ Fd)	337 $\times$ 69,3 $\times$ 231 mm
	Peso	1,7 kg
	Opción	Interruptor de pie FC5 para grabación punch in/out.

0 dB = 0.775 V rms

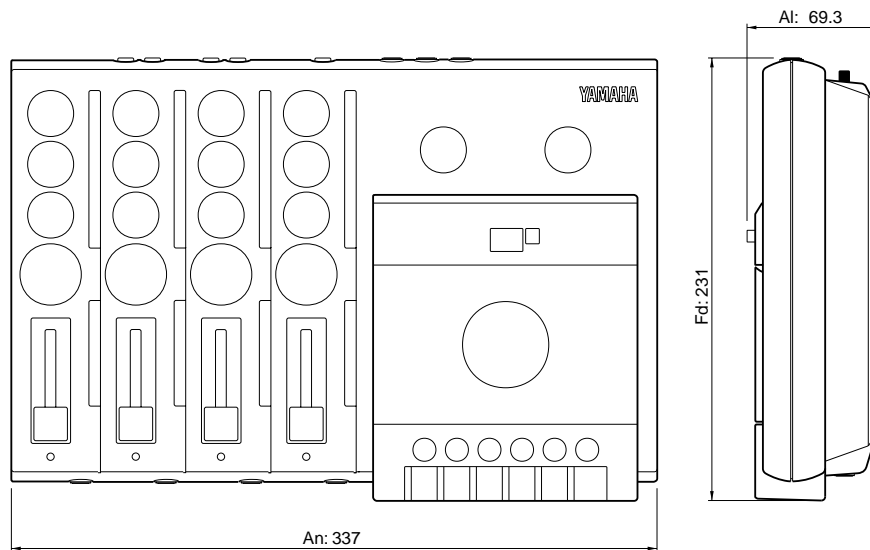
\* El sistema de reducción de ruido dbx se ha fabricado basándose en una licencia de patente de THAT Corporation.  
dbx es una marca registrada de Carillon Electronics Corporation.

Todas las especificaciones están sujetas cambios sin previo aviso.

## Diagramas en Bloques



## Dimensiones



# Glosario

---

**Atenuador** — Cada módulo contiene un atenuador, se trata de una guía de deslizamiento muy larga que controla el nivel de entrada durante la grabación y el nivel de salida durante la reproducción.

**AUX RETURN (Retorno auxiliar)** — El control AUX RETURN determina la cantidad de señal que es dirigida hacia el MT50 a través de los conectores de entrada AUX RETURN (generalmente después de ser procesada por una unidad de efectos externos conectada al envío auxiliar (AUX SEND)).

**AUX SEND (Envío Auxiliar)** — Cada módulo incluye un control de envío auxiliar (AUX SEND) que determina la cantidad de señal dirigida hacia el conector de salida de envío auxiliar (AUX SEND) (generalmente para ser procesado por una unidad de efectos externos).

**Cabezal** — Es el delicado componente metálico que entra en contacto con la cinta magnética de grabación comunicando la señal que va siendo grabada.

**Cabezal móvil** — Es el componente estilizado, tipo espiga que está junto al rodillo. La cinta pasa entre el cabezal móvil y el rodillo.

**Control MONITOR/PHONES** — Controla la cantidad de señal dirigida hacia los altavoces a través de las tomas MONITOR OUT izquierda y derecha, o a la toma de auriculares.

**DAT (Cinta de Audio Digital)** — Cinta de audio que graba una señal digital, por oposición a señal analógica, en una cinta magnética de grabación. Las máquinas DAT se usan a menudo como aparatos de grabación principales.

**Desmagnetizador** — Un dispositivo manual con forma de pequeña varilla unido a un cable eléctrico. El desmagnetizador elimina el campo magnético que se suele formar sobre el cabezal de grabación y resulta una pieza clave para el mantenimiento de cualquier registrador de cintas.

**Entrada MIC/LINE** — Cada módulo incluye una entrada MIC/LINE donde conectar un instrumento musical o un aparato electrónico para grabación.

**Equalización (EQ)** — Es el proceso de ajustar (amplificar o cortar) las gamas de frecuencia altas y bajas para conseguir un sonido óptimo. Cada módulo contiene los dos controles de equalización Alto (HIGH) y Bajo (LOW), que funcionan de forma muy similar a los controles de graves y agudos de un sistema estereofónico de alta fidelidad.

**FSK (Codificación del cambio de frecuencia)** — Es un dispositivo que traduce los datos del reloj MIDI en frecuencias que pueden ser grabadas para ser utilizadas a la hora de sincronizar.

**Grabación One Take** — Es la grabación de varios instrumentos simultáneamente (cuatro en el MT50) para una posterior mezcla. Es excelente para grabar una banda actuando en vivo.

**Grabación “overdub”** — Consiste en grabar una pista mientras se escucha otra pista o pistas. Es excelente para grabar múltiples instrumentos en secuencia, como por ejemplo una canción de demostración.

**Grabación Ping-Pong** — También conocida como “rebote”. Es la transferencia de una grabación desde una pista hasta otra para aumentar de forma eficaz el número de pistas disponibles para seguir grabando.

**Grabación Punch In/Out** — Es una técnica de grabación que se utiliza principalmente para corregir errores al volver a grabar encima de una parte pequeña de una pista.

**Guía de deslizamiento de CUE** — Cada módulo incluye una guía de deslizamiento de CUE, que controla la cantidad de señal dirigida al camino de la señal de CUE. El interruptor MONITOR SELECT incluye un ajuste para realizar el control mediante el CUE.

**Hoja de seguimiento** — Es un diagrama donde aparece en una lista lo que se va a grabar en cada pista y en qué orden.

**Interruptor GAIN** — Diferentes instrumentos musicales y dispositivos producen diferentes niveles de señal. La ganancia es una medida de la relación entre la entrada y la salida electrónica. Cada módulo incluye un interruptor GAIN que se puede poner en niveles de línea, instrumento o micrófono.

**Mezcla estereofónica** — Una mezcla de dos pistas con canales estereofónicos izquierdo y derecho. Es el producto final de una sesión de mezclas.

**Mezclas** — Es el proceso de grabación mediante el cual se combinan múltiples pistas (a menudo cuatro) en una mezcla estereofónica.

**MIDI (Interface Digital de Instrumento Musical)** — Es un formato de datos digitales normalizado para así asegurar la compatibilidad entre instrumentos musicales electrónicos provenientes de diferentes fabricantes.

**Módulo** — El MT50 incluye cuatro módulos, que son los grupos o columnas de controles idénticos del lado izquierdo del MT50.

**Multipista** — Es una grabación de audio en la cual un registrador de cinta multipista crea múltiples pistas independientes (cuatro en el MT50) en una cinta magnética, permitiendo el control y procesamiento de instrumentos y señales individuales.

**Nivel de línea** — Es el nivel de salida de la ganancia de aparatos tales como un sintetizador, una máquina de batería, un lector de discos compactos, etc. El ajuste más bajo del interruptor GAIN.

**Nivel del instrumento** — Es el nivel de salida de la ganancia de aparatos tales como un bajo eléctrico o una guitarra eléctrica. Ponga el interruptor GAIN en aproximadamente un punto intermedio en el nivel del instrumento.

**Pan** — Son controles que desplazan una señal a la derecha o a la izquierda en una imagen estereofónica. Proviene de la palabra “panorámica”. Cada módulo incluye un control PAN.

**Pista** — Es una banda física de una cinta de grabación creada por un cabezal de grabación. El MT50 crea cuatro pistas en una cara de un cassette de audio normal.

**Post-atenuador** — Los envíos auxiliares del MT50 están configurados como post-atenuador, lo cual significa que la señal del envío auxiliar surge después de atravesar el atenuador. Para dirigir una señal hacia un procesador de efectos externos a través del envío auxiliar, suba el control AUX y eleve el atenuador. La ventaja que se obtiene es que se podrá atenuar simultáneamente tanto el canal como las señales del envío auxiliar. Compárelo con el Pre-atenuador .

**Pre-atenuador** — La señal surge antes de atravesar el atenuador, por lo tanto, el atenuador no tiene ya control sobre la señal.

**Reducción de ruido dbx** — En la grabación de cintas siempre aparecen ruidos. El MT50 utiliza la reducción de ruido dbx para reducir el ruido y mantener las grabaciones claras y precisas.

**Registrador principal** — Es un segundo registrador de cinta que se utiliza durante el proceso de mezcla. El registrador principal puede ser cualquier registrador estereofónico de dos pistas, como un registrador de cassettes estándar, registrador rollo a rollo, o registrador de cintas de audio digital (DAT).

**Rodillo** — Es la pequeña rueda de caucho que hay cerca del cabezal móvil y que suaviza el movimiento de la cinta al pasar encima del cabezal.

**Sincronización** — Es la técnica de coordinar instrumentos MIDI externos con la reproducción del MT50 a través de un código de tiempo.

**Sistema de medición de tiempo de la cinta** — Se trata de aplicar un código de tiempo a la cinta que será útil para realizar la sincronización. En el MT50, se aplica el código de tiempo a la Pista 4.

**Tono** — La frecuencia relativa de un sonido musical; su grado de elevación o descenso. La guía de deslizamiento del tono (PITCH) controla el tono de la reproducción de una grabación haciendo la sintonización precisa de la velocidad a la cual la cinta gira en torno al cabezal.



# Tracking Sheet

A	Track	Instrument	Other Info	High	Low	Aux	Pan	Fader	Start	Stop	To Track
	1										
	2										
	3										
	4										

B	Track	Instrument	Other Info	High	Low	Aux	Pan	Fader	Start	Stop	To Track
	1										
	2										
	3										
	4										

C	Track	Instrument	Other Info	High	Low	Aux	Pan	Fader	Start	Stop	To Track
	1										
	2										
	3										
	4										

D	Track	Instrument	Other Info	High	Low	Aux	Pan	Fader	Start	Stop	To Track
	1										
	2										
	3										
	4										